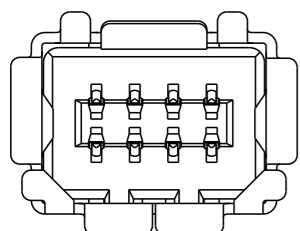
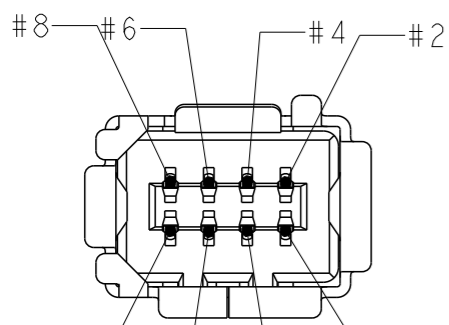
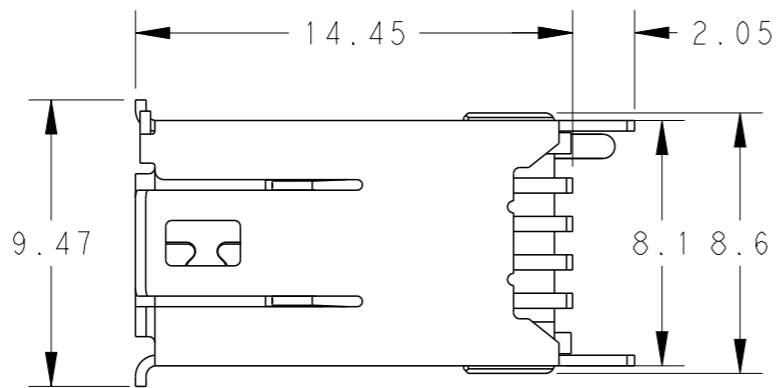


THIS DRAWING IS UNPUBLISHED. RELEASED FOR PUBLICATION  
 © COPYRIGHT - BY - ALL RIGHTS RESERVED.

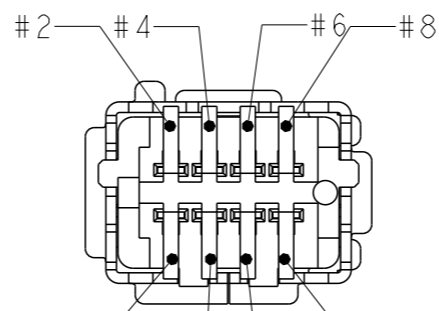
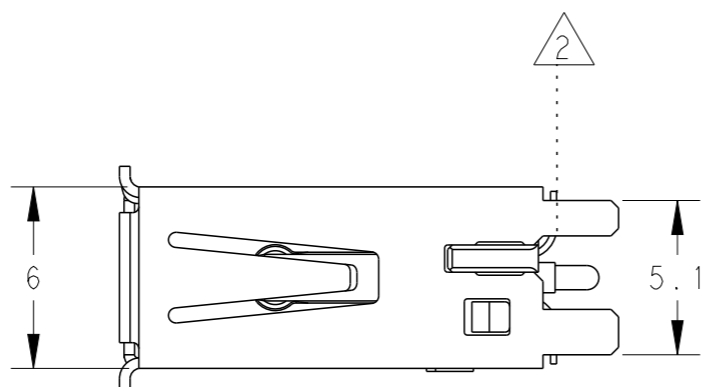
LOC	DIST	REVISIONS			
P	LTR	DESCRIPTION	DATE	DWN	APVD
-	-	A	NEW RELEASE	14DEC2015	L.Z. X.X.
		B	ECR-16-006831 PACKAGE TRAY CHANGE	04MAY2016	L.Z. X.X.
		C	ECR-18-010755	11NOV2018	GCM PP



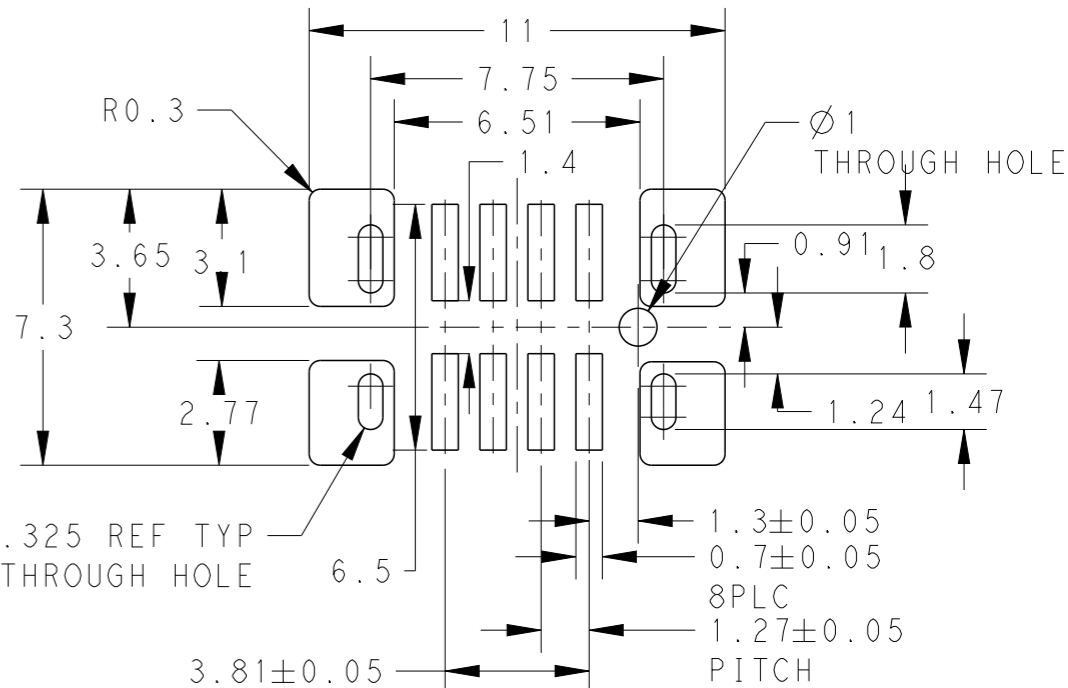
2271656-2  
TYPE II



2271656-1  
TYPE I



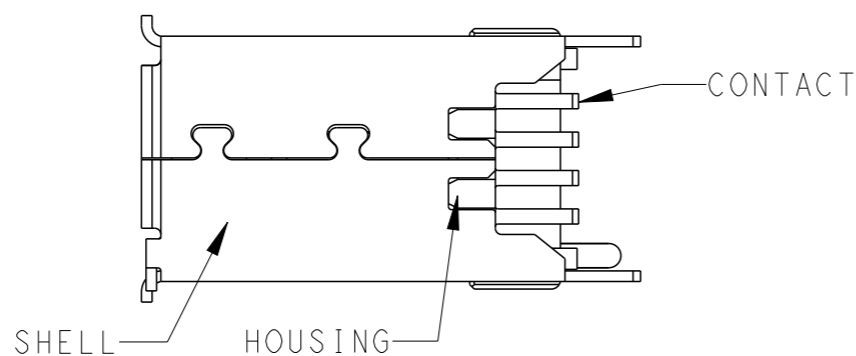
CIRCUIT NO



RECOMMENDED BOARD DIMENSION  
 t=1.6  
 SCALE 5:1  
 GENERAL TOL.: ±0.1

POS	DESCRIPTION	PART NO
8	TYPE II SMT RECEPTACLE WITH CAP ON EMOSS TAPE	2-2271656-2
8	TYPE I SMT RECEPTACLE WITH CAP ON EMOSS TAPE	2-2271656-1
8	TYPE II SMT RECEPTACLE WITH CAP	1-2271656-2
8	TYPE I SMT RECEPTACLE WITH CAP	1-2271656-1
8	TYPE II SMT RECEPTACLE	2271656-2
8	TYPE I SMT RECEPTACLE	2271656-1

NOTES:  
 1 MATERIAL AND FINISH  
 CONTACT: COPPER ALLOY  
 UNDER ALL SURFACE NICKEL 1.27µm MIN.  
 TOP CONTACT AREA: GOLD 0.5µm MIN  
 SOLDERING AREA: TIN PLATE  
 HOUSING: THERMO PLASTIC(UL94V-0)  
 SHELL: COPPER ALLOY  
 UNDER ALL SURFACE NICKEL  
 TOP ALL SURFACE TIN  
 2 COPLANARITY 0.1 MAX  
 (IN 8 TIPS OF CONTACTS )  
 3 GENERAL TOL.: ±0.3; ±5°



THIS DRAWING IS A CONTROLLED DOCUMENT.	
DIMENSIONS: mm	TOLERANCES UNLESS OTHERWISE SPECIFIED: 0 PLC ±- 1 PLC ±- 2 PLC ±- 3 PLC ±- 4 PLC ±- ANGLES ±- FINISH -
MATERIAL -	FINISH -

DWN	01DEC2015
CHK	01DEC2015
APVD	01DEC2015
PRODUCT SPEC	108-106087
APPLICATION SPEC	-
WEIGHT	-
CUSTOMER DRAWING	

**STE** TE Connectivity

NAME: SMT VERTICAL MINI I/O RECEPTACLE  
 1.27mm PITCH

SIZE	CAGE CODE	DRAWING NO	RESTRICTED TO
A3	-	©-2271656	-

SCALE 4:1 SHEET 1 OF 4 REV C

4

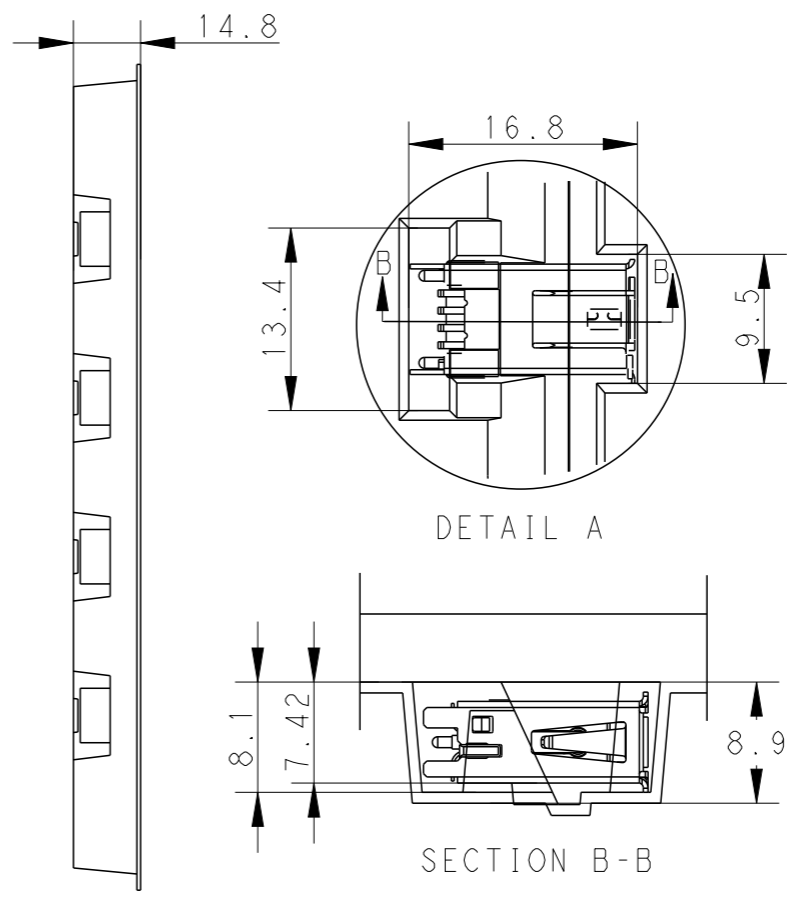
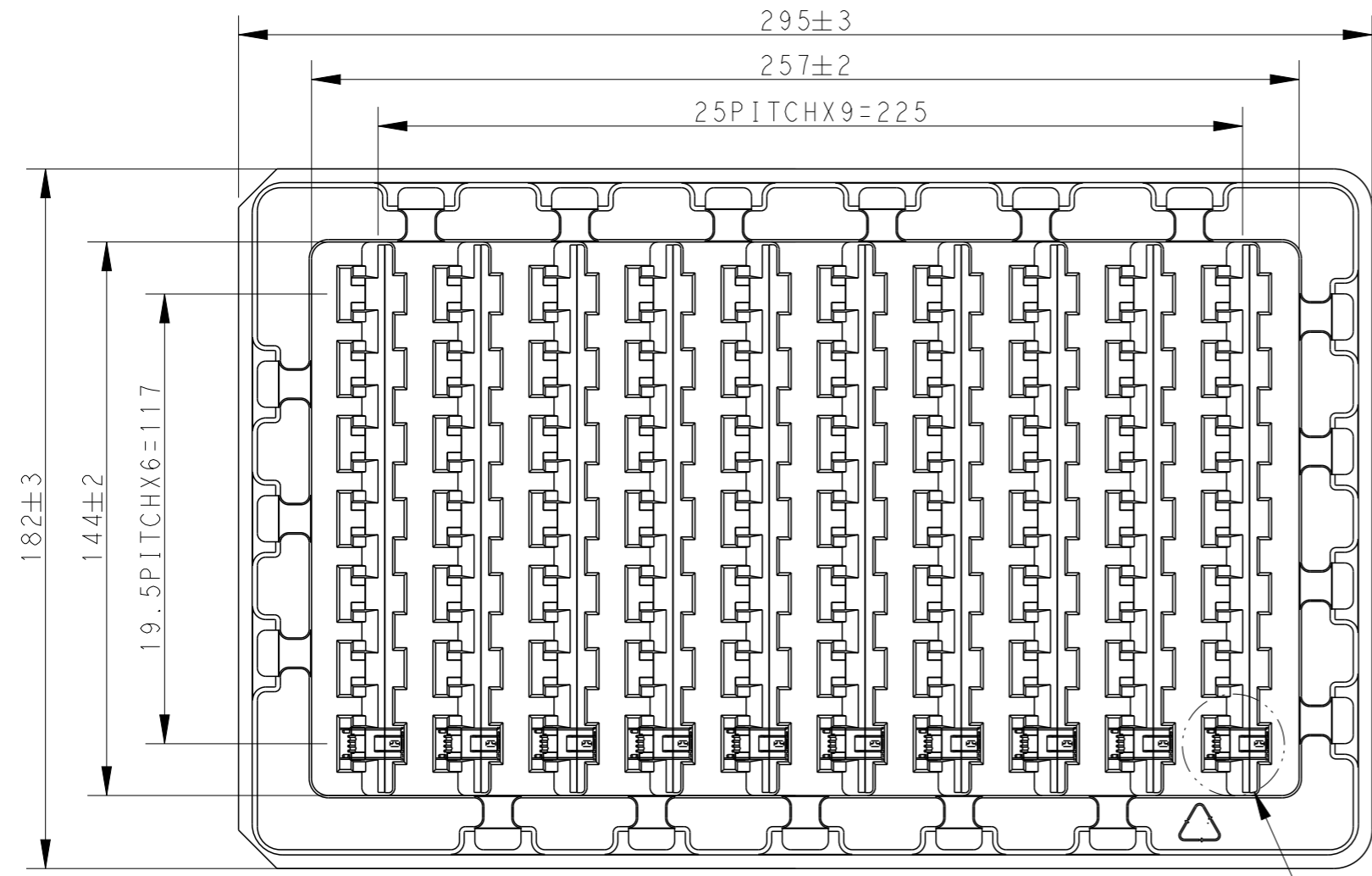
3

2

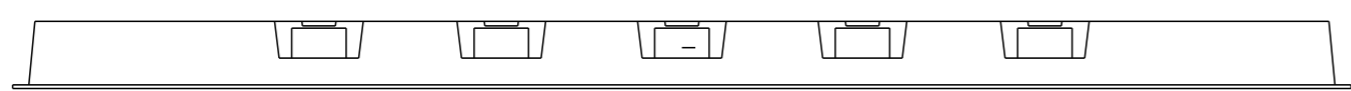
1

THIS DRAWING IS UNPUBLISHED. RELEASED FOR PUBLICATION  
 © COPYRIGHT - BY - ALL RIGHTS RESERVED.

LOC	DIST	REVISIONS			
P	LTR	DESCRIPTION	DATE	DWN	APVD
-	-	SEE SHEET 1	-	-	-



SEE DETAIL A



NOTE:  
 4 PACKAGE:  
 70PCS PER TRAY FOR 2271656-1 & 2271656-2

THIS DRAWING IS A CONTROLLED DOCUMENT.

DIMENSIONS:	TOLERANCES UNLESS OTHERWISE SPECIFIED:
mm	
	0 PLC ±-
	1 PLC ±-
	2 PLC ±-
	3 PLC ±-
	4 PLC ±-
	ANGLES ±-
MATERIAL	FINISH

DWN	01DEC2015
LEAR ZHANG	
CHK	01DEC2015
KOBBY ZHAO	
APVD	01DEC2015
XU XIANG	
PRODUCT SPEC	108-106087
APPLICATION SPEC	-
WEIGHT	-

PACKAGE AS SHOWN	2271656-2 2271656-1
DESCRIPTION	PART NO



NAME			
SMT VERTICAL MINI I/O RECEPTACLE 1.27mm PITCH			
SIZE	CAGE CODE	DRAWING NO	RESTRICTED TO
A3	-	©-2271656	-

CUSTOMER DRAWING	SCALE 4:1	SHEET 2 OF 4	REV C
------------------	-----------	--------------	-------

4

3

2

1

THIS DRAWING IS UNPUBLISHED.

RELEASED FOR PUBLICATION

© COPYRIGHT - BY - ALL RIGHTS RESERVED.

LOC	DIST	REVISIONS			
P	LTR	DESCRIPTION	DATE	DWN	APVD
-	-	SEE SHEET 1	-	-	-

295±3  
257±2  
19.5PITCHX12=234  
182±3  
144±2  
17PITCHX7=119

24

DETAIL C

11.55  
18  
8.4

SEE DETAIL C

SECTION D-D

NOTE:  
5 PACKAGE:  
100PCS PER TRAY FOR 1-2271656-1 & 1-2271656-2

THIS DRAWING IS A CONTROLLED DOCUMENT.		DWN	01DEC2015	LEAR ZHANG	
DIMENSIONS: mm		CHK	01DEC2015	KOBBY ZHAO	
TOLERANCES UNLESS OTHERWISE SPECIFIED:		APVD	01DEC2015	XU XIANG	
0 PLC ±-		PRODUCT SPEC	108-106087		
1 PLC ±-		APPLICATION SPEC	-		
2 PLC ±-		WEIGHT	-		
3 PLC ±-		CUSTOMER DRAWING	SCALE 4:1		
4 PLC ±-		FINISH	-		
ANGLES ±-		SCALE	4:1		
MATERIAL -		RESTRICTED TO	-		
FINISH -		SIZE	A3		
		CAGE CODE	-		
		DRAWING NO	C-2271656		
		SHEET	3 OF 4		
		REV	C		

PACKAGE AS SHOWN	1-2271656-2 1-2271656-1
DESCRIPTION	PART NO

**STE** TE Connectivity

SMT VERTICAL MINI I/O RECEPTACLE  
1.27mm PITCH

1470-19 (3/11)

THIS DRAWING IS UNPUBLISHED.

RELEASED FOR PUBLICATION

© COPYRIGHT - BY -

ALL RIGHTS RESERVED.

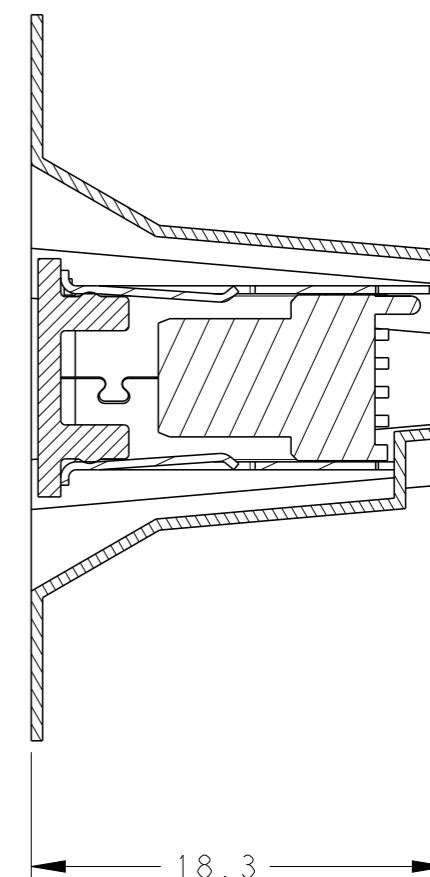
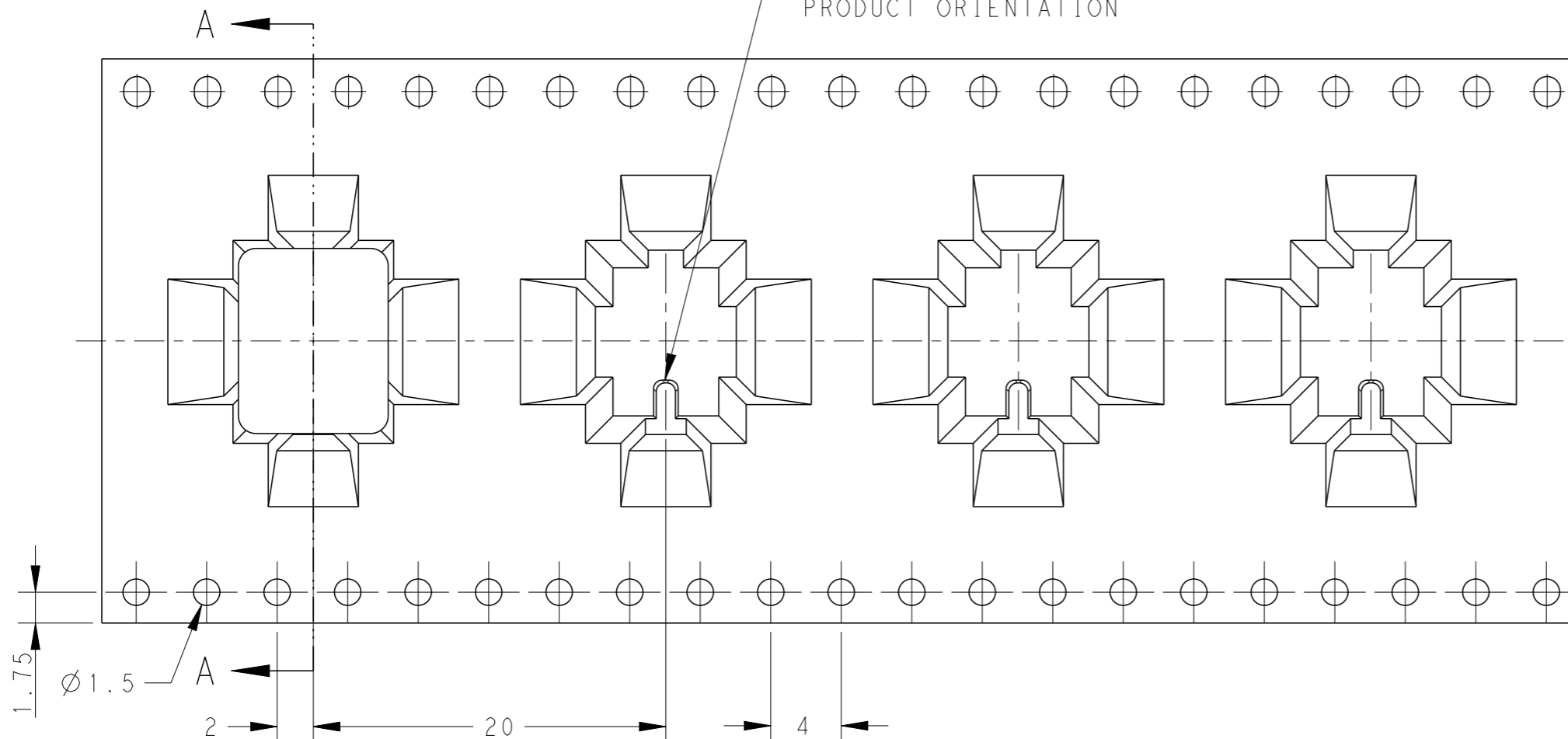
LOC - DIST -

REVISIONS

P	LTR	DESCRIPTION	DATE	DWN	APVD
-	-	SEE SHEET 1	-	-	-

CODING KEY FOR PRODUCT ORIENTATION


SECTION A - A



EMBOSS TAPE

PACKAGE AS SHOWN	2-2271656-2 2-2271656-1
DESCRIPTION	PART NO

NOTE:  
6 PACKAGE:  
240PCS PER REEL FOR 2-2271656-1 & 2-2271656-2

THIS DRAWING IS A CONTROLLED DOCUMENT.		DWN	01DEC2015	 TE Connectivity	
DIMENSIONS: mm		CHK	01DEC2015		
TOLERANCES UNLESS OTHERWISE SPECIFIED:		APVD	01DEC2015		
0 PLC ±- 1 PLC ±- 2 PLC ±- 3 PLC ±- 4 PLC ±- ANGLES ±-		PRODUCT SPEC	108-106087		
MATERIAL	-	FINISH	-	NAME	SMT VERTICAL MINI I/O RECEPTACLE 1.27mm PITCH
-		WEIGHT	-	SIZE	A3
-		CUSTOMER DRAWING	-	CAGE CODE	-
-		SCALE	4:1	DRAWING NO	©-2271656
-		SHEET	4 OF 4	RESTRICTED TO	-
-		REV	C		