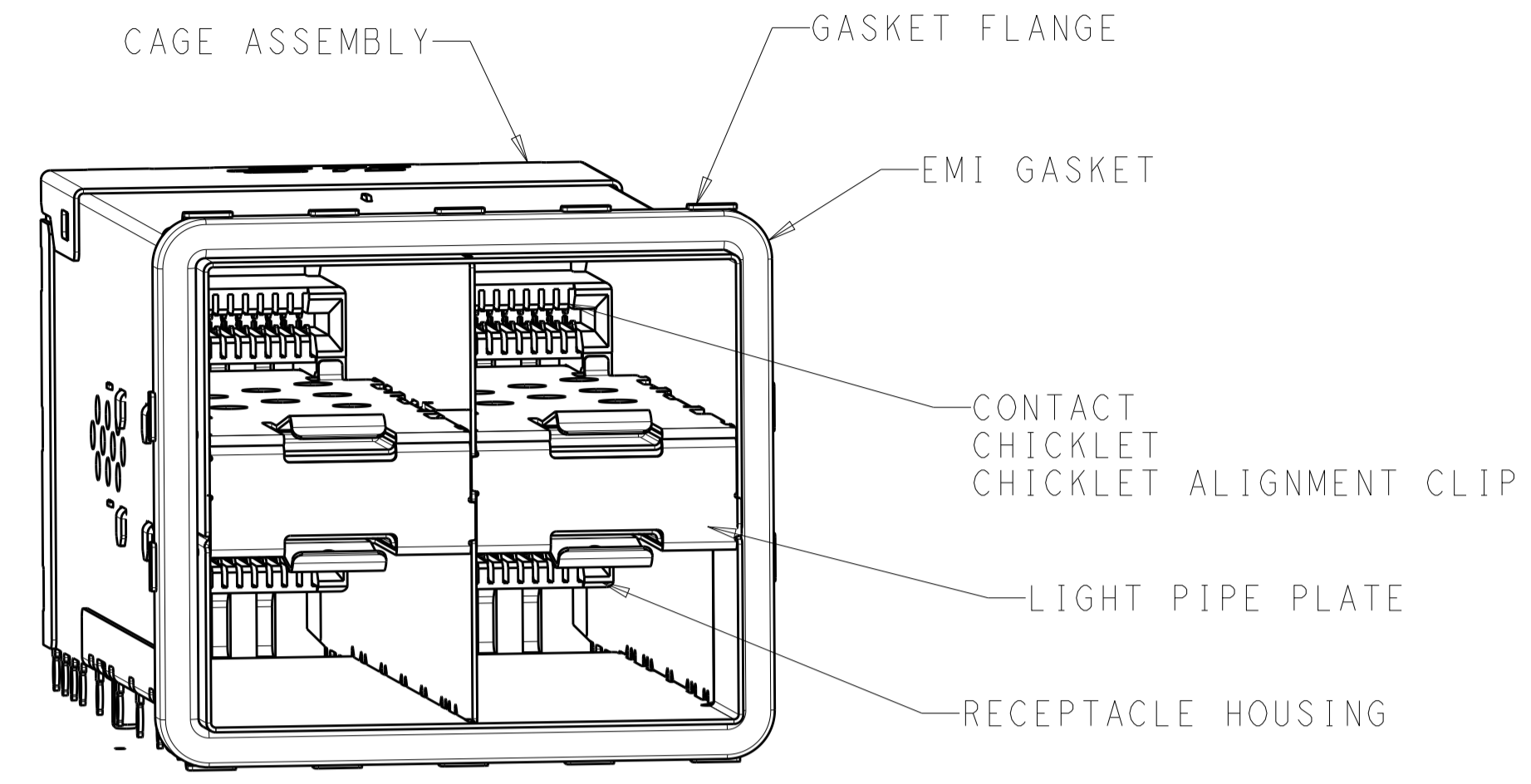
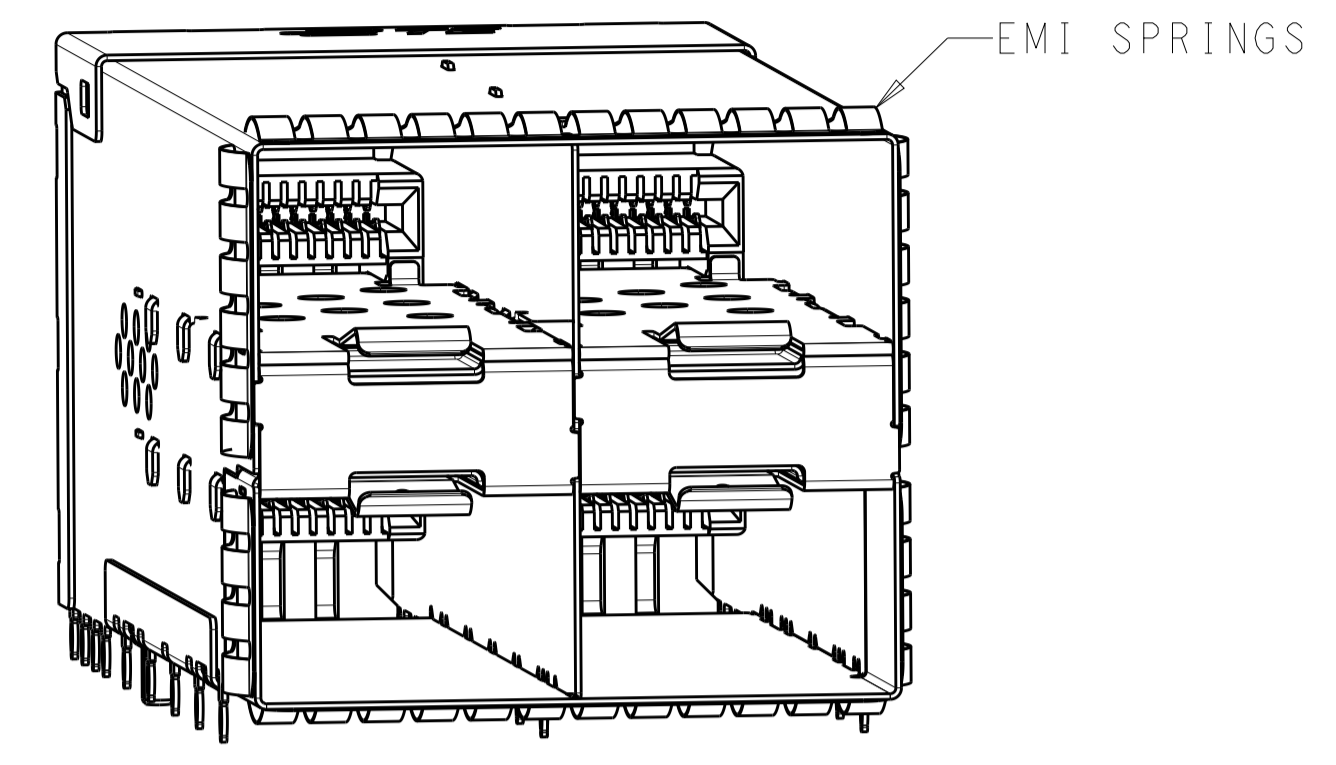


LOC		DIST		REVISIONS			
GP	00	P	LTN	DESCRIPTION	DATE	DWN	APVD
		A		PRODUCTION RELEASE	05JUN2019	JW	SH
		B		REVISED PER ECO-19-016988	23OCT2019	JY	SH
		C		REVISED PER ECO-20-004236	21FEB2020	JY	SH



2343522-1
SCALE 3:1



2343522-5
SCALE 3:1

- MATERIALS:
 CAGE ASSEMBLY - NICKEL-SILVER ALLOY PER ASTM B 122 OR WITH NICKEL PLATED FOR CUSTOMIZED SPEC
 CONNECTOR HOUSING - LCP, BLACK, UL 94V-0 RATED
 CHICKLET - LCP, BLACK, UL 94V-0 RATED
 CHICKLET ALIGNMENT CLIP - LCP, BLACK, UL 94V-0 RATED
 CONTACT - COPPER ALLOY
 EMI GASKET - ELASTOMERIC
 GASKET FLANGE - STAINLESS STEEL
 EMI SPRINGS - PHOSPHOR BRONZE PER ASTM B 103, 0.8µm MIN TIN PER ASTM B 545
 LIGHT PIPE - POLYCARBONATE
 LIGHT PIPE PLATE - STAINLESS STEEL

- CONTACT FINISH:
 CONFORMS TO THE REQUIREMENTS OF PRODUCT SPECIFICATION 108-2481, BASED ON EIA/ECA-364-1000.01A, CONTROLLED ENVIRONMENT APPLICATIONS) ON MATING INTERFACE, TIN ON NEEDLE EYE

- PCB MINIMUM THICKNESS = 1.5mm

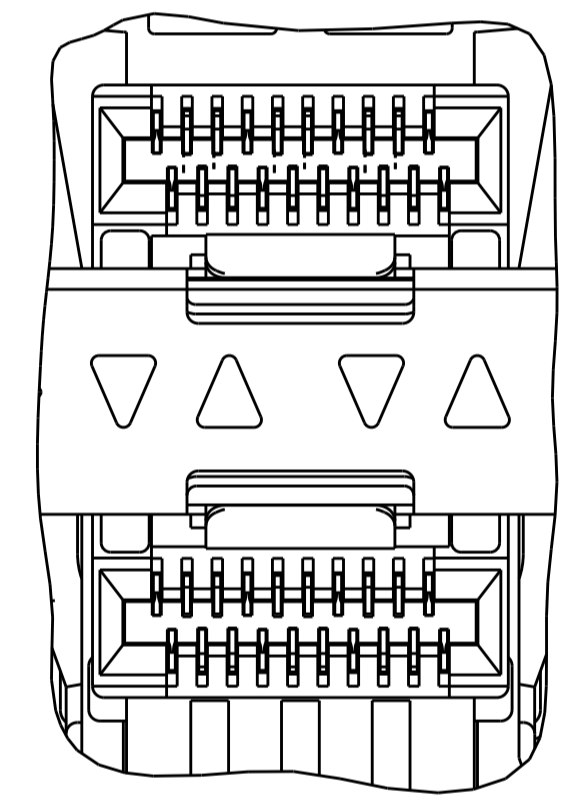
△ FOR HOLE SIZE AND PLATINGS, SEE APPLICATION SPECIFICATION 114-13319

△ LIGHT PIPE PAD LAYOUT IS FOR 0805 LOW PROFILE LED PACKAGE WITH A HEIGHT OF 0.8mm

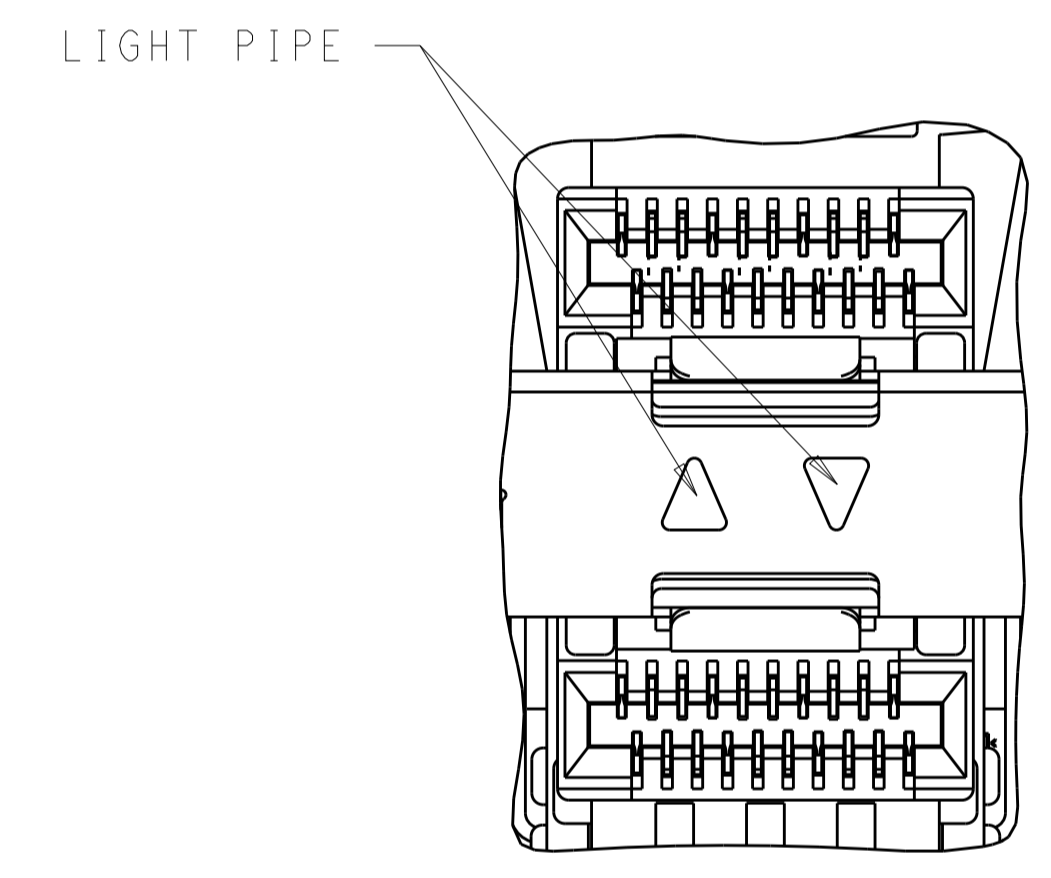
△ DIMENSIONS APPLY FOR EMI SPRINGS ONLY

△ THE ENTIRE AREA OF THE CONNECTOR FOOTPRINT, INDICATED BY THE DASHED LINE, TO BE CONSIDERED THE KEEPOUT AREA FOR COMPONENTS AND SIGNAL TRACES, TOP SIDE ONLY, TOP SIDE TRACES ALLOWED WITHIN CONNECTOR HOLE PATTERN

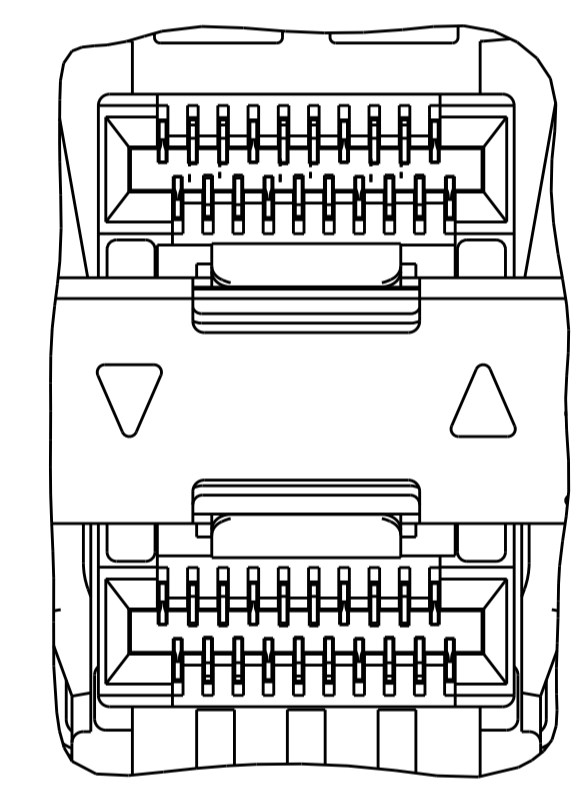
△ LOW Br/Ci AS DEFINED IN TEC-138-702.



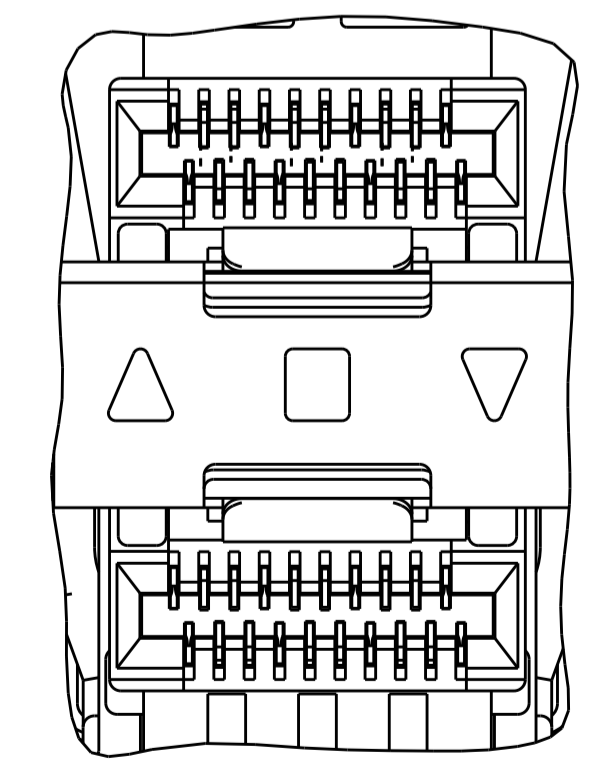
INNER/OUTER LIGHT PIPES
2343522-2, 2343522-6, 5-2343522-6
SCALE 5:1



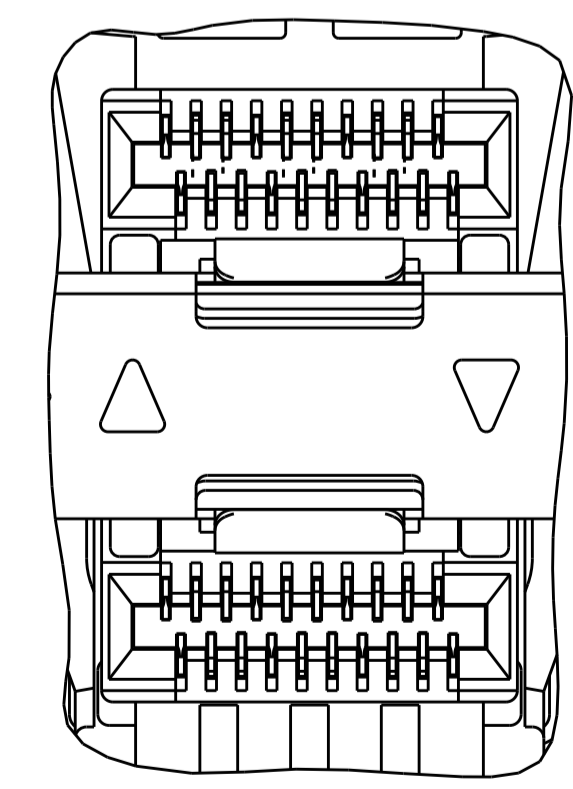
INNER LIGHT PIPES
2343522-3, 2343522-7
SCALE 5:1



OUTER LIGHT PIPES
2343522-4, 2343522-8, 5-2343522-8
SCALE 5:1



CENTER/REVERSED OUTER LIGHT PIPES
1-2343522-7, 1-2343522-9
SCALE 5:1



REVERSED OUTER LIGHT PIPES
1-2343522-8, 2-2343522-0
SCALE 5:1

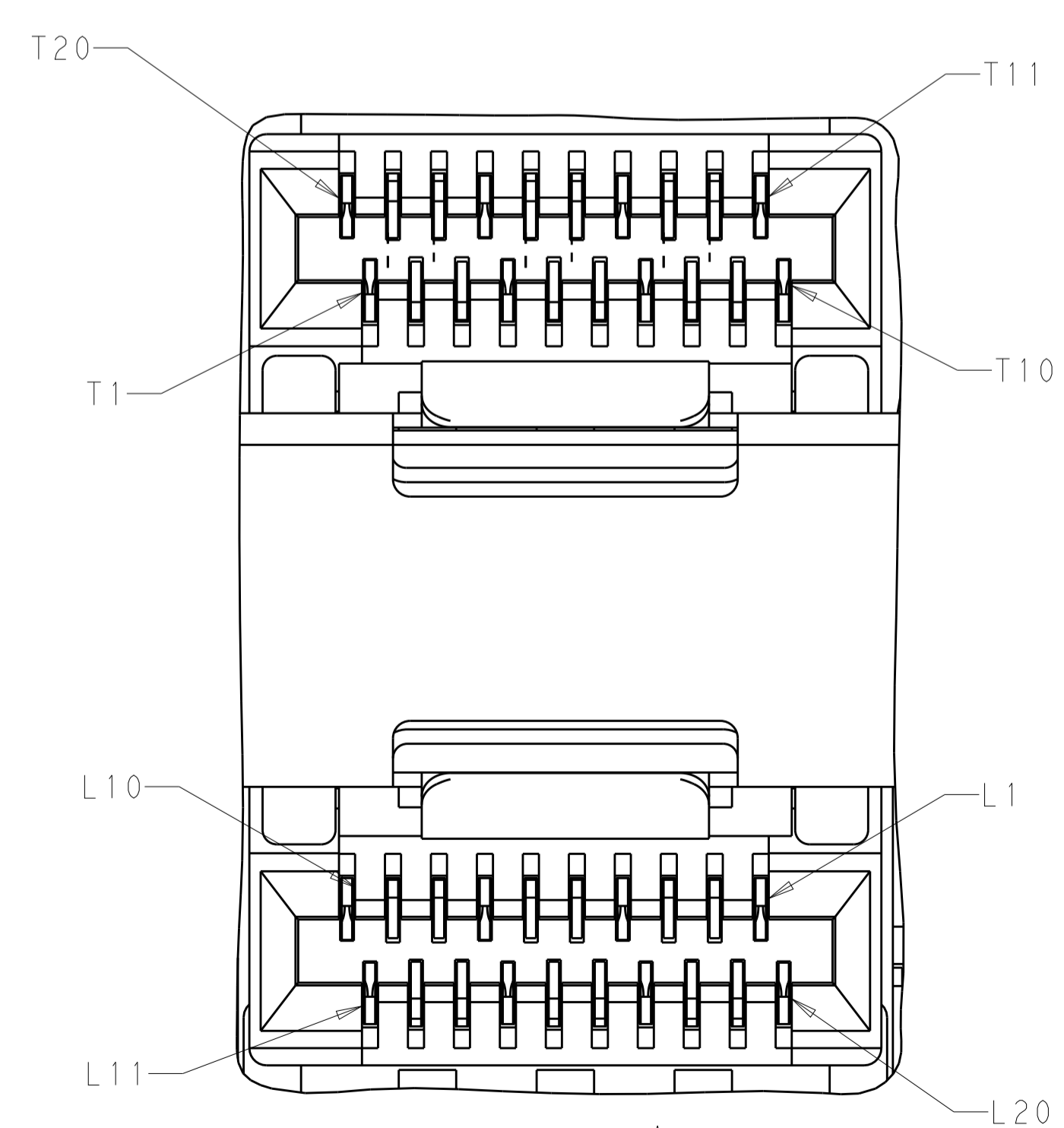
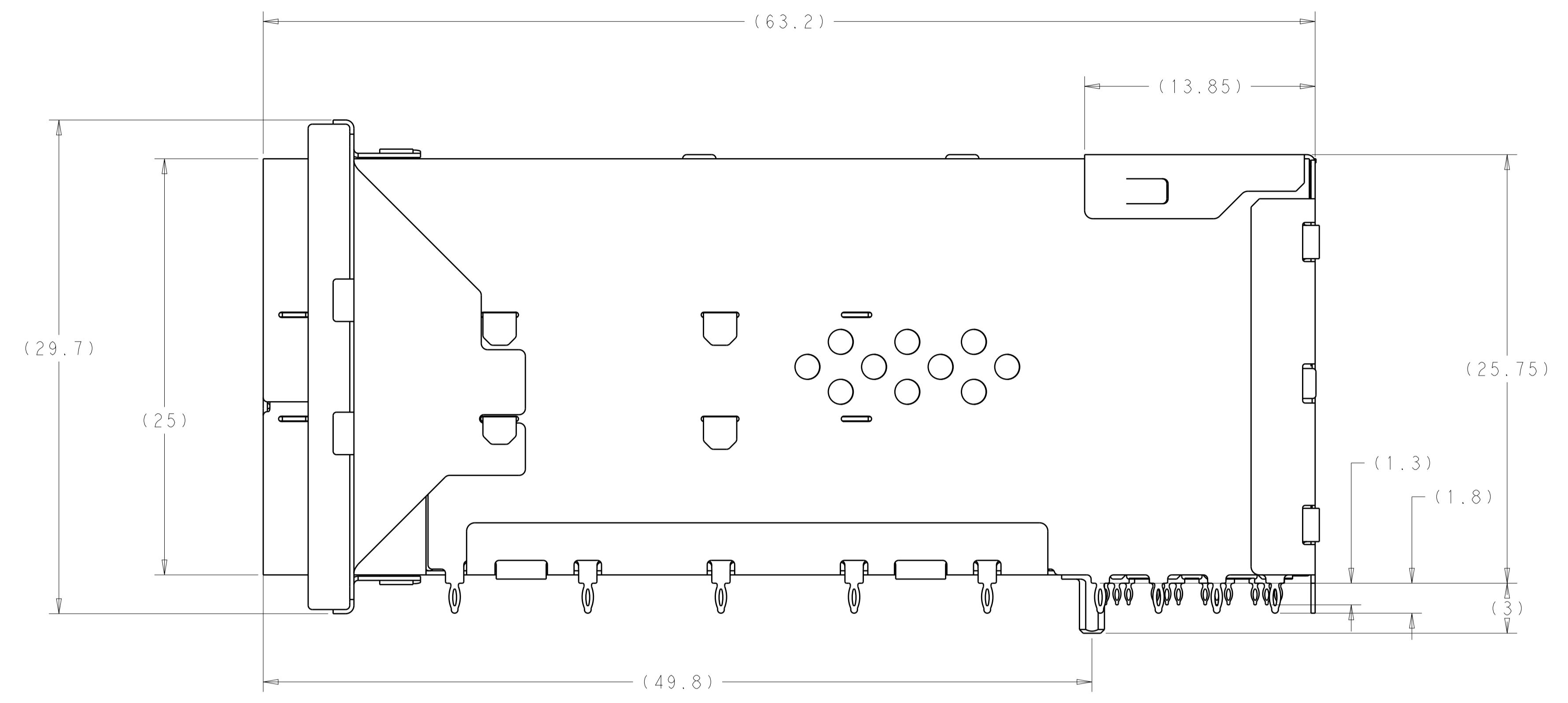
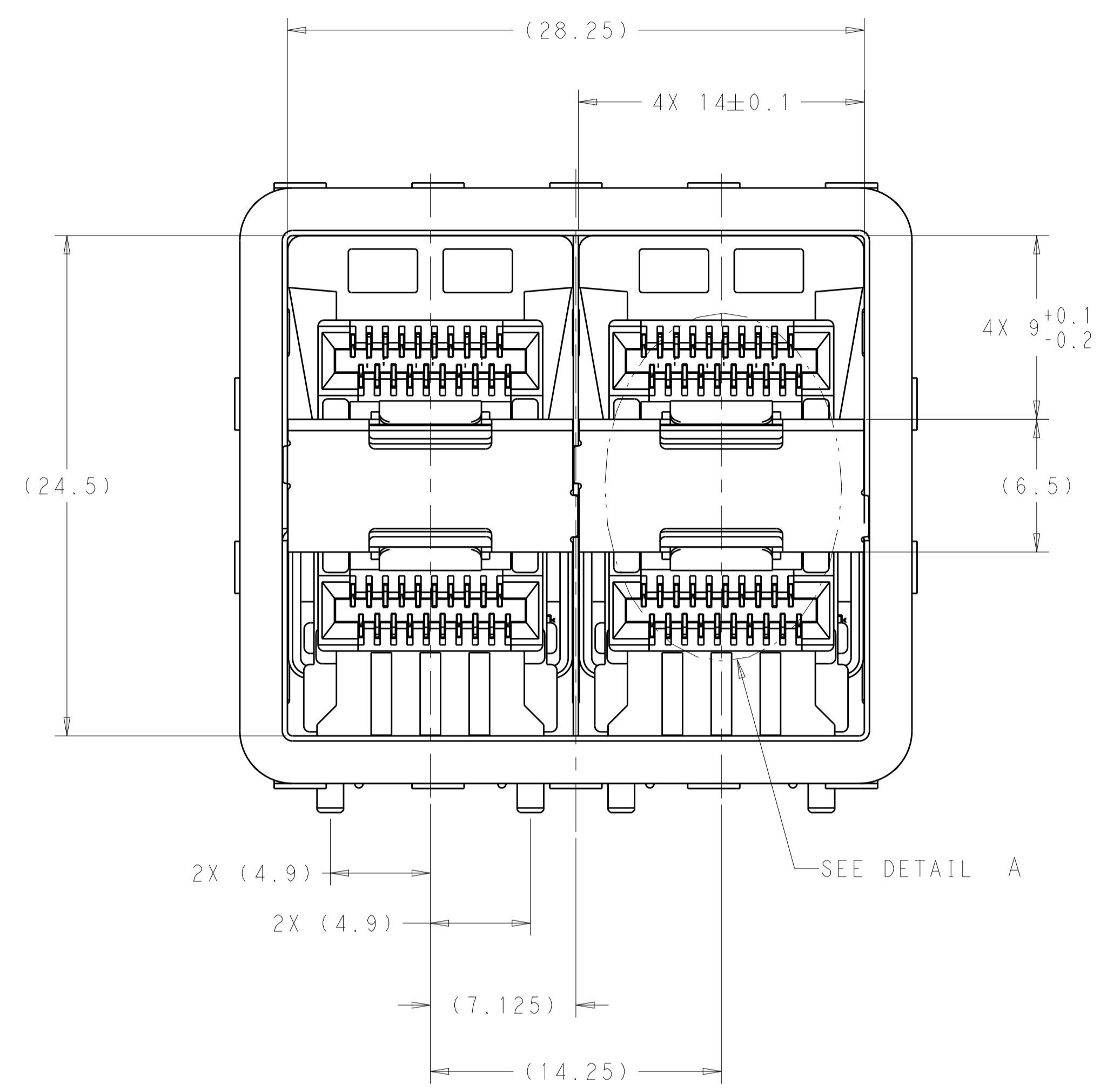
31	EMI SPRINGS CAGE W Ni PLATED	OUTER	5-2343522-8 △
31	EMI SPRINGS CAGE W Ni PLATED	INNER/OUTER	5-2343522-6 △
31	EMI SPRINGS	REVERSED OUTER	3-2343522-3
31	EMI SPRINGS	REVERSED OUTER	2-2343522-0
		CENTER/REVERSED OUTER	1-2343522-9
33.75	EMI GASKET	REVERSED OUTER	1-2343522-8
		CENTER/REVERSED OUTER	1-2343522-7
31	EMI SPRINGS	OUTER	2343522-8
		INNER	2343522-7
		INNER/OUTER	2343522-6
33.75	EMI GASKET	NONE	2343522-5
		OUTER	2343522-4
		INNER	2343522-3
33.75	EMI GASKET	INNER/OUTER	2343522-2
		NONE	2343522-1
		CAGE TYPE	LIGHT PIPE CONFIGURATION

THIS DRAWING IS A CONTROLLED DOCUMENT.

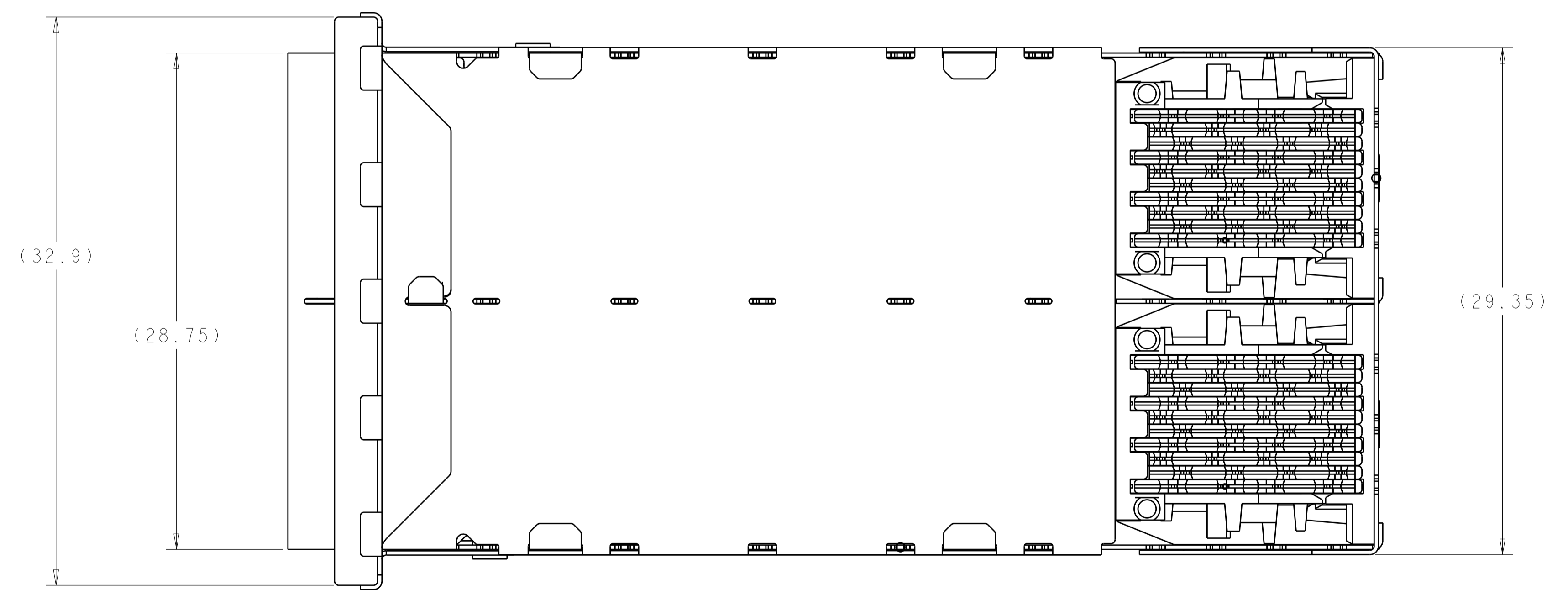
DIMENSIONS:	TOLERANCES UNLESS OTHERWISE SPECIFIED:	DWN: LEO LI 04SEP2018	CHK: SEAN HAN 04SEP2018	APVD: SEAN HAN 04SEP2018	NAME: RECEPTACLE ASSEMBLY, 2X2, STACKED, SFP56
mm	0 PLC ±0.25 1 PLC ±0.25 2 PLC ±0.25 3 PLC ±0.25 4 PLC ±0.25 ANGLES ±°	SIZE: 108-2481	CAGE CODE: 114-13319	DRAWING NO: 100779	RESTRICTED TO: -
MATERIAL: SEE NOTES	FINISH: SEE NOTES	WEIGHT: -	CUSTOMER DRAWING	SCALE: 4:1	SHEET 1 OF 6 REV C

STE TE Connectivity

LOC	DIST	REVISIONS					
GP	00	P	LTN	DESCRIPTION	DATE	OWN	APVD
		-		SEE SHEET 1			

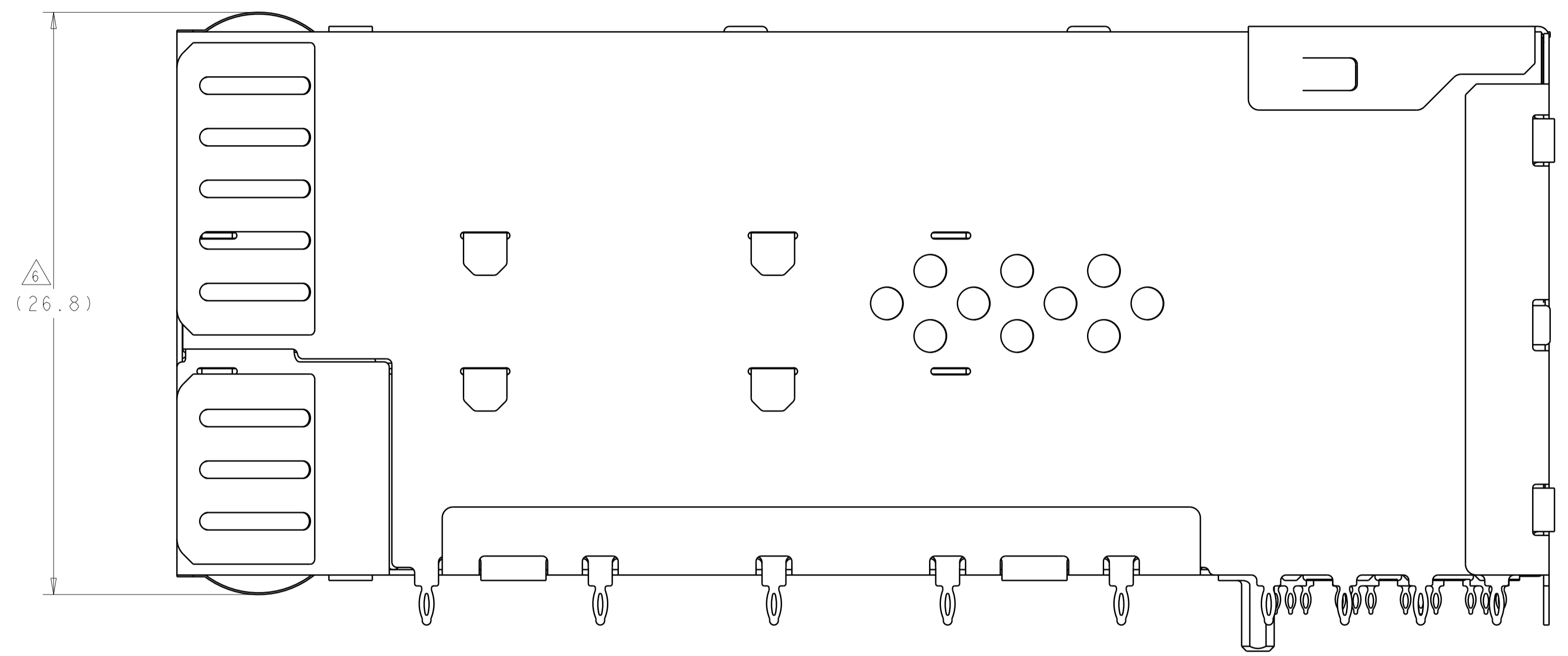
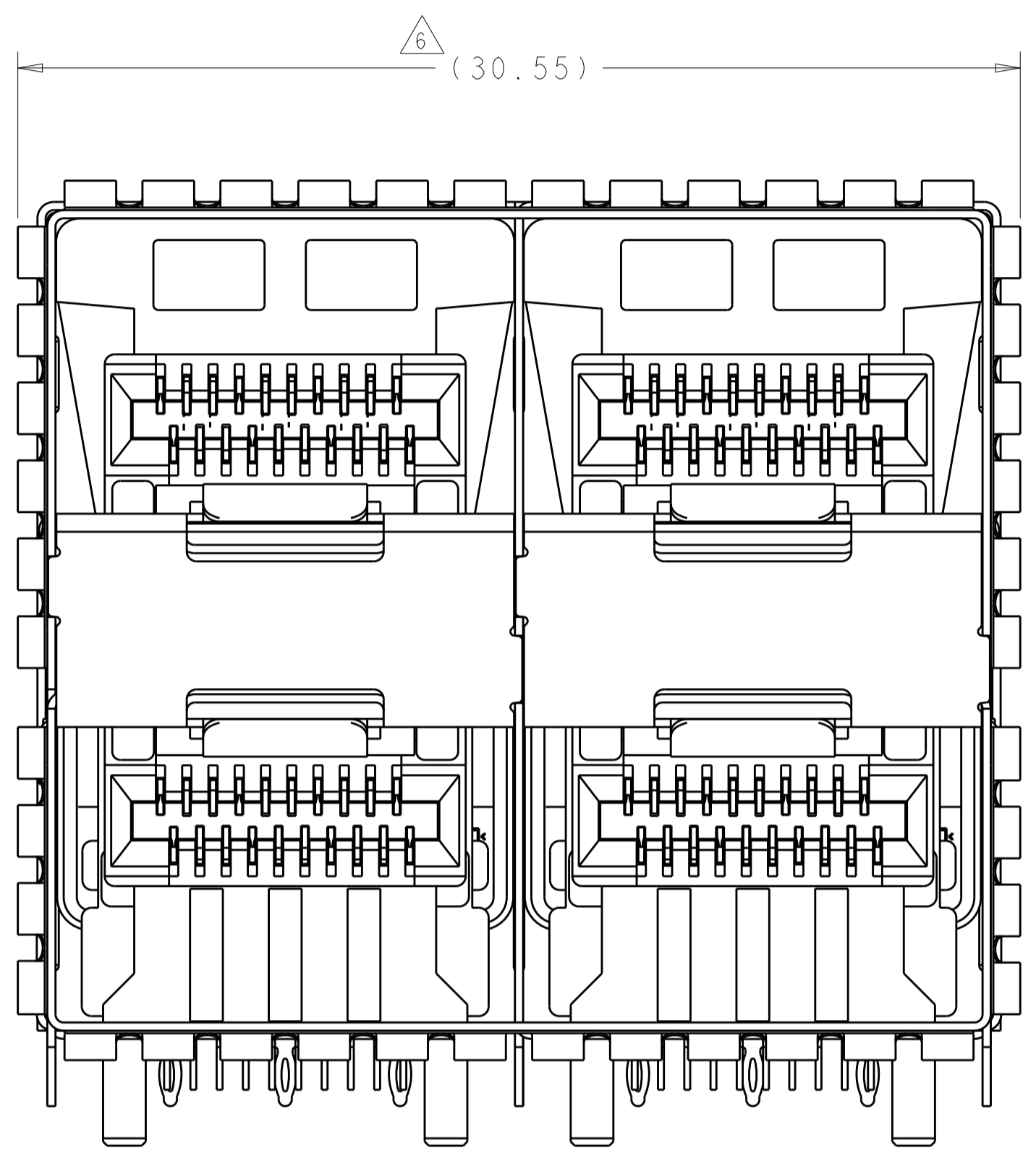


DETAIL A
 2 PLACES
 SCALE 10:1



THIS DRAWING IS A CONTROLLED DOCUMENT.		OWN: LEO LI 04SEP2018	STE TE Connectivity
DIMENSIONS: mm		CHK: SEAN HAN 04SEP2018	
TOLERANCES UNLESS OTHERWISE SPECIFIED:		APVD: SEAN HAN 04SEP2018	NAME: RECEPTACLE ASSEMBLY, 2X2, STACKED, SFP56
0 PLC ±0.25		PRODUCT SPEC: 108-2481	SIZE: 114-13319
1 PLC ±0.25		APPLICATION SPEC:	RESTRICTED TO: -
2 PLC ±0.25		FINISH: SEE NOTES	SCALE: 5:1
3 PLC ±0.25		MATERIAL: SEE NOTES	SHEET 2 OF 6
4 PLC ±0.25		WEIGHT: -	REV C
ANGLES: ±0.5°		CUSTOMER DRAWING	

LOC	DIST	REVISIONS			
P	LTN	DESCRIPTION	DATE	DMN	APVD
-	-	SEE SHEET 1	-	-	-



2343522-5 THRU 2343522-8, 1-2343522-9, 2-2343522-0,
 5-2343522-6, 5-2343522-8
 EMI SPRINGS ONLY
 SCALE 6:1

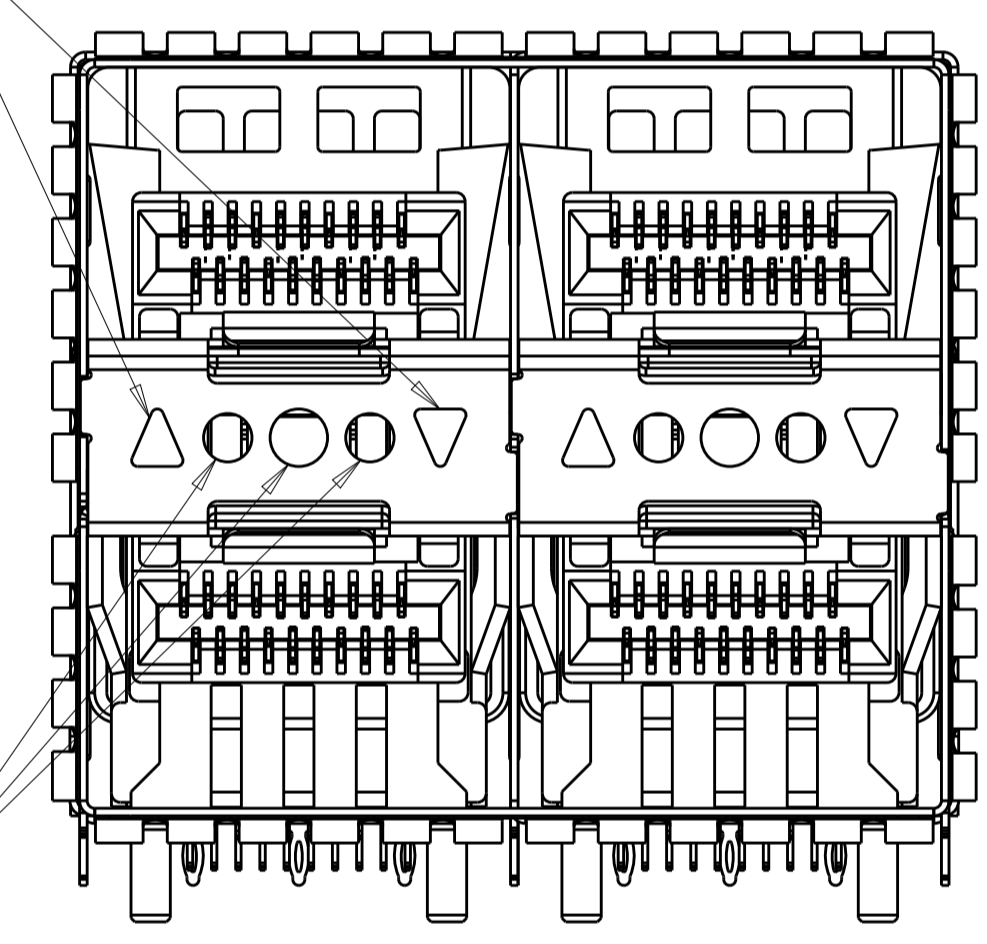
THIS DRAWING IS A CONTROLLED DOCUMENT.		DMN: LEO LI 04SEP2018	TE TE Connectivity
DIMENSIONS: mm		CHK: SEAN HAN 04SEP2018	
TOLERANCES UNLESS OTHERWISE SPECIFIED:		APVD: SEAN HAN 04SEP2018	NAME: RECEPTACLE ASSEMBLY, 2X2, STACKED, SFP56
0 PLC ±0.25		PRODUCT SPEC: 108-2481	
1 PLC ±0.25		APPLICATION SPEC: 114-13319	SIZE: A1
2 PLC ±0.25		WEIGHT: -	CAGE CODE: 2343522
3 PLC ±0.25		FINISH: SEE NOTES	RESTRICTED TO: -
4 PLC ±0.25		MATERIAL: SEE NOTES	SCALE: 4:1
ANGLES: ±4°		CUSTOMER DRAWING	SHEET 3 OF 6
REV C			

LOC		DIST		REVISIONS			
GP	00	P	LYR	DESCRIPTION	DATE	DWN	APVD
		-		SEE SHEET 1	-	-	-

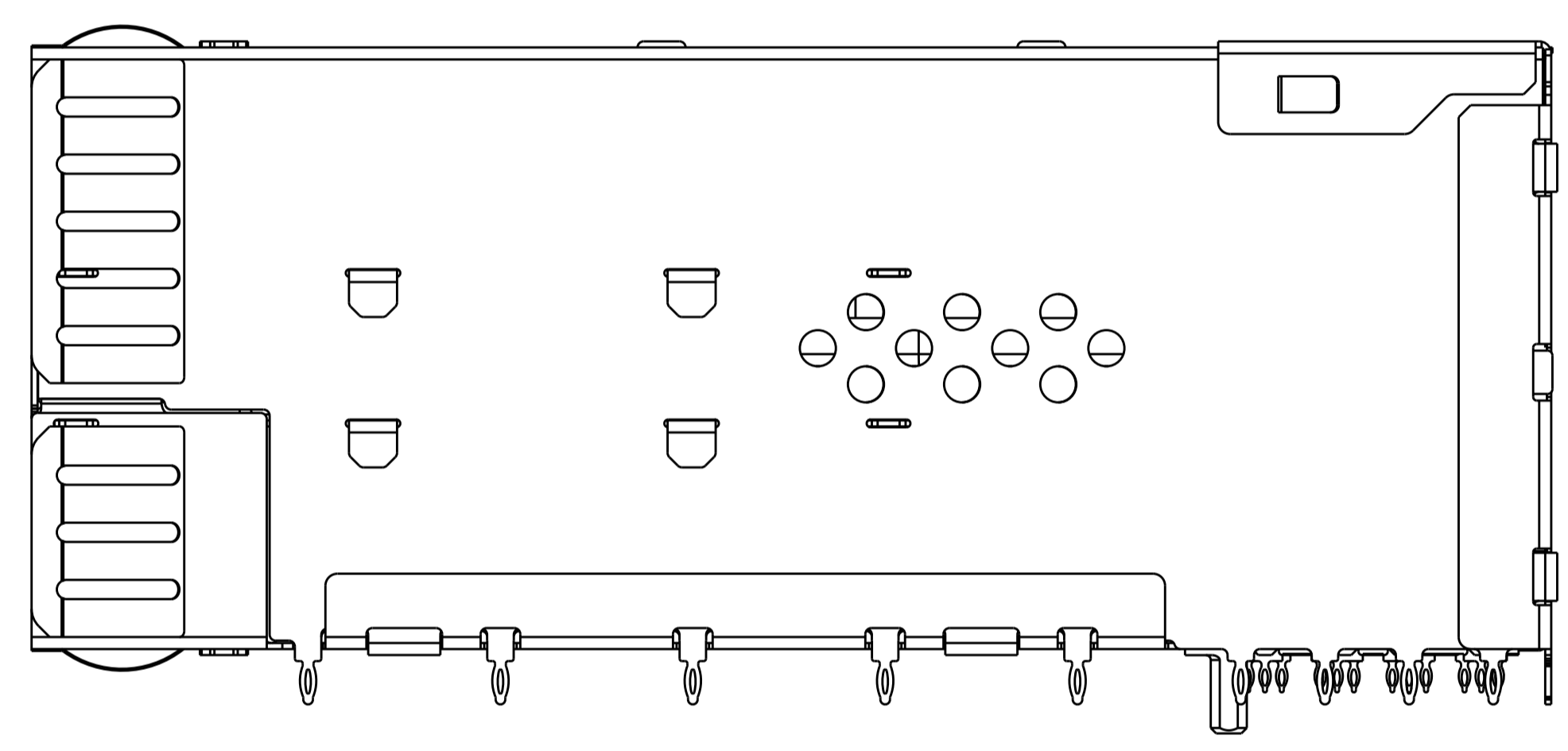
3-2343522-3 AIR FLOW ENHANCED VERSION
 UNMARKED DIMENSION SAME AS 2343522-5

OUTER LIGHT PIPE

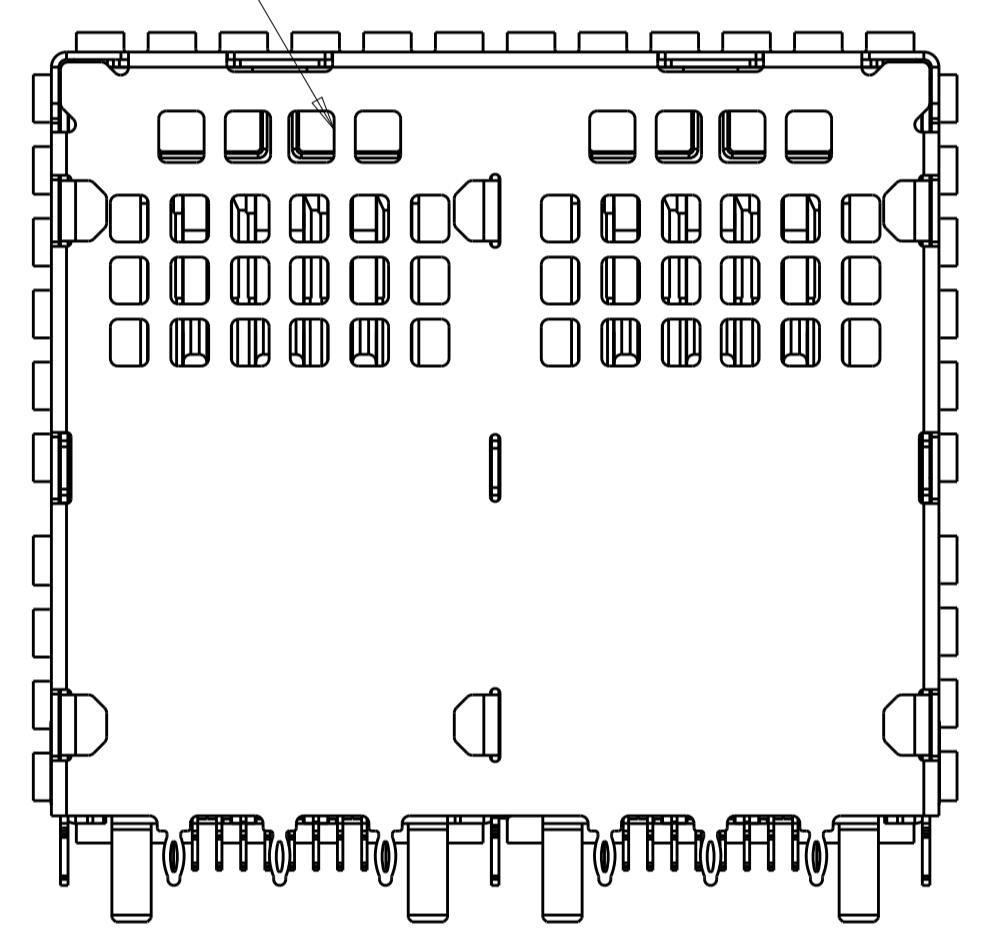
VENT HOLES



SCALE 4:1

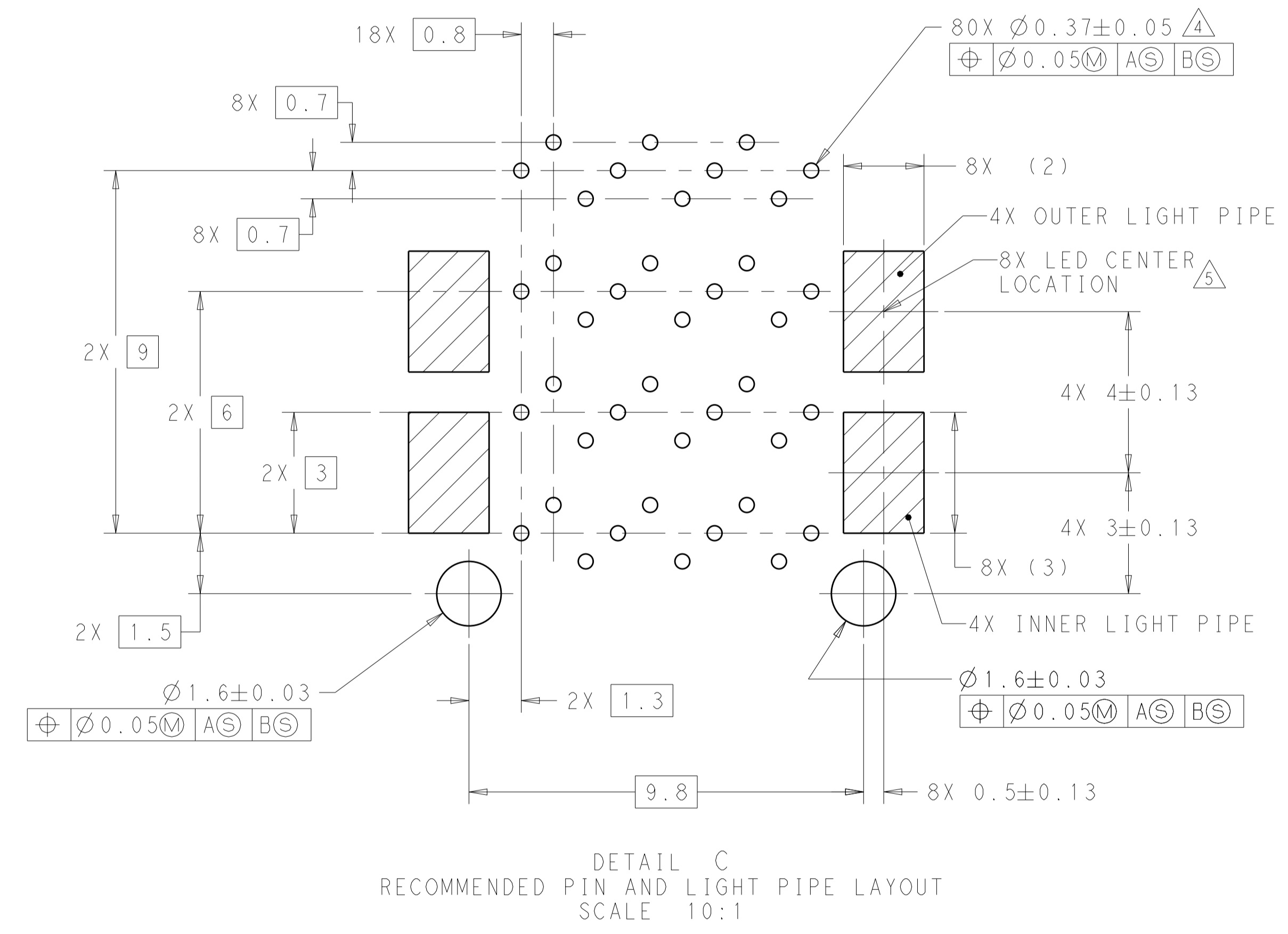
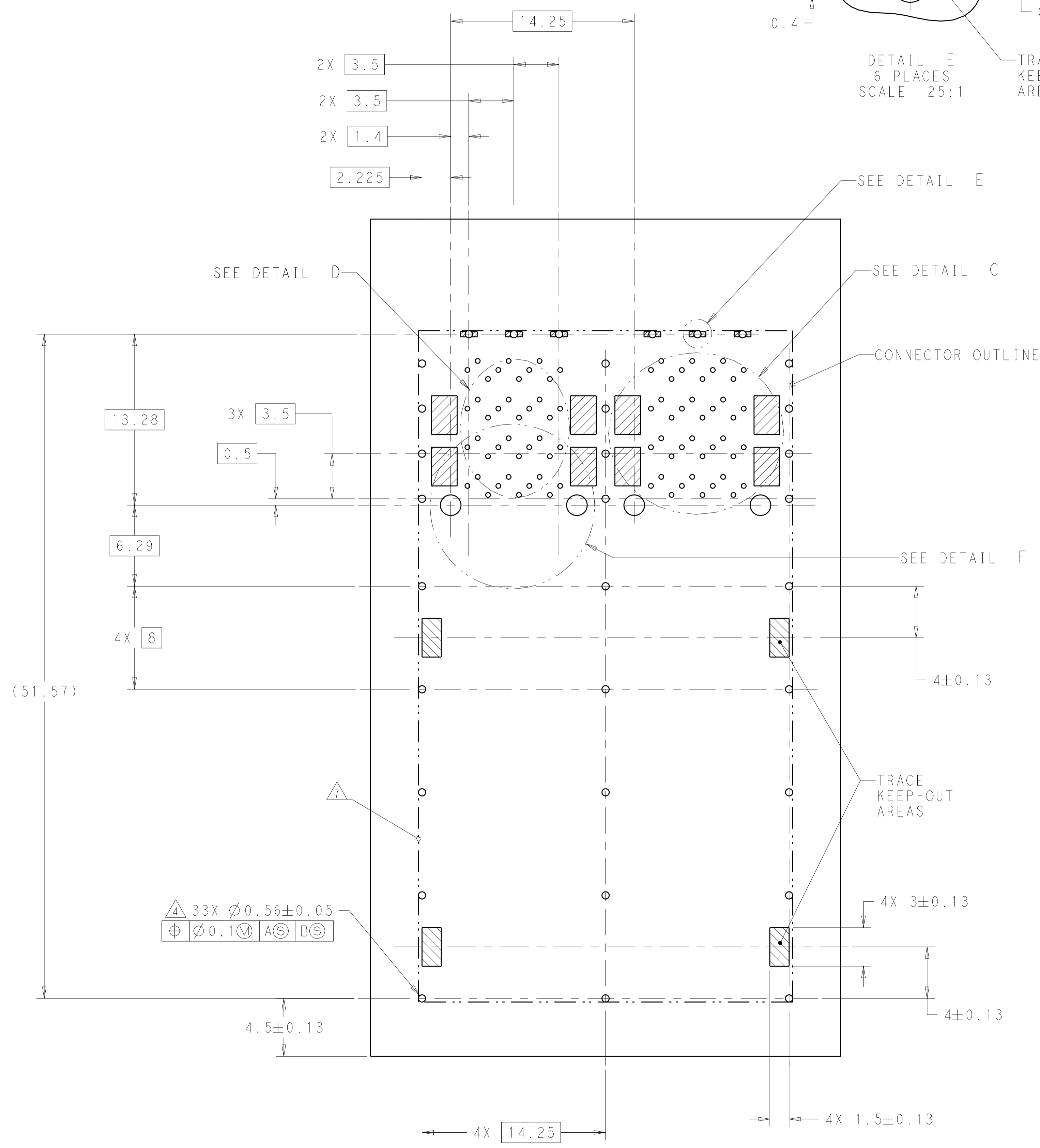
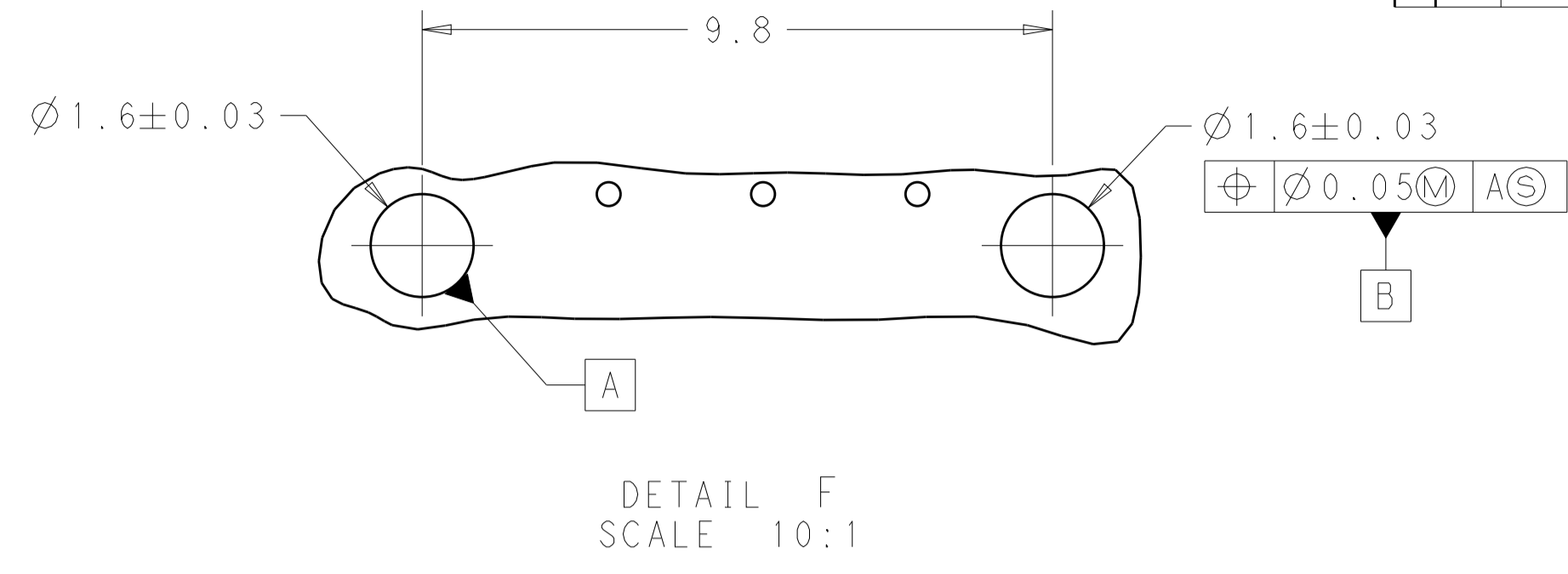
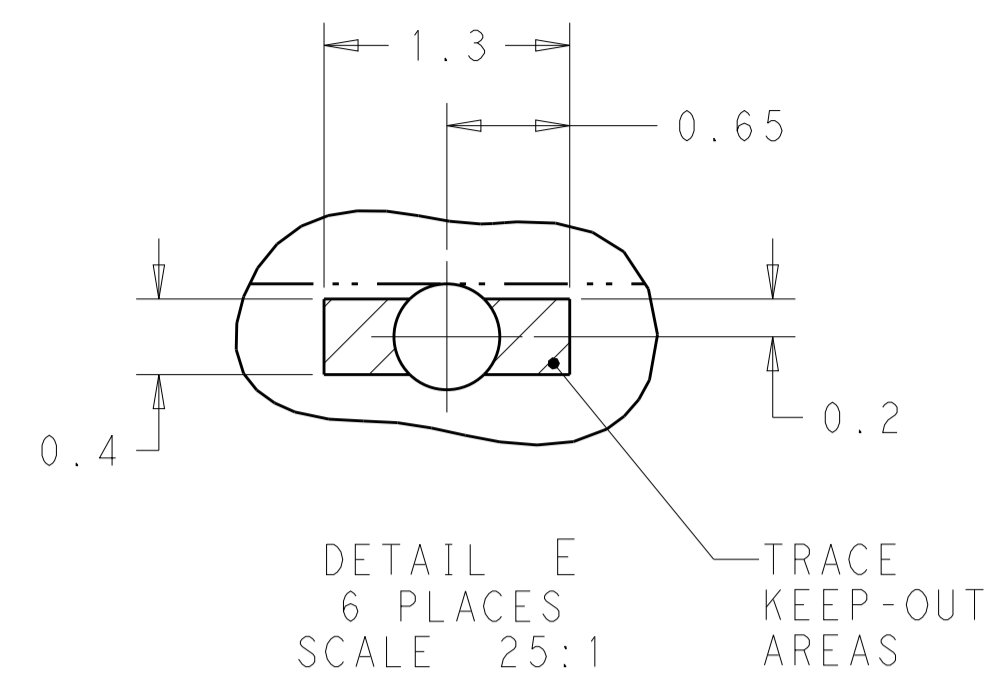


VENT HOLES PATTERN



THIS DRAWING IS A CONTROLLED DOCUMENT.		DWN: LEO LI 04SEP2018	TE Connectivity
DIMENSIONS: mm		CHK: SEAN HAN 04SEP2018	
TOLERANCES UNLESS OTHERWISE SPECIFIED:		APVD: SEAN HAN 04SEP2018	NAME: RECEPTACLE ASSEMBLY, 2X2, STACKED, SFP56
0 PLC ±0.25 1 PLC ±0.25 2 PLC ±0.25 3 PLC ±0.25 4 PLC ±0.25 ANGLES ±°		PRODUCT SPEC: 108-2481 APPLICATION SPEC: 114-13319	
MATERIAL: SEE NOTES		FINISH: SEE NOTES	SIZE: A1 CAGE CODE: 00779 DRAWING NO: 2343522 RESTRICTED TO: -
CUSTOMER DRAWING		SCALE: 4:1	SHEET 4 OF 6 REV C

LOC		DIST		REVISONS			
GP	00	P	LTN	DESCRIPTION	DATE	OWN	APVD
				SEE SHEET 1			



THIS DRAWING IS A CONTROLLED DOCUMENT.		OWN: LEO LI 04SEP2018	TE Connectivity
DIMENSIONS: mm		CHK: SEAN HAN 04SEP2018	
TOLERANCES UNLESS OTHERWISE SPECIFIED:		APVD: SEAN HAN 04SEP2018	NAME: RECEPTACLE ASSEMBLY, 2X2, STACKED, SFP56
0 PLC ±0.25 1 PLC ±0.25 2 PLC ±0.25 3 PLC ±0.25 4 PLC ±0.25 ANGLES ±°		PRODUCT SPEC: 108-2481	
MATERIAL: SEE NOTES		APPLICATION SPEC: 114-13319	SIZE: A1
FINISH: SEE NOTES		WEIGHT: -	CAGE CODE: 2343522
		CUSTOMER DRAWING	SCALE: 4:1 SHEET 5 OF 6 REV C

LOC	DIST	REVISIONS					
GP	00	P	LTN	DESCRIPTION	DATE	OWN	APVD
		-		SEE SHEET 1	-	-	-

T19 ○ T16 ○ T13 ○
 T20 ○ T17 ○ T14 ○ T11 ○
 T18 ○ T15 ○ T12 ○

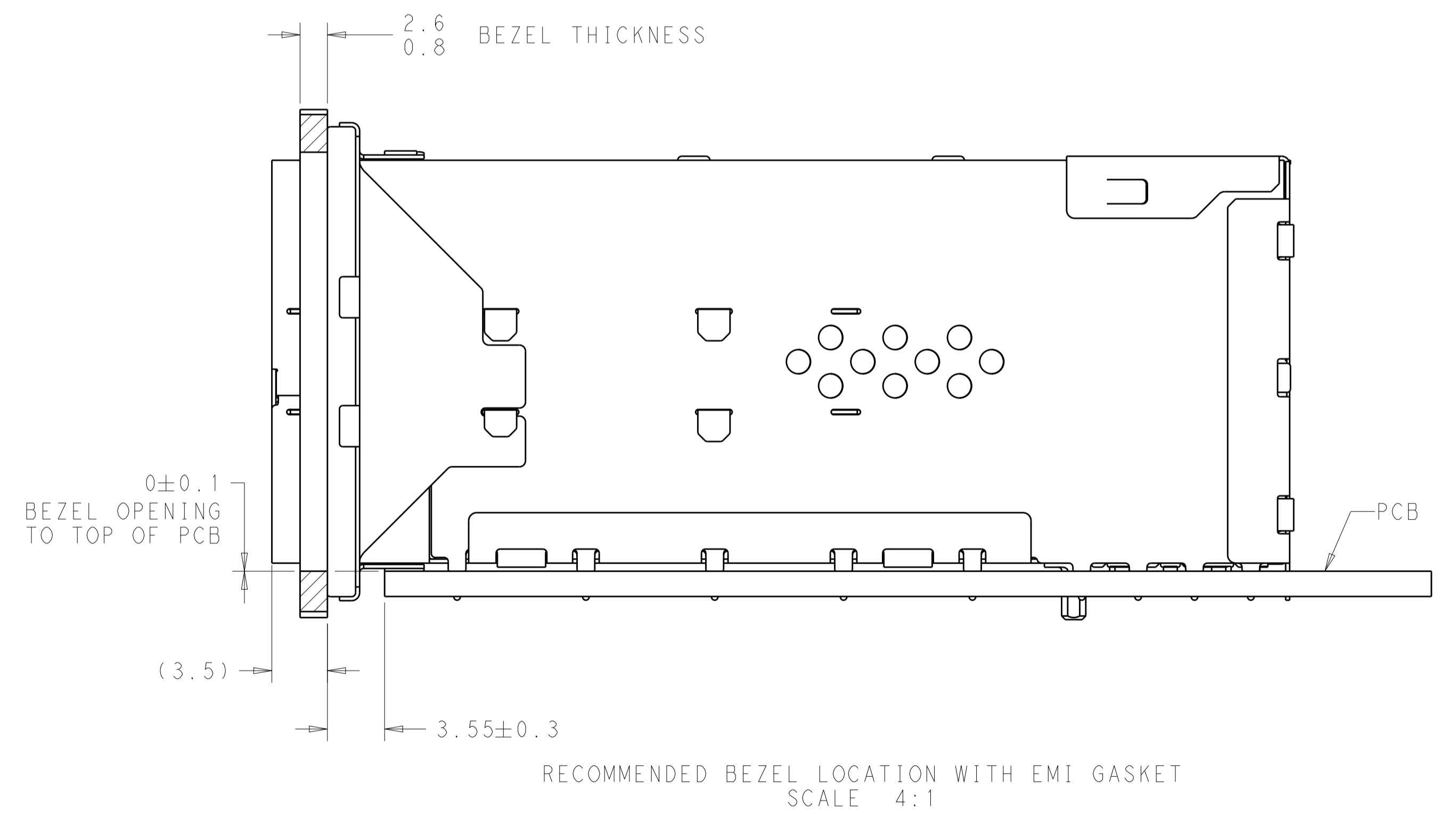
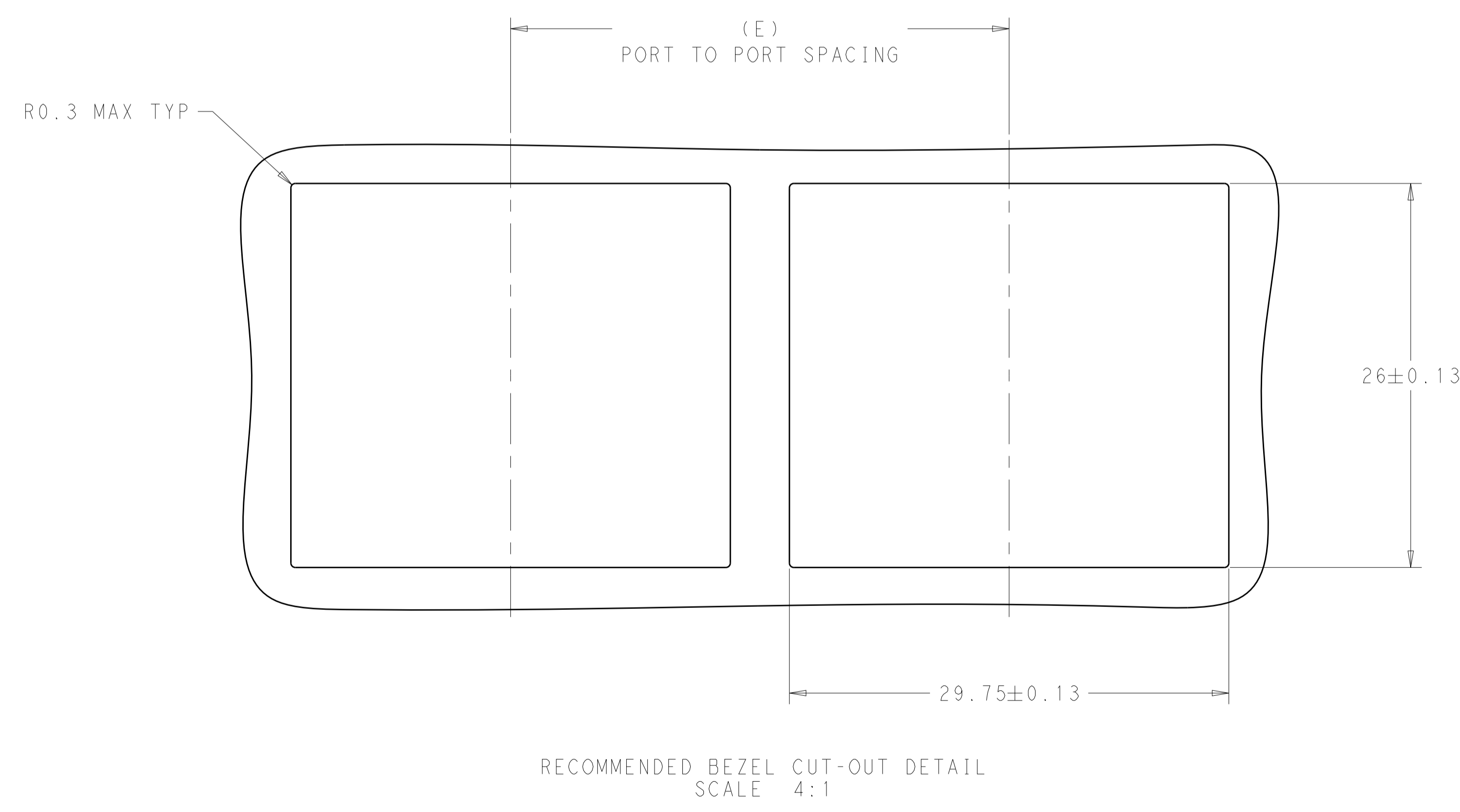
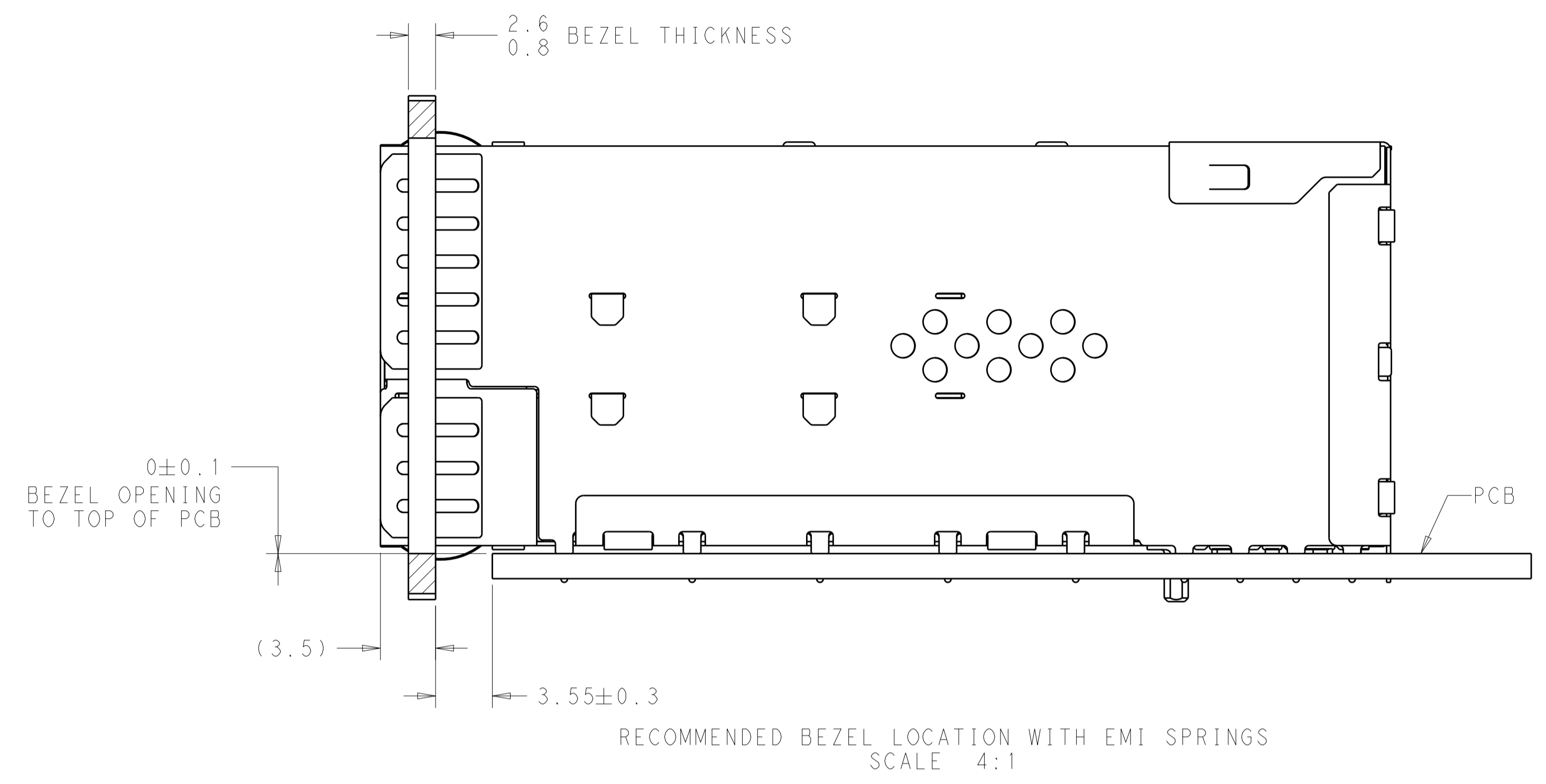
T2 ○ T5 ○ T8 ○
 T1 ○ T4 ○ T7 ○ T10 ○
 T3 ○ T6 ○ T9 ○

L9 ○ L6 ○ L3 ○
 L10 ○ L7 ○ L4 ○ L1 ○
 L8 ○ L5 ○ L2 ○

L12 ○ L15 ○ L18 ○
 L11 ○ L14 ○ L17 ○ L20 ○
 L13 ○ L16 ○ L19 ○

PIN MAP LEGEND	
PIN NUMBER	FUNCTION
L1/T1	VEET
L2/T2	TX-FAULT
L3/T3	TX-DISABLE
L4/T4	SDA
L5/T5	SCL
L6/T6	MOD_ABS
L7/T7	RSO
L8/T8	RX_LOS
L9/T9	RS1
L10/T10	VEER
L11/T11	VEER
L12/T12	RD-
L13/T13	RD+
L14/T14	VEER
L15/T15	VCCR
L16/T16	VCCT
L17/T17	VEET
L18/T18	TD+
L19/T19	TD-
L20/T20	VEET

DETAIL D
 PIN MAP
 2 PLACES
 SCALE 15:1



THIS DRAWING IS A CONTROLLED DOCUMENT.		OWN: LEO LI 04SEP2018	TE Connectivity
DIMENSIONS: mm		CHK: SEAN HAN 04SEP2018	
TOLERANCES UNLESS OTHERWISE SPECIFIED:		APP'D: SEAN HAN 04SEP2018	NAME: RECEPTACLE ASSEMBLY, 2X2, STACKED, SFP56
0 PLC ±0.25	1 PLC ±0.25	PRODUCT SPEC: 108-2481	SIZE: A1
2 PLC ±0.25	3 PLC ±0.25	APPLICATION SPEC: 114-13319	CAGE CODE: 2343522
4 PLC ±0.25	ANGLES ±°	WEIGHT: -	RESTRICTED TO: -
MATERIAL: SEE NOTES	FINISH: SEE NOTES	CUSTOMER DRAWING	SCALE: 4:1 SHEET 6 OF 6 REV C