

THIS DRAWING IS UNPUBLISHED.

RELEASED FOR PUBLICATION

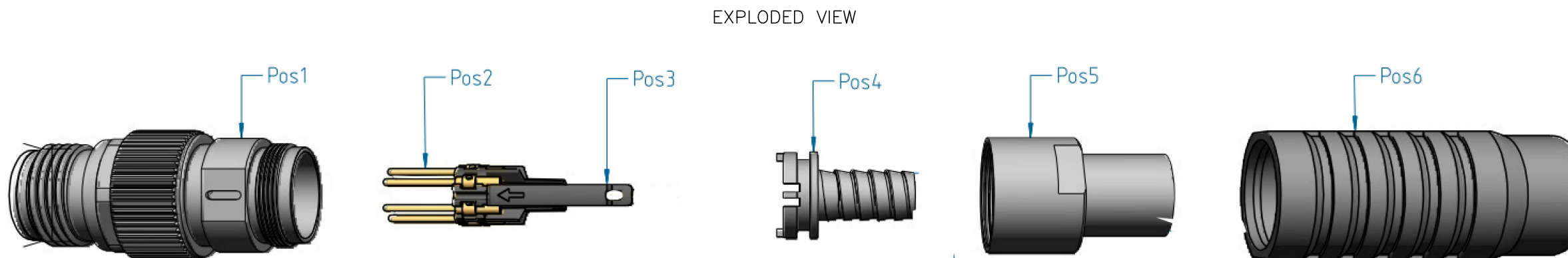
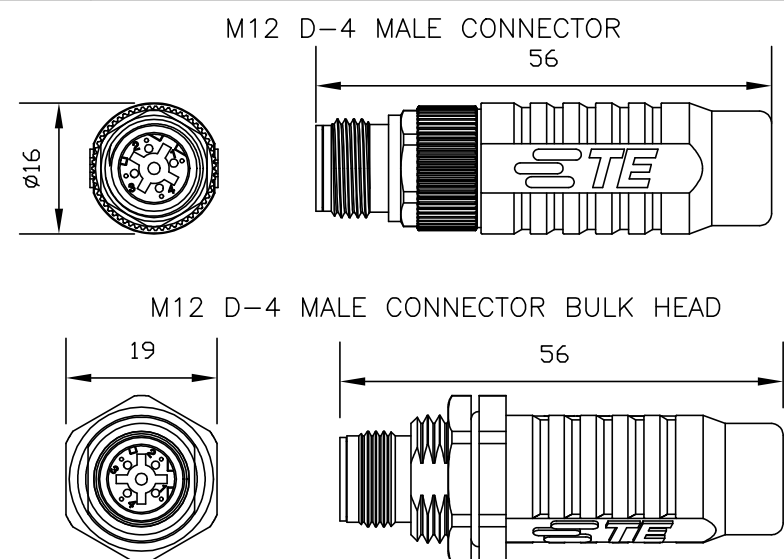
NOV., 2007.

© COPYRIGHT 2007 By -

ALL RIGHTS RESERVED.

REVISIONS				
P	LTR	DESCRIPTION	DATE	APVD
B1		REVISED TO CORRECT TOOLING INFORMATION	16APR2019	GK SE

PROJECT	PRJ-14-000004825
PART NO	X-2823445-X
HV DESC	RAIL M12, D-CODED, MALE
CUSTOMER	GENERAL MARKET

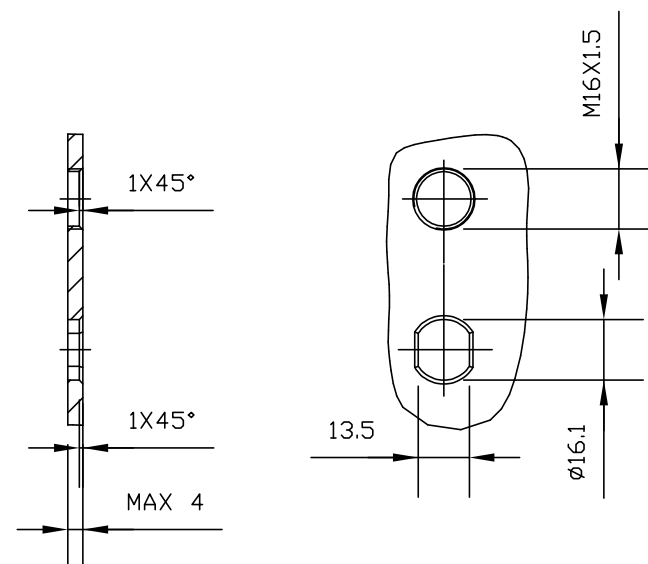


Cable preparation		Recommended Contact crimping tools			Recommended jacket crimping tools		Crimp Flange insertion	
Conductor stripping	Jacket cutting	Hand tool	Contact positioner	Crimp Selection number*	Crimp tool	Crimp Die	Handle	Insert for handle
734185-1	2119000-1	601966-1	1-2823581-1	6	1-2823557-1	1-2823560-1	1-2823561-1	1-2823564-1

TE PN	Description	Coding	Number of positions	Gender	Number of contacts included	Connector type	Applicable on cable	Manufacturer PN	Category	Color	Conductor size
1-2823445-1	M12 D-M-4, CRIMP, CAT5 RADOX 6.6MM, H&S	D	4	Male	4	Straight	Radox 6.6mm	H&S 12584038	Cat 5	Black	4 x AWG22
1-2823445-2	M12 D-M-4, CRIMP, CAT 5 RADOX 7.3MM, H&S					Straight	Radox 7.3mm	H&S 12568935	Cat 5	Black	4 x AWG22
1-2823445-3	M12 D-M-4, CRIMP, CAT 5 RADOX 8.3MM, H&S					Straight	Radox 8.3mm	H&S 12585489	Cat 5	Black	4 x AWG20
1-2823445-4	M12 D-M-4, CRIMP, CAT 7 RADOX 8.2MM, H&S					Straight	Radox 8.2mm	H&S 84124806	Cat 7	Black	8 x AWG24
1-2823445-5	M12 D-M-4 CRIMP, CAT 5 RADOX 7.3MM, H&S					Straight	Radox 7.3mm	H&S 12568935	Cat 5	Black	4 x AWG22
1-2823445-6	M12 D-M-4 CRI CAT5 MEGALINE 5.3MM, LEONI					Bulkhead	Megaline 5.3mm Leoni	Leoni 20123 3103012	Cat 5	Grey	8 x AWG26
1-2823445-7	M12 D-M-4 CRIMP, CAT 7, RADOX 8.2MM, H&S					Bulkhead	Radox 8.2mm	H&S 84124806	Cat 7	Black	8 x AWG24
1-2823445-8	M12 D-M-4 CRIMP, CAT 5, 6.7MM, BELDEN					Straight	Belden 6.7mm	Belden BE43769	Cat 5	Black	8 x AWG22
1-2823445-9	M12 D-M-4 CRIMP CAT 5 RADOX 6.6MM, LEONI					Straight	Leoni	Leoni 303195	Cat 5	Black	4 x AWG22
2-2823445-0	M12 D-M-4 CRIMP, TE CAT 7 8.4MM					Straight	TE Cat 7 cable TECC0011C7	TE 2297799-1	Cat 7	Blue	8 x AWG24
2-2823445-1	M12 D-M-4 CRIMP, CAT 5E, 6.5MM, TE					Straight	TE Cat 5e cable TECC0026C5	TE 2320808-1	Cat 5e	Blue	4 x AWG22
2-2823445-2	M12 D-M-4 CRIMP CAT5E ROCKBESTO TD-010301					Straight	Exane	Rockbestos TD-010301	Cat 5e	Black	4 x AWG24

*TOOL SETTING MUST BE VALIDATED ON CABLE USED

PANEL CUT-OUT AS SHOWN



NOTES:

- ALL DIMENSIONS ARE FOR NOMINAL REFERENCE ONLY.
- PACKAGING: 1 PIECE IN A BOX, CONTACTS INCLUDED.
- THE CONNECTOR IS AS PER IEC 61076-2-101.
- TEMPERATURE RANGE: WITH CABLE BOOT -40°C TO +70°C. WITHOUT CABLE BOOT -40°C TO +85°C.
- VIBRATION & SHOCK TEST CONDUCTED AS PER IEC 61373: CAT 1 CLASS B.
- FIRE PERFORMANCE CONDUCTED AS PER EN45545-2 HL3 R22/R23, NFF16-101 AND NFF16-102.
- SPECIAL CRIMP FLANGE SYSTEM WITH CRIMP INSERT AND CRIMP SLEEVE SECURES THE EFFECTIVE SHIELDING OVER THE LIFETIME WITH EXTREMELY HARD CONDITIONS.
- VIBRATION AND TORSION-PROOF CABLE STRAIN RELIEF FOR ROUGH ENVIRONMENT ACHIEVED BY HEXAGONAL CRIMP OF THE CRIMP SLEEVE OF THE CRIMP FLANGE SYSTEM.
- DEGREE OF PROTECTION: IP 67 (ONLY SCREW-LOCKED).
- DATA TRANSMISSION RATE: 10/100 Mbit/s.
- CURRENT RATING: 4A, NOMINAL VOLTAGE: 50V, CONTACT RESISTANCE: ≤ 5 mΩ, INSULATION RESISTANCE: ≥ 100 mΩ.
- DURABILITY: ≥ 200 MATING CYCLES

THIS DRAWING IS A CONTROLLED DOCUMENT.		DWN	16APR2019		
		CHK	16APR2019		
		APVD	16APR2019		
		PRODUCT SPEC			
DIMENSIONS: MM		TOLERANCES UNLESS OTHERWISE SPECIFIED:		NAME	
		0 PLC ± - 1 PLC ± - 2 PLC ± - 3 PLC ± - 4 PLC ± - ANGLES ± -		RAIL M12, D-CODED MALE 4 CRIMP CONNECTORS	
MATERIAL		FINISH		RESTRICTED TO	
				-	
CUSTOMER DRAWING				SIZE	RESTRICTED TO
				A3	-
				CAGE CODE	00779
				DRAWING NO	C=2823445
				SCALE	NTS
				SHEET	1 OF 1
				REV	B1