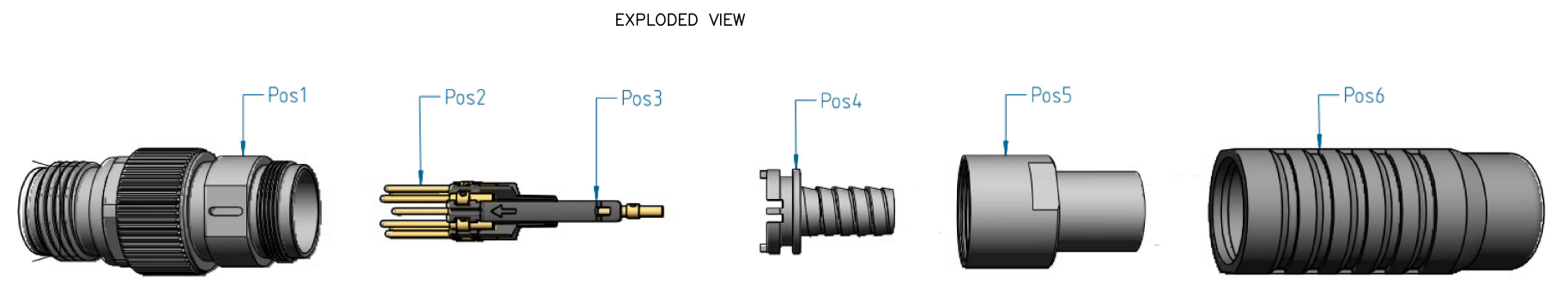
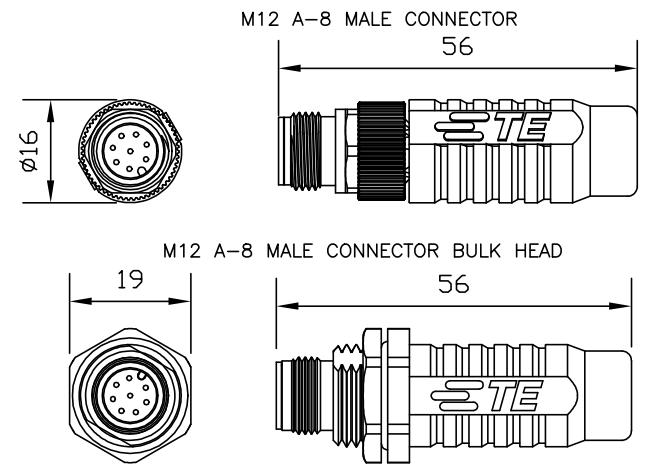


THIS DRAWING IS UNPUBLISHED.		RELEASED FOR PUBLICATION NOV ,2007.	
© COPYRIGHT 2007 By -		ALL RIGHTS RESERVED.	
PROJECT	PRJ-14-000004825		
PART NO	X-2823447-X		
HV DESC	M12, A-CODED,RAIL MALE 8 CRIMP		
CUSTOMER	GENERAL MARKET		

REVISIONS				
P	LTR	DESCRIPTION	DATE	APVD
	A2	REVISED TO CORRECT TOOLING INFORMATION	16APR2019	GK SE



Cable preparation	Recommended Contact crimping tools	Recommended jacket crimping tools	Crimp Flange insertion

TE PN	Description	Coding	Number of positions	Gender	Number of contacts included	Connector type	Applicable on cable	Manufacturer PN	Category	Color	Conductor size	Conductor stripping	Jacket cutting	Hand tool	Contact positioner	Crimp Selection number*	Crimp tool	Crimp Die	Handle	Insert for handle	Connector assembly tool	
1-2823447-1	M12 A-M-8 CRIMP ST ,CAT7 RADOX 8.2MM,H&S	A	8	Male	8	Straight	Radox 8.2mm	H&S 84124806	Cat 7	Black	8 x AWG24	734185-1	2119000-1	601966-1	1-2823582-8	5	1-2823557-1	1-2823558-6	1-2823560-1	1-2823561-1	1-2823564-1	
1-2823447-2	M12 A-M-8,CAT7 BETATRANS C-FLE8.8MM,LEON					Straight	Betrans C-Fle 8.8mm	Leoni 302834 - 871433	Cat 7	Black	8 x AWG24											1-2823558-7
1-2823447-3	M12 A-M-8 CRI ST CAT 5 MEGALI 5.3MM,LEON					Straight	Megaline 5.3mm Leoni	Leoni 20123 3103012	Cat 5	Grey	8 x AWG26											1-2823558-1
1-2823447-4	M12 A-M-8 CRIMP ST CAT 7 RADOX 8.2MM,H&S					Straight	Radox 8.2mm	H&S 84124806	Cat 7	Black	8 x AWG24											1-2823558-6
1-2823447-5	M12 A- M 8 CAT 5MEGALINE 5.3MM,LEONI					Bulkhead	Megaline 5.3mm Leoni	Leoni 20123 3103012	Cat 5	Grey	8 x AWG26											1-2823558-1
1-2823447-6	M12 A-M-8 CR ST CAT 7 RADOX 8.2MM,H&S					Bulkhead	Radox 8.2mm	H&S 84124806	Cat 7	Black	8 x AWG24											1-2823558-6
1-2823447-9	M12 A-M-8 CR CAT 7, 8.4MM,TE 2297799-1					Bulkhead	TE Cat 7 cable TECC0011C7	TE 2297799-1	Cat 7	Blue	8 x AWG24											1-2823558-5



\*TOOL SETTING MUST BE VALIDATED ON CABLE USED

SL. NO.	DESCRIPTION	MATERIAL	QTY	UNITS
6	GRIP BOOT	TPE WITH S3 & SR2 (DIN 5510-2)	1	PC
5	BACK NUT & SLEEVE	Cu ALLOY Ni-PLATED	1	PC
4	CRIMP INSERT	Cu ALLOY Ni-PLATED	1	PC
3	CONTACT HOLDER	THERMOPLAST	1	PC
2	CRIMP CONTACTS MACHINED	Cu ALLOY Ni-Au PLATED	8	PC
1	FRONT HOUSING	Cu ALLOY Ni-PLATED	1	PC

- NOTES:
- ALL DIMENSIONS ARE FOR NOMINAL REFERENCE ONLY.
  - PACKAGING: 1 PIECE IN A BOX, CONTACTS INCLUDED.
  - THE CONNECTOR IS AS PER IEC 61076-2-101
  - TEMPERATURE RANGE: WITH CABLE BOOT -40°C TO +70°C. WITHOUT CABLE BOOT -40°C TO +85°C.
  - VIBRATION & SHOCK TEST CONDUCTED AS PER IEC 61373:CAT 1 CLASS B.
  - FIRE PERFORMANCE CONDUCTED AS PER EN45545-2 HL3 R22/R23,NFF16-101 AND NFF16-102.
  - SPECIAL CRIMP FLANGE SYSTEM WITH CRIMP INSERT AND CRIMP SLEEVE SECURES THE EFFECTIVE SHIELDING OVER THE LIFETIME WITH EXTREMELY HARD CONDITIONS.
  - VIBRATION AND TORSION-PROOF CABLE STRAIN RELIEF FOR ROUGH ENVIRONMENT ACHIEVED BY HEXAGONAL CRIMP OF THE CRIMP SLEEVE OF THE CRIMP FLANGE SYSTEM.
  - DEGREE OF PROTECTION: IP 67 (ONLY SCREW-LOCKED).
  - DATA TRANSMISSION RATE: UP TO 10Gbit/S
  - CURRENT RATING: 2A, NOMINAL VOLTAGE: 30V, CONTACT RESISTANCE: ≤ 5 mΩ, INSULATION RESISTANCE: ≥ 100 mΩ.
  - DURABILITY: ≥ 200 MATING CYCLES

THIS DRAWING IS A CONTROLLED DOCUMENT.

DIMENSIONS: MM	TOLERANCES UNLESS OTHERWISE SPECIFIED:	DWN 16APR2019	GOPALAKRISHNA HV
	0 PLC ± -	CHK 16APR2019	S EGBERT
	1 PLC ± -	APVD 16APR2019	S EGBERT
	2 PLC ± -	NAME	
	3 PLC ± -	M12, A-CODED	
	4 PLC ± -	RAIL MALE 8 CRIMP CONNECTORS	
	ANGLES ± -	APPLICATION SPEC	108-156001
MATERIAL	FINISH	WEIGHT	24 g
		CUSTOMER DRAWING	A3 00779 C=2823447
		SCALE	NTS
		SHEET	1 of 1
		REV	A2

TE Connectivity Ltd.