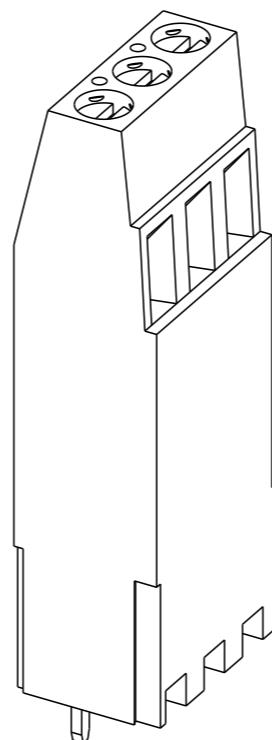
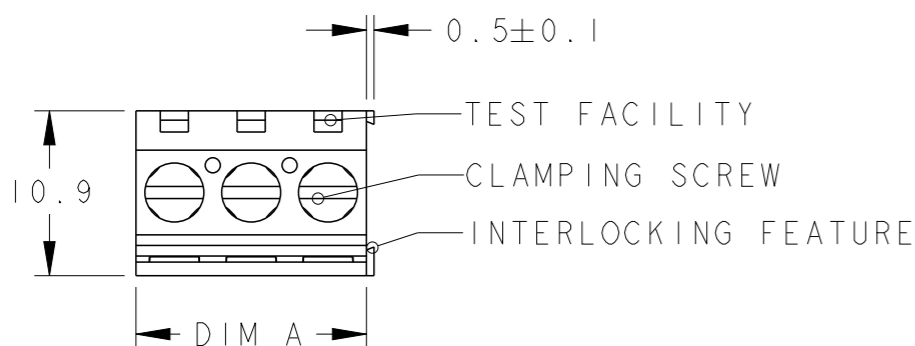
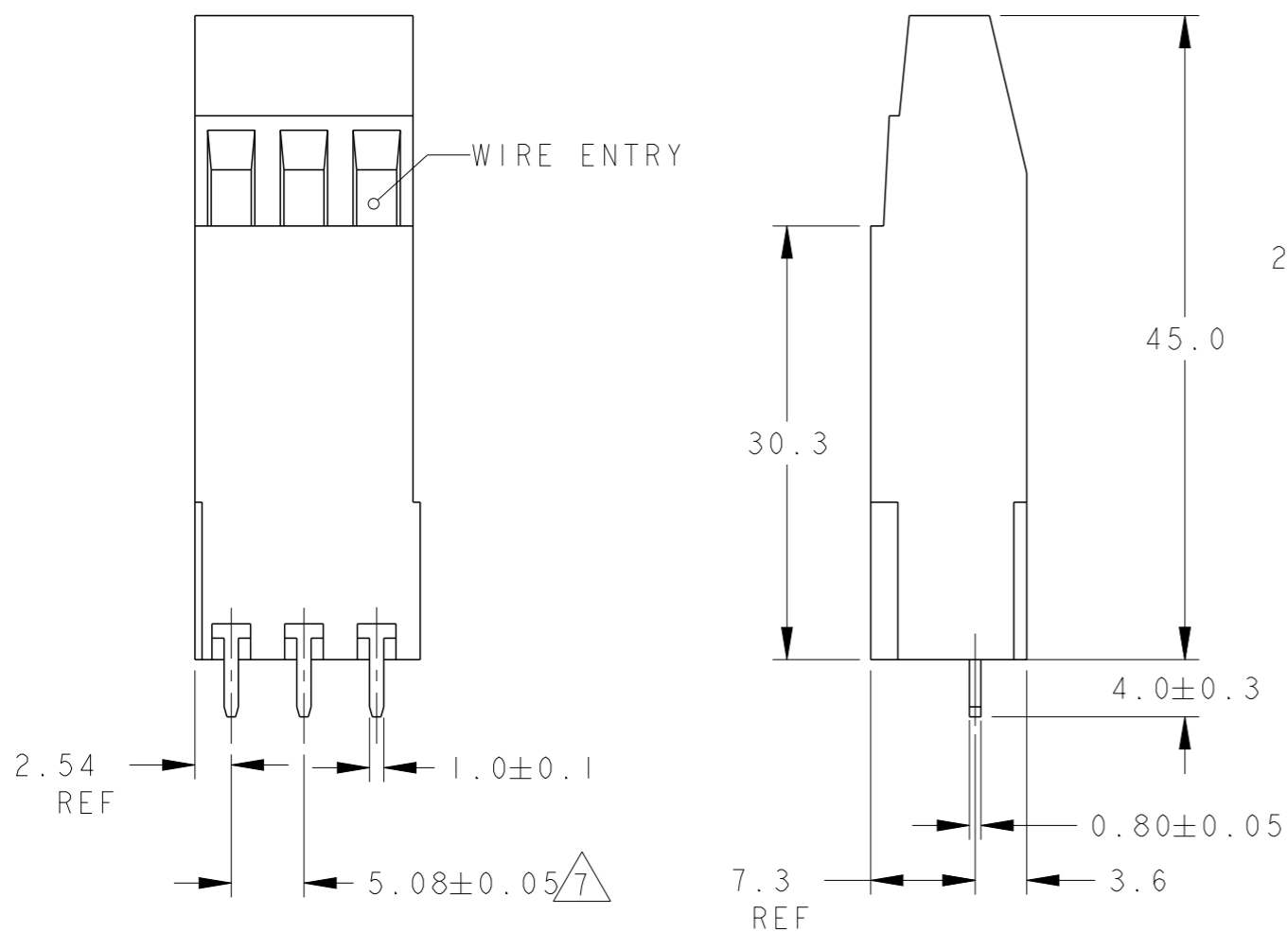


REVISIONS

P	LTR	DESCRIPTION	DATE	DWN	APVD
	C9	HOUSING COLOR ADDED	030CT2019	RK	PS

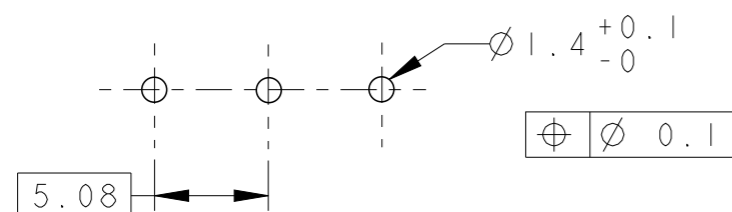


282925-3 AS SHOWN



9	SEE DETAIL F	60.96	12	2-282925-3
9	SEE DETAIL E	76.20	15	2-282925-2
12/10/9	SEE DETAIL D	106.68	21	2-282925-1
12/10/9	SEE DETAIL C	76.20	15	1-282925-5
12/9	SEE DETAIL B	60.96	12	1-282925-2
8/7		828.04	163	1-282925-0
OBSOLETE		15.24	3	282925-3
		10.16	2	282925-2
	DIM.A		NO OF POS.	PART NUMBER

RECOMMENDED PC BOARD LAYOUT



THIS DRAWING IS A CONTROLLED DOCUMENT.

DIMENSIONS: mm	TOLERANCES UNLESS OTHERWISE SPECIFIED:
0 PLC	±-
1 PLC	±0.3
2 PLC	±0.25
3 PLC	±-
4 PLC	±-
ANGLES	±2°
MATERIAL SEE NOTES	FINISH SEE NOTES

DWN	09NOV2001
E. ZANOLINI	
CHK	09NOV2001
D. BIEVENOUR	
APVD	09NOV2001
D. BIEVENOUR	
PRODUCT SPEC	-
APPLICATION SPEC	-
WEIGHT	-
CUSTOMER DRAWING	

		TE Connectivity	
		NAME	
TERMINAL BLOCK, PCB MOUNT 3RD LEVEL, STACKING W/INTERLOCK, 5.08mm PITCH			
SIZE	CAGE CODE	DRAWING NO	RESTRICTED TO
A3	00779	C-282925	-
SCALE		SHEET	REV
2:1		1 OF 4	C9

4

3

2

1

THIS DRAWING IS UNPUBLISHED.

RELEASED FOR PUBLICATION

20

© COPYRIGHT 20

BY -

ALL RIGHTS RESERVED.

REVISIONS

P	LTR	DESCRIPTION	DATE	DWN	APVD
	-	SEE SHEET 1	-	-	-

DETAIL D
SCALE 2:1

DETAIL C
SCALE 2:1

DETAIL B
SCALE 2:1

THIS DRAWING IS A CONTROLLED DOCUMENT.

DIMENSIONS:
mm

TOLERANCES UNLESS
OTHERWISE SPECIFIED:

0 PLC	±
1 PLC	±0.3
2 PLC	±0.25
3 PLC	±
4 PLC	±
ANGLES	±2°

MATERIAL
SEE NOTES

FINISH
SEE NOTES

DWN 09NOV2001

E. ZANOLINI

CHK 09NOV2001

D. BIEVENOUR

APVD 09NOV2001

D. BIEVENOUR

PRODUCT SPEC

APPLICATION SPEC

WEIGHT

-

CUSTOMER DRAWING

TE Connectivity

NAME
TERMINAL BLOCK, PCB MOUNT
3RD LEVEL, STACKING W/INTERLOCK,
5.08mm PITCH

SIZE CAGE CODE DRAWING NO

A300779 C-282925

RESTRICTED TO

-

SCALE 2:1

SHEET 2 OF 4

REV C9

1470-19 (3/13)

4

3

2

1

THIS DRAWING IS UNPUBLISHED.

RELEASED FOR PUBLICATION

20

© COPYRIGHT 20 BY -

ALL RIGHTS RESERVED.

REVISIONS

P	LTR	DESCRIPTION	DATE	DWN	APVD
	-	SEE SHEET 1	-	-	-

DETAIL E
SCALE 2:1

DETAIL F
SCALE 2:1

THIS DRAWING IS A CONTROLLED DOCUMENT.

DIMENSIONS:
mm

TOLERANCES UNLESS OTHERWISE SPECIFIED:

0 PLC	±
1 PLC	±0.3
2 PLC	±0.25
3 PLC	±
4 PLC	±
ANGLES	±2°

MATERIAL
SEE NOTES

FINISH
SEE NOTES

DWN 09NOV2001
E. ZANOLINI

CHK 09NOV2001
D. BIEVENOUR

APVD 09NOV2001
D. BIEVENOUR

PRODUCT SPEC

APPLICATION SPEC

WEIGHT

CUSTOMER DRAWING

STE TE Connectivity

NAME
TERMINAL BLOCK, PCB MOUNT
3RD LEVEL, STACKING W/INTERLOCK,
5.08mm PITCH

SIZE	CAGE CODE	DRAWING NO	RESTRICTED TO
A300779	C=282925		-

SCALE 2:1 SHEET 3 OF 4 REV C9

1470-19 (3/13)

THIS DRAWING IS UNPUBLISHED.

RELEASED FOR PUBLICATION

20

© COPYRIGHT 20

BY -

ALL RIGHTS RESERVED.

REVISIONS

P	LTR	DESCRIPTION	DATE	DWN	APVD
-	-	SEE SHEET 1	-	-	-

- 1. MATERIALS AND FINISH
HOUSING: PA 66, UL 94-V0, COLOR: GREEN.
CLAMP: BRASS, NICKEL PLATED.
TERMINAL: BRASS, TIN PLATED.
CLAMPING SCREW: M3, BRASS, NICKEL PLATED.
- 2. MECHANICAL:
RECOMENDED TIGHTENING TORQUE : 0.5Nm
WIRE STRIPPING LENGTH : 6.5-7.0mm
MIN. PC BOARD HOLES DIAMETER : 1.4mm
MAX. PC BOARD THICKNESS : 2.4mm
- 3. ELECTRICAL
WIRE RANGE : 16-30 AWG
MAX. VOLTAGE : 300 V
MAX CURRENT : 24 A
CONTACT RESISTANCE : < 15 m Ohm
INSULATION RESISTANCE : > 1000 M Ohm (500V DC)

4. OPERATING TEMPERATURE RANGE: -40C TO +105C.

5. RECOGNIZED UNDER THE COMPONENT PROGRAM OF UNDERWRITERS LABORATORIES INC., FILE NO E60677

6 NOT CUMULATIVE TOLERANCE.

7 P/N 1-282925-0 IS A KIT PACKAGE COMPRISED OF THE FOLLOWING:(3) OF 25 POS. GLUED ASSEMBLIES AND (4) OF 22 POS. GLUED ASSEMBLIES. EACH GLUED ASSEMBLY IS PACKAGED SEPERATLY IN A UNIT BOX.


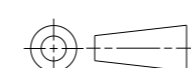
8 INK MARKING, BLACK COLOR. NUMERICAL SEQUENCE: FROM LEFT TO RIGHT FOR EACH GLUED ASSEMBLY.

9 INK MARKING, BLACK COLOR. SEE DETAIL FOR MARKING.

10 PARTS TO BE SHIPPED WITH CAGES IN THE CLOSED POSITION WITH SCREW TORQUE TO 3 IN-16s MIN.

11 DELETED

12 SECTION GLUED USING CYANOLIT 241F OR TE ENGINEERING APPROVED EQUIVALENT.

THIS DRAWING IS A CONTROLLED DOCUMENT.		DWN E. ZANOLINI 09NOV2001	 TE Connectivity	
DIMENSIONS: mm		CHK D. BIEVENOUR 09NOV2001		
		APVD D. BIEVENOUR 09NOV2001	NAME TERMINAL BLOCK, PCB MOUNT 3RD LEVEL, STACKING W/INTERLOCK, 5.08mm PITCH	
TOLERANCES UNLESS OTHERWISE SPECIFIED: 0 PLC ± 1 PLC ±0.3 2 PLC ±0.25 3 PLC ± 4 PLC ± ANGLES ±2°		PRODUCT SPEC -	RESTRICTED TO -	
MATERIAL SEE NOTES		APPLICATION SPEC -	SIZE A300779	CAGE CODE C-282925
FINISH SEE NOTES		WEIGHT -	DRAWING NO	REV C9
CUSTOMER DRAWING			SCALE 2:1	SHEET 4 OF 4