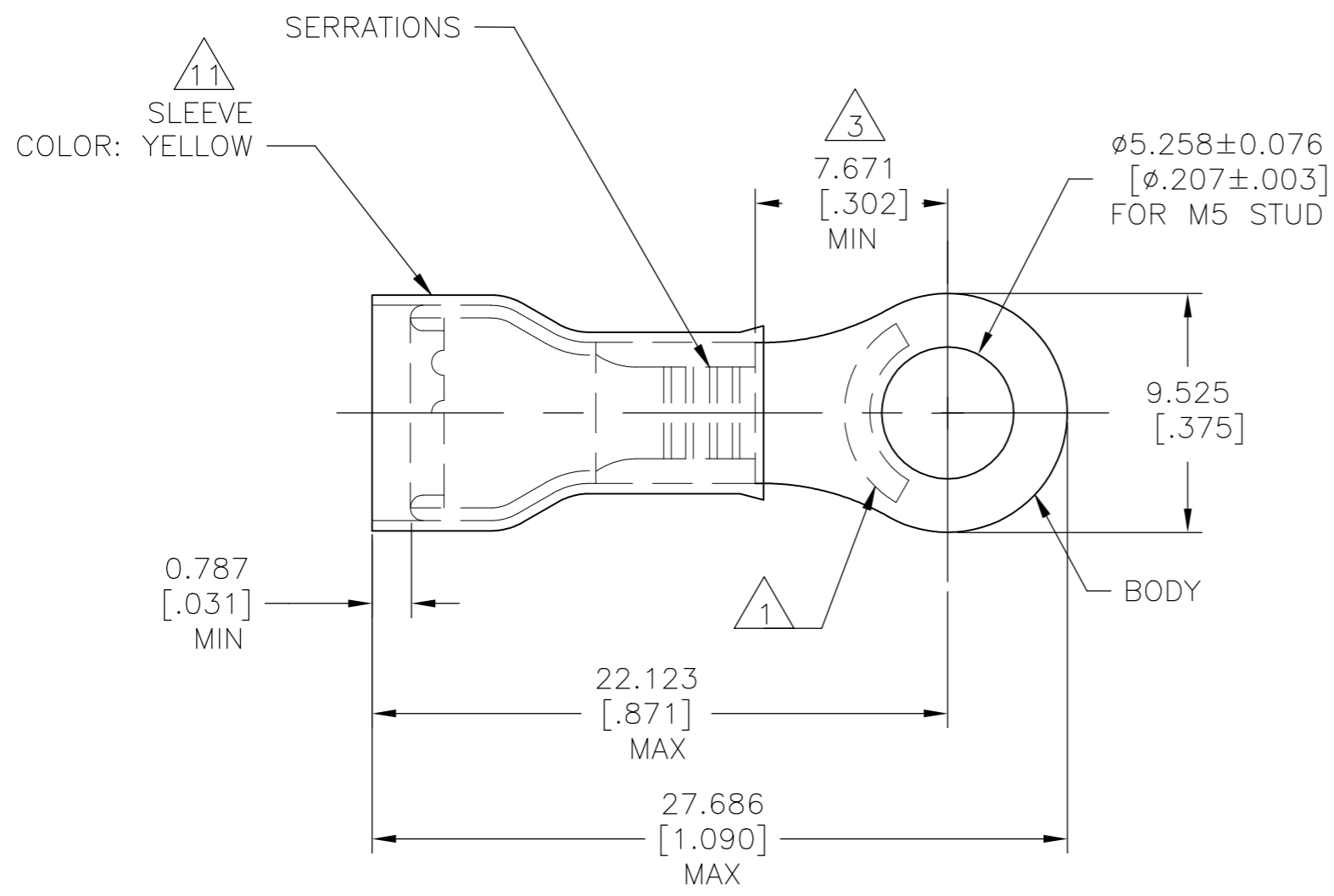


THIS DRAWING IS UNPUBLISHED. RELEASED FOR PUBLICATION  
 © COPYRIGHT - By - ALL RIGHTS RESERVED.

REVISIONS				
P	LTR	DESCRIPTION	DATE	APVD
	B2	REVISED PER ECO-11-004820	11MAR11	RK HMR
	B3	REVISED PER ECO-18-007846	13AUG2018	RS DR
	B4	REVISED PER ECO-18-015552	03OCT2018	RS DR



- 1 STAMP "AMP 12-10\*", LOCATION APPROX AS SHOWN.
- 2 BODY MATERIAL THICKNESS IS 0.991±0.051 [.039±.002]
- 3 APPLIES FROM THE EDGE OF THE METAL WIRE BARREL TO CENTER OF STUD HOLE.
- 4 NOTE DELETED
- 5 BODY - COPPER PER ASTM B-152  
SLEEVE - COPPER PER ASTM B-152  
INSULATION - NYLON
- 6 BODY - TIN PL PER ASTM B-545  
SLEEVE - TIN PL PER ASTM B-545  
INSULATION - COLOR - YELLOW
- 7 105°C [221°F] MAX OPERATING TEMPERATURE.
- 8 300 VOLT MAX
- 9 2.62-6.64mm<sup>2</sup> [5,180 - 13,100 CMA] SOLID OR STRANDED
- 10 NOTE DELETED
- 11 INTERNAL EDGE FEATURE MAY BE SOLID OR SCALLOPED

.150-.250	2500	REELED ON TAPE	2-130171-1
.150-.250	500	LOOSE PIECE	130171
WIRE INSULATION OD RANGE	QTY	PACKAGE TYPE	PART NO

THIS DRAWING IS A CONTROLLED DOCUMENT.		DWN jr ruth 20FEB06	<b>STE</b> TE Connectivity Ltd.	
DIMENSIONS: mm [INCHES]		CHK T MICHIELUTTI 20FEB06		
TOLERANCES UNLESS OTHERWISE SPECIFIED:		APVD T MICHIELUTTI 20FEB06	NAME	
0 PLC ± -		PRODUCT SPEC	TERMINAL RING TONGUE, PIDG, WIRE SIZE 12-10 AWG	
1 PLC ± -		APPLICATION SPEC	-	
2 PLC ± -		114-2157	SIZE	RESTRICTED TO
3 PLC ± .008		WEIGHT -	A3	-
4 PLC ± -		CUSTOMER DRAWING	CAGE CODE 00779	DRAWING NO C-130171
ANGLES ± 5°		SCALE 4:1	SHEET 1 OF 1	REV B4
MATERIAL 5	FINISH 6			