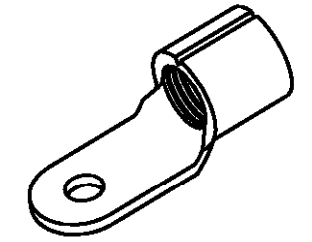
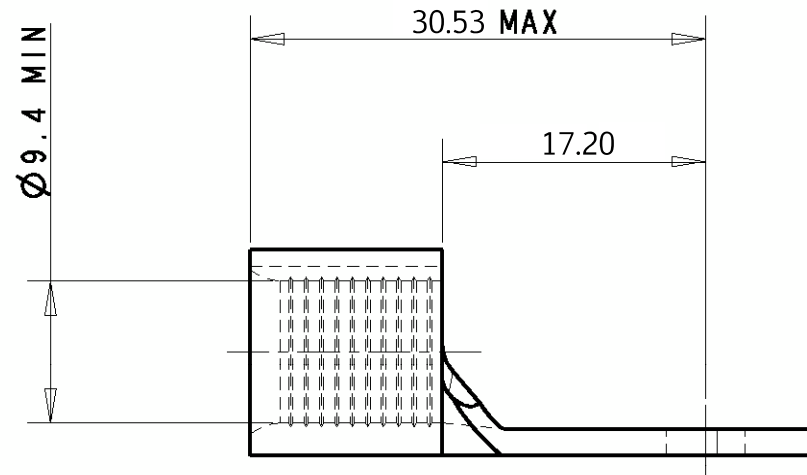
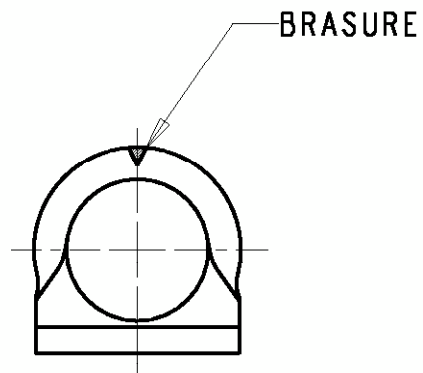
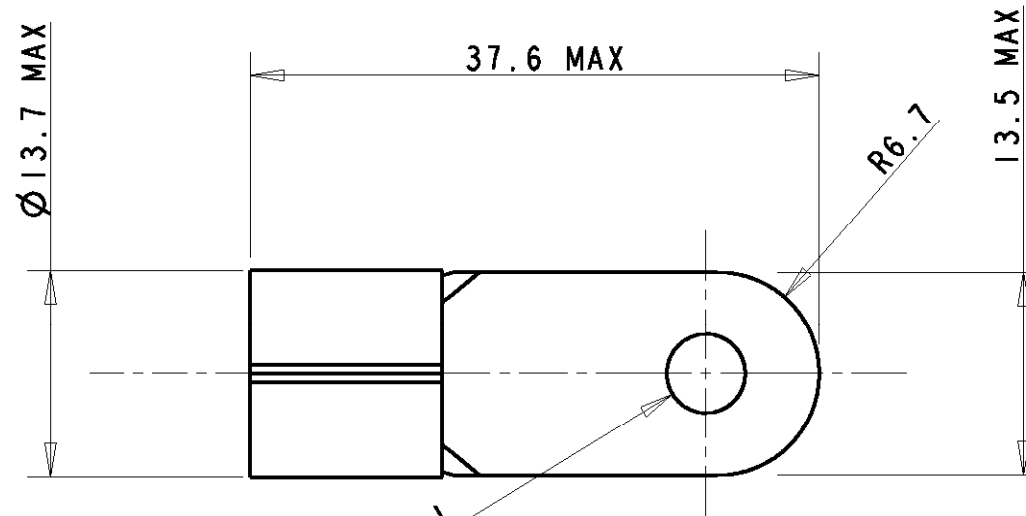


P	LTR	DESCRIPTION	DATE	DWN	APVD
	A2	REVISED PER ECR-15-014170	25SEP2015	BMW	NK

- 1 EPAISSEUR METAL : 1,78±0,08
- 2 SECTION FIL : 26,7 A 42,4 mm²
- 3 MARQUAGE : AMP 2W* 60-75



ECHELLE 1:1



Ø 5.2±0.1
POUR VIS M 5

REFERENCE : 132101-2

<small>THIS DRAWING IS A CONTROLLED DOCUMENT FOR TICO ELECTRONICS CORPORATION IT IS SUBJECT TO CHANGE AND THE CONTROLLING ENGINEERING ORGANIZATION SHOULD BE CONTACTED FOR THE LATEST REVISION.</small>		DWN JJ. DESPRETZ 04 JUL 2005 CHK G-ROBERT 04 JUL 2005 APVD Y-PETRONIN 04 JUL 2005		TE Connectivity	
DIMENSIONS: mm		TOLERANCES UNLESS OTHERWISE SPECIFIED: 0 PLC ± 1 PLC ±0.30 2 PLC ± 3 PLC ± 4 PLC ± ANGLES ±3°		NAME TERMINAL, RING TONGUE, 2 AWG, SOLISTRAND	
MATERIAL CUIVRE FINISH ETAME		PRODUCT SPEC - APPLICATION SPEC - WEIGHT -		SIZE A3 CAGE CODE - DRAWING NO C-132101 RESTRICTED TO -	
CUSTOMER DRAWING				SCALE 2:1 SHEET 1 OF 1 REV A2	