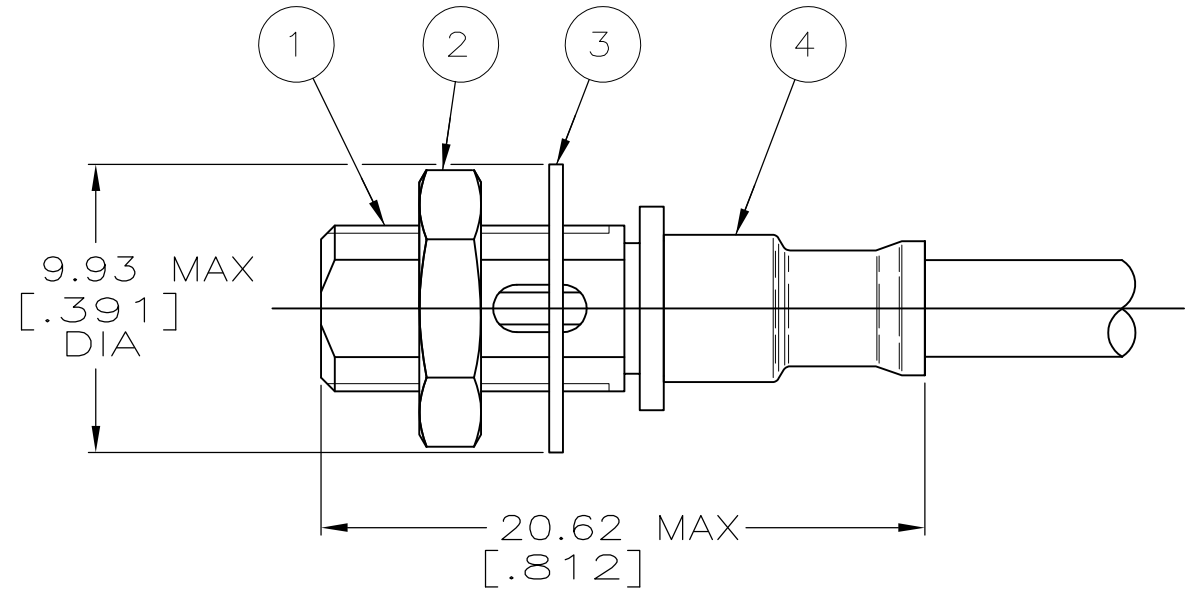


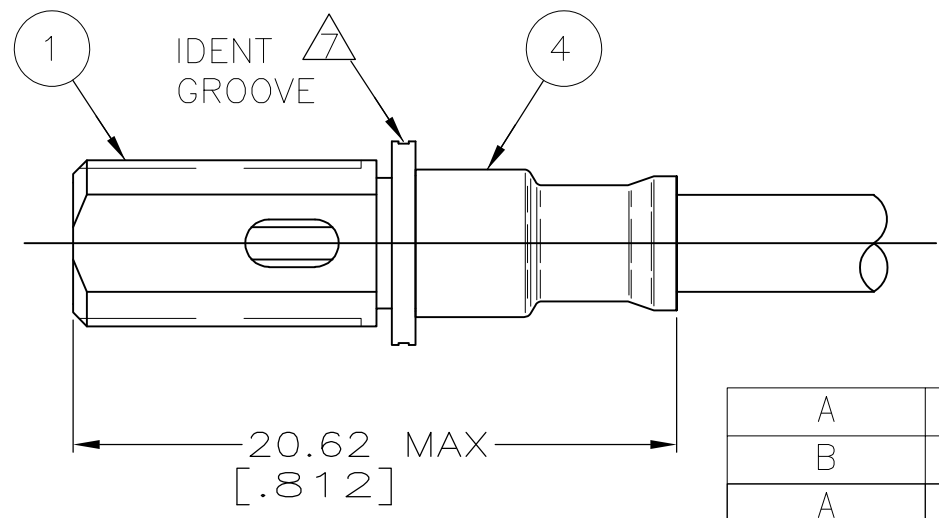
THIS DRAWING IS UNPUBLISHED. RELEASED FOR PUBLICATION
 © COPYRIGHT - By - ALL RIGHTS RESERVED.

LOC	DIST	REVISIONS			
P	LTR	DESCRIPTION	DATE	DWN	APVD
DF	XO				
	R3	REVISED PER ECO-14-012491	15AUG14	AM	MY

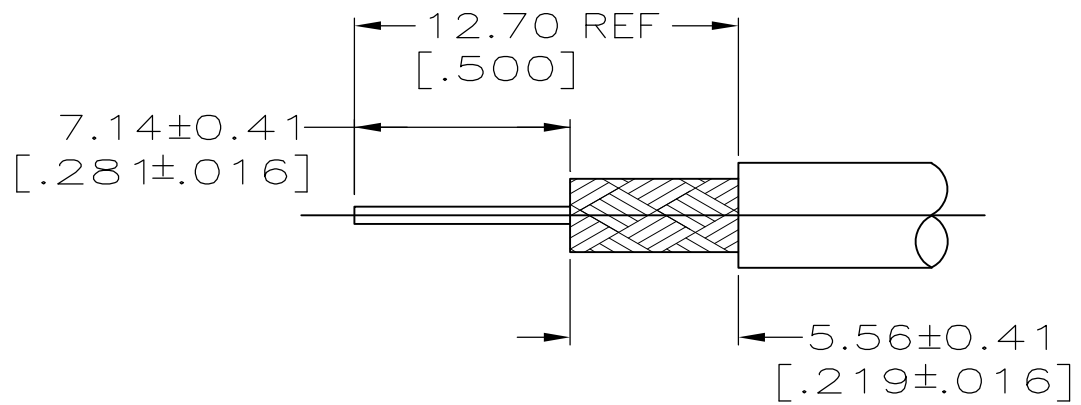


VIEW A

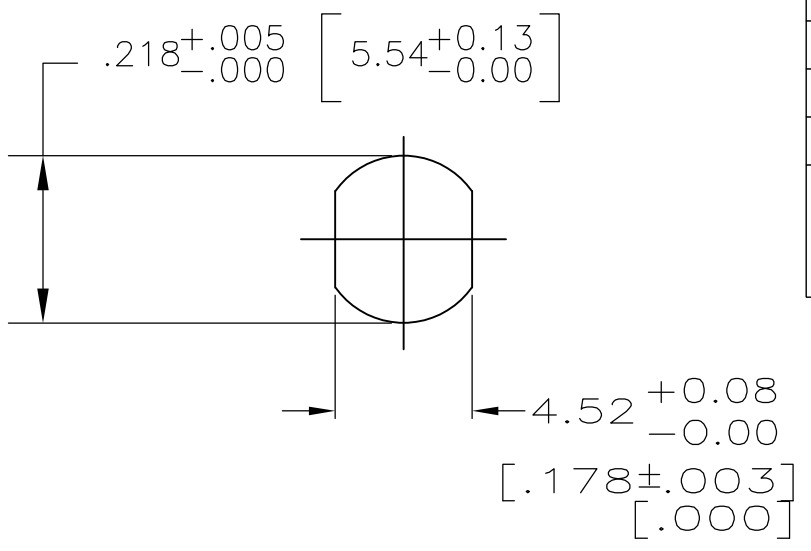
- FOR USE WITH RG-180/U, 180A/U & 195/U CABLE
 - USE CRIMPING TOOL 69143
 - SEE I.S. 1771
 - MAX PANEL THICKNESS = .125
 - PRODUCT IS DESIGNED TO MEET PRODUCT SPECIFICATION 108-12013
 - PARTS PACKAGED UNASSEMBLED
- .013X .002 DEEP IDENT GROOVE, ONLY FOR 1-330599-5
 RESTRICTED SALES TO PROVIBTECH.



VIEW B



RECOMMENDED STRIP LENGTH



RECOMMENDED PANEL CUTOUT

A	1883198-1	5-328691-0	5-328690-0	5-330598-0	6-330599-0
B	3-329049-0	-	-	330598-3	1-330599-5
A	329049	328691	328690	330598-2	1-330599-4
B	3-329049-0	-	-	330598-1	1-330599-3
A	3-329049-0	1-328691-2	1-328690-2	330598-1	1-330599-2
B	329049	-	-	330598	1-330599-1
A	329049	328691	328690	330598	1-330599-0
-	-	328691	328690	330598	330599
VIEW	FERRULE QTY=1	LOCKWASHER QTY=1	JAM NUT QTY=1	RECEPTACLE ASSEMBLY QTY=1	PART NUMBER

THIS DRAWING IS A CONTROLLED DOCUMENT.

DIMENSIONS: INCHES	TOLERANCES UNLESS OTHERWISE SPECIFIED:	DWN B. WERNER 07/JUL/95	TE Connectivity
	0 PLC ± - 1 PLC ± - 2 PLC ± - 3 PLC ± - 4 PLC ± - ANGLES ± -	CHK G. MICHAEL 13/JUL/95	
MATERIAL SEE TABLE	FINISH -	APVD G. MICHAEL 13/JUL/95	NAME
		PRODUCT SPEC -	RECEPTACLE, SERIES MINIATURE THREADED
		APPLICATION SPEC -	SIZE A3 CAGE CODE 00779 DRAWING NO C-330599 RESTRICTED TO -
		WEIGHT -	SCALE 4:1 SHEET 1 OF 1 REV R3

CUSTOMER DRAWING