

4

3

2

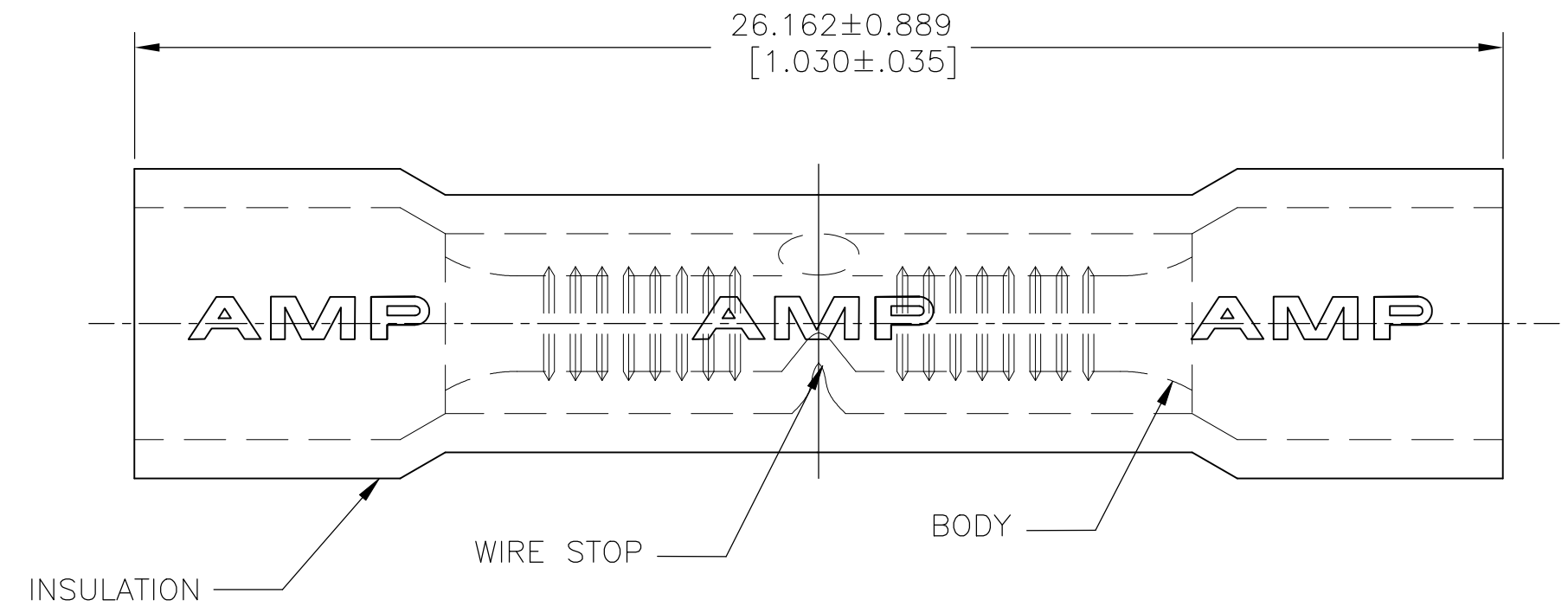
1

THIS DRAWING IS UNPUBLISHED. RELEASED FOR PUBLICATION - , - .
 © COPYRIGHT - By - ALL RIGHTS RESERVED.

REVISIONS					
P	LTR	DESCRIPTION	DATE	DWN	APVD
	J1	REVISED PER ECO-11-020548	06FEB12	KH	DR
	J2	REVISED PER ECO-17-014338	14MAY2018	RS	DR

D

D



C

C


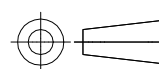
B

B

2500	TAPE AND REEL	4.318[.170] MAX	INSULATION: PVC COLOR: RED BODY: COPPER PER ASTM B152, ANNEALED TIN PLATE PER ASTM B545	1-34243-1
1000	LOOSE PIECE	4.318[.170] MAX		34243
QTY	PACKAGE TYPE	INS DIA.	MATERIAL & FINISH	PART NO

A

A

AMP INCORPORATED CUSTOMER SERVICE SYSTEMS		THIS DRAWING IS A CONTROLLED DOCUMENT.		DWN KIRAN HOLAL 11JAN12	 TE Connectivity Ltd.				
FOR ADDITIONAL PRODUCT INFORMATION OR COPIES OF DRAWINGS AND TECHNICAL DOCUMENTS	PRODUCT INFORMATION CENTER 1-800-522-6752	MAX RECOMMENDED OPERATING TEMPERATURE: 105°C [221°F] MAX	DIMENSIONS: mm [INCHES]	CHK ROHDE DANIEL 11JAN12				NAME WIRE SPLICE PLASTI-GRIP-BUTT WIRE SIZE: 22-16	
FOR APPLICATION TOOLING INFORMATION	TOOLING ASSISTANCE CENTER 1-800-722-1111	VOLTAGE RATING: 600V MAX (1000V FIXTURE OR SIGNS)		APVD ROHDE DANIEL 11JAN12	PRODUCT SPEC UL486A-B				
FOR ORDER ENTRY	1-800-526-5142	CIRCULAR MIL AREA: 0.26-1.65mm²[509-3,260] SOLID OR STRANDED	MATERIAL -	FINISH -				APPLICATION SPEC 114-2161	SIZE A3
CUSTOMER DRAWING					WEIGHT	SCALE 8:1	SHEET 1 OF 1	REV J2	