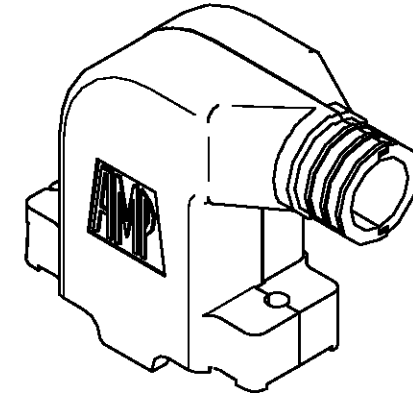
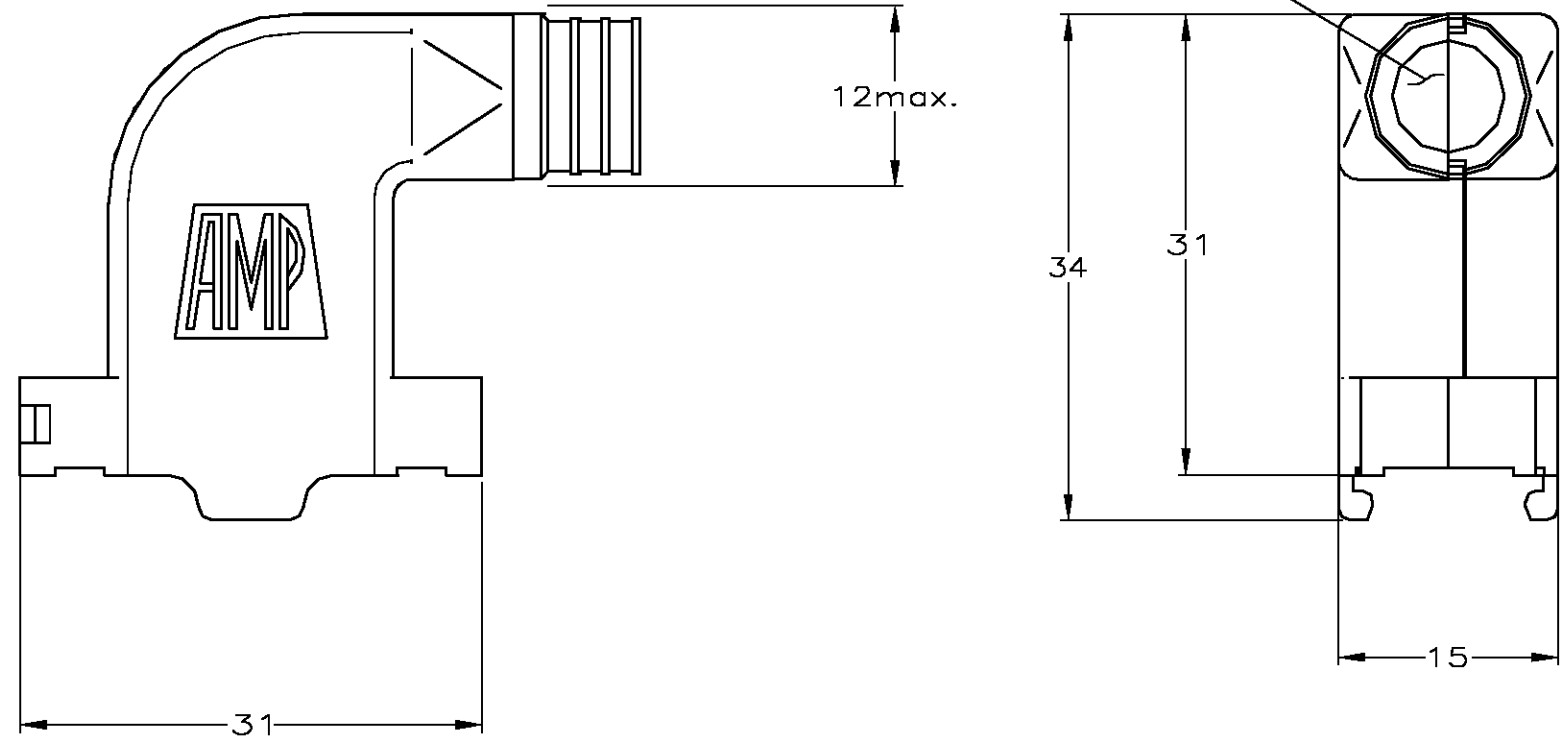


THIS DRAWING IS UNPUBLISHED. RELEASED FOR PUBLICATION
 © COPYRIGHT BY TYCO ELECTRONICS CORPORATION. ALL RIGHTS RESERVED.

| LOC | DIST | REVISIONS | | | |
|-----|------|-------------|---------------|-----------|---------|
| P | LTR | DESCRIPTION | DATE | DWN | APVD |
| A | - | A | ECR-05-007048 | 22 JUL 05 | JvdH JB |

CABLE DIAMETER 7,5 MAX.



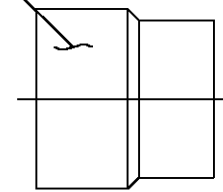
NOTES:

- 1 PART PACKED UNASSEMBLED.
- 2 KIT CONTAINS OF TWO CABLE CLAMP HALVES.
- 3 BULKPACKAGE OF 100 KITS.

SUPERSEDED BY 134752-3

| | | | | |
|-----------------|---|--------|------|-------------|
| INDIVIDUAL KIT. | 2 | NICKEL | WITH | 134752 -3 |
| BULKPACKAGE. | 3 | NICKEL | WITH | 134752 -2 |
| BULKPACKAGE. | 3 | PLAIN | WITH | 134752 -1 |
| | | FINISH | LOGO | PART NUMBER |

FERRULE TO BE ORDERED SEPARATELY.



| CABLE OUTSIDE DIAMETER | N° Ferrule |
|------------------------|------------|
| 4,2-6,2 | 747579-8 |
| 6,2-8,2 | 1-747579-0 |
| 8,2-9,5 | 1-747579-1 |
| 9,5-11,1 | 1-747579-2 |

| | | | | |
|---|-------------------|------------------------|---|-----------------|
| THIS DRAWING IS A CONTROLLED DOCUMENT. | | DWN JP PICAUD 21.IX.88 | Tyco Electronics, Nederland BV 's-Hertogenbosch, Netherlands | |
| DIMENSIONS: mm | | CHK - | NAME | |
| | | APVD - | 90 DEGREES AMPLIMITE CABLE CLAMP SIZE 1 | |
| TOLERANCES UNLESS OTHERWISE SPECIFIED: | | PRODUCT SPEC - | RESTRICTED TO | |
| 0 PLC ± - 1 PLC ± - 2 PLC ± - 3 PLC ± - 4 PLC ± - ANGLES ± - | | APPLICATION SPEC - | SIZE A3 | CAGE CODE 00779 |
| MATERIAL ZAMAK | FINISH SEE TABLE. | WEIGHT - | DRAWING NO C=134752 | |
| CUSTOMER DRAWING | | | SCALE 2:1 | SHEET 1 OF 1 |
| | | | REV A | |