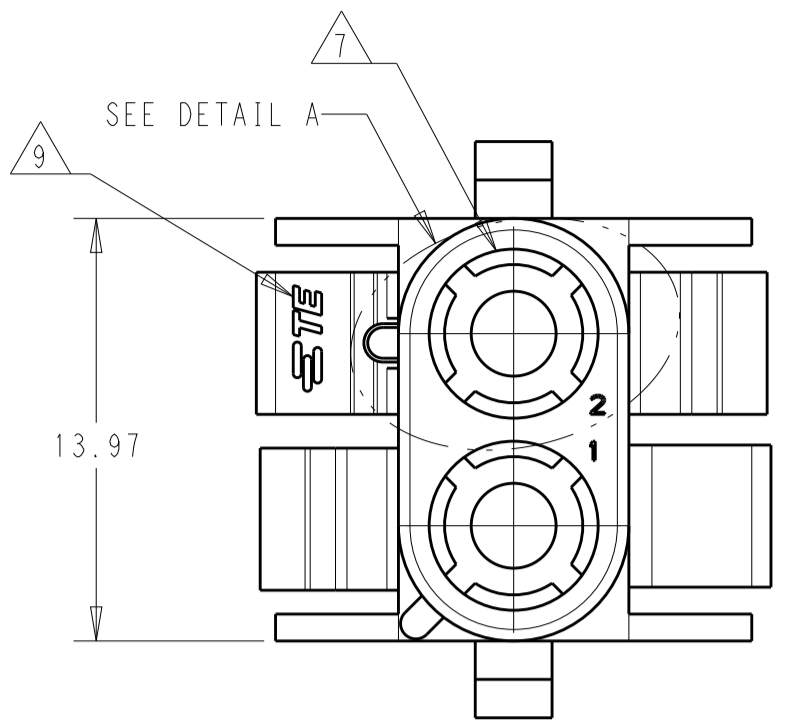
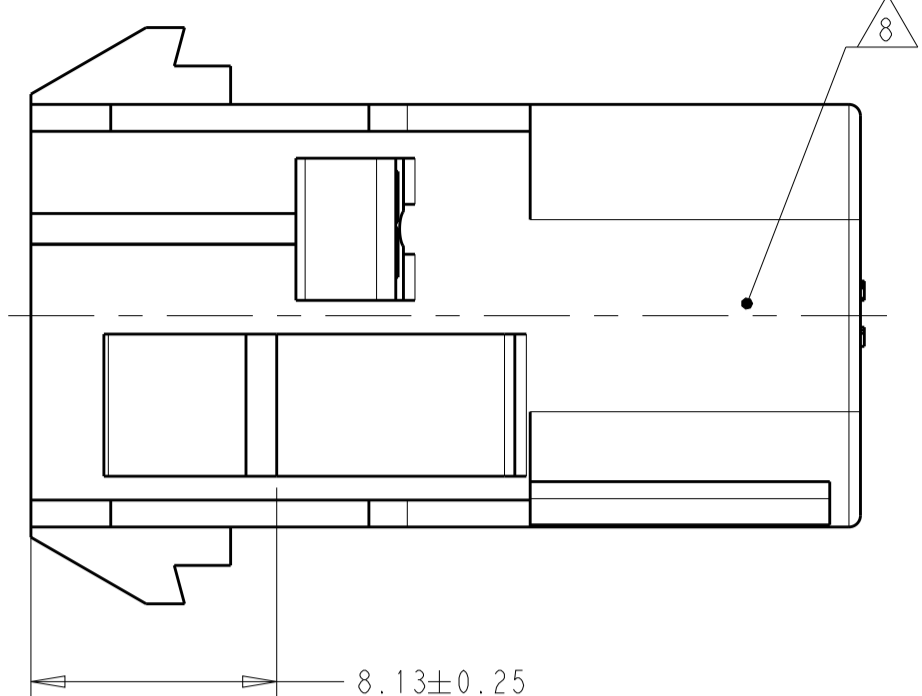
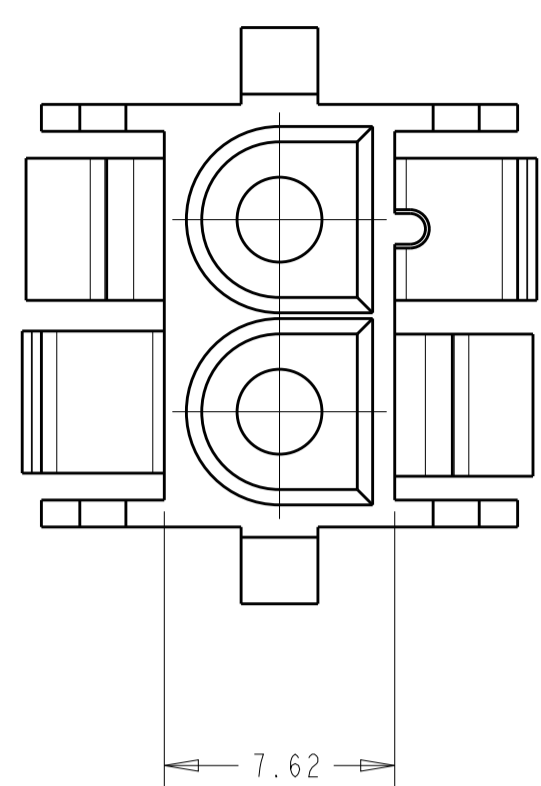
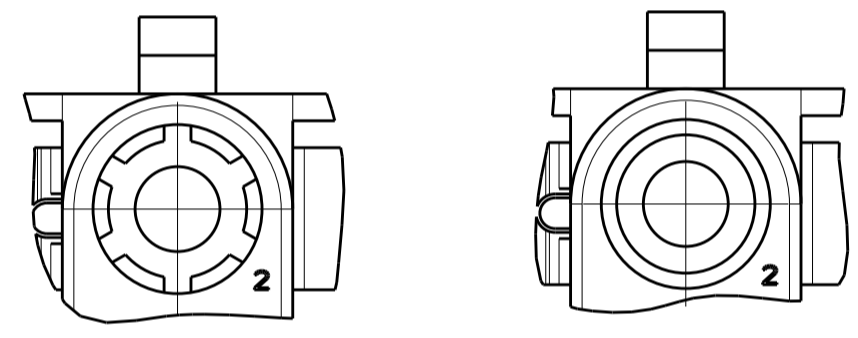


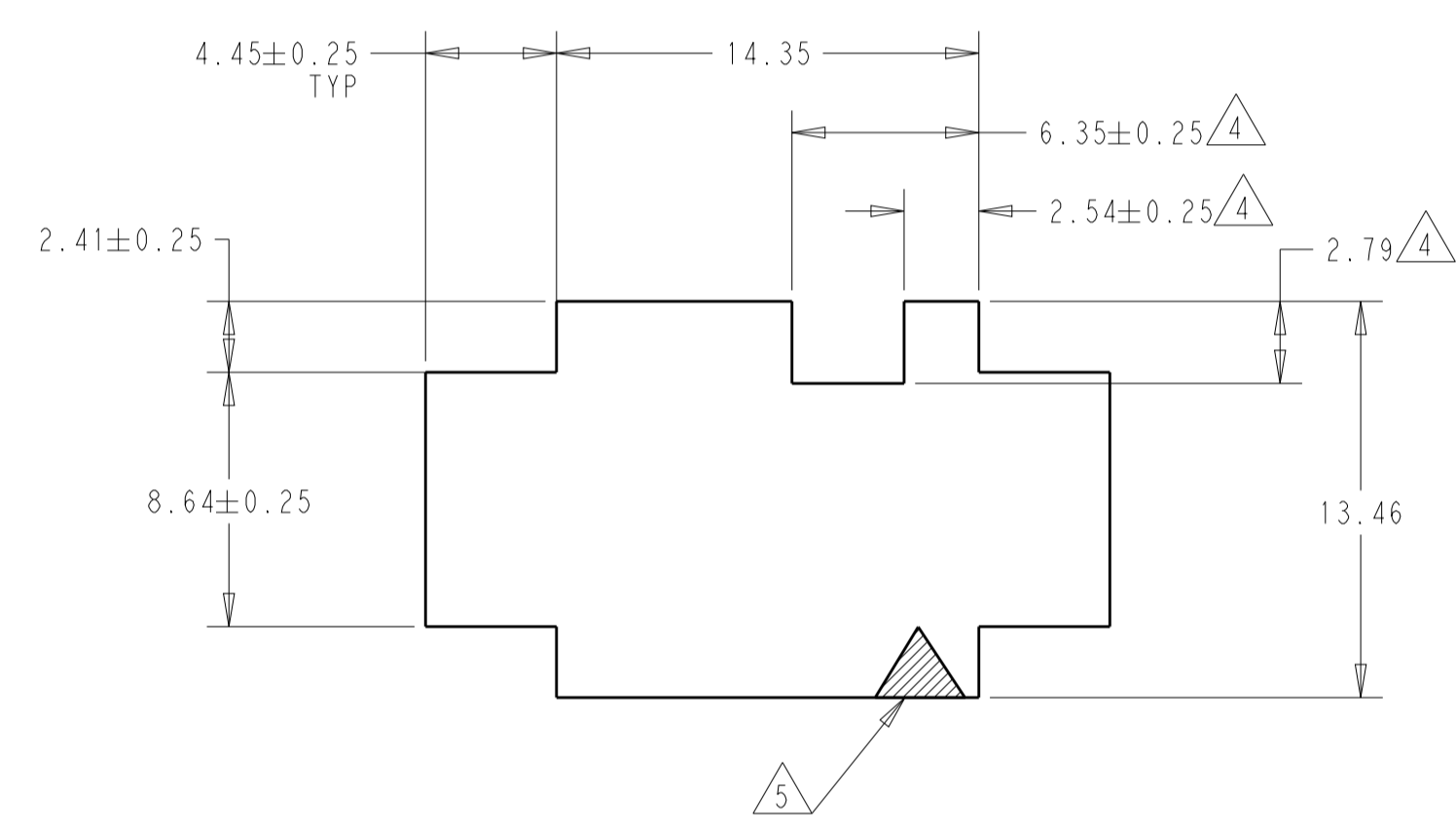
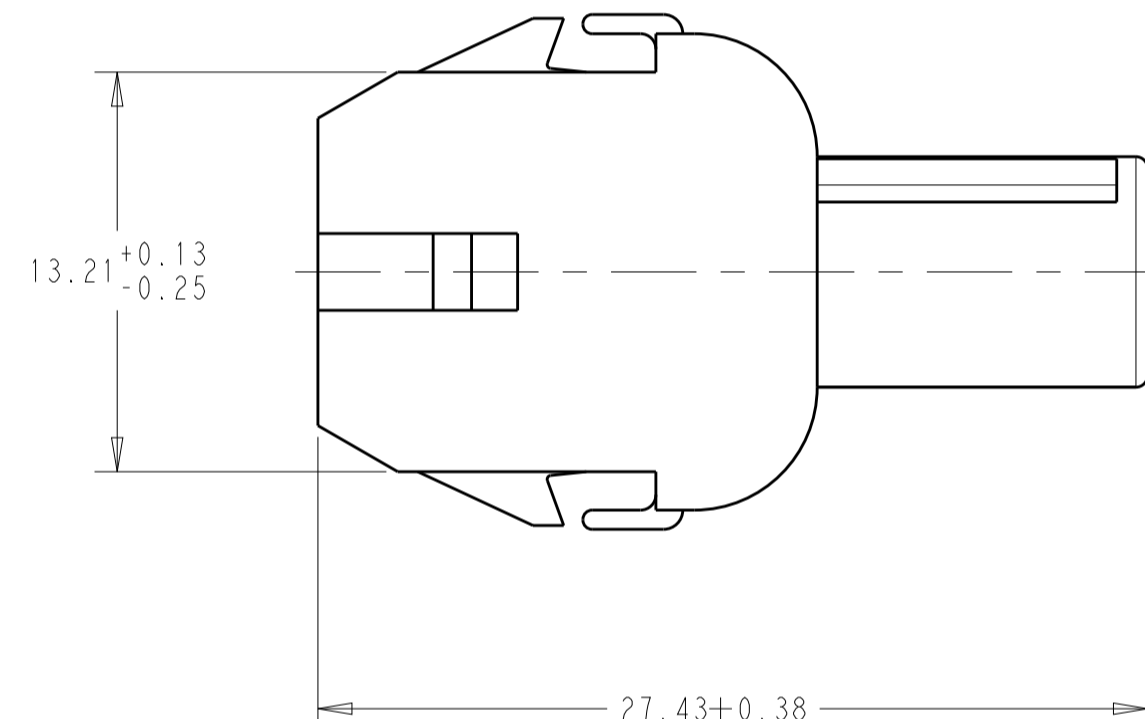
REVISIONS				
P.	LTN	DESCRIPTION	DATE	APVD
AG9		REDRAWN PER ECO-19-005708	02MAY2019	BKW SF



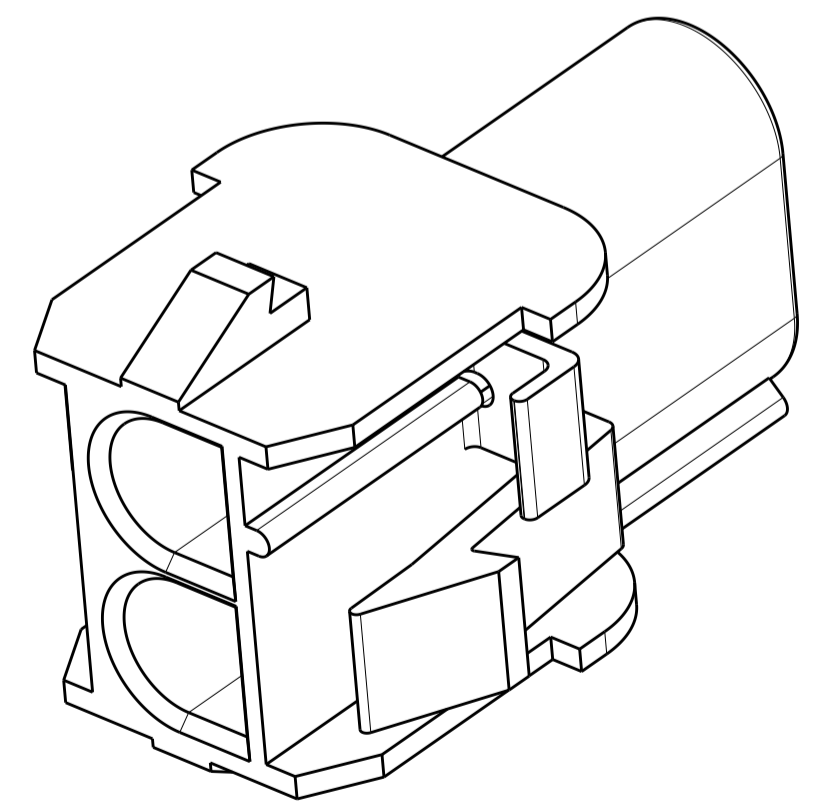
1. MATES WITH APPROPRIATE UNIVERSAL MATE-N-LOCK™ PLUG
2. RECOMMENDED PANEL THICKNESS 0.76 - 2.29.
3. PANEL MUST BE PUNCHED SO THAT THE HOUSING ENTERS THE PANEL IN THE SAME DIRECTION AS THE PUNCH.
4. OPTIONAL FOR KEYING HOUSING IN PANEL.
5. CIRCUIT NUMBER 1 LOCATION.
6. DIMENSIONS SHOWN REPRESENT PRODUCT IN DRY, AS MOLDED, CONDITION. ADDITIONAL 2% GROWTH DUE TO SUBSEQUENT MOISTURE ABSORPTION MAY OCCUR AND SHOULD BE ACCOUNTED FOR.
7. FOUR RIBS EQUALLY SPACED, NO SPECIFIC ORIENTATION. NO RIBS OR SIX RIBS EQUALLY SPACED, NO SPECIFIC ORIENTATION, OPTIONAL.
8. UNDERWRITERS RECOGNIZED COMPONENT LOGO AND CSA CERTIFICATION LOGO TO BE LOCATED ONCE EACH ON SIDE OF HOUSING.
9. TRADEMARK LOCATION: AMP OR TE



DETAIL A
OPTIONAL CONSTRUCTIONS



RECOMMENDED PANEL CUTOUT



BLACK	1-350778-9
GRAY	1-350778-8
BLUE	1-350778-6
GREEN	1-350778-5
YELLOW	1-350778-4
ORANGE	1-350778-3
RED	1-350778-2
BROWN	1-350778-1
NATURAL	350778-1
COLOR	PART NUMBER

THIS DRAWING IS A CONTROLLED DOCUMENT.		DWN B. WEAVER 02MAY2019	TE Connectivity
DIMENSIONS:		CHK S. FERNANDES 02MAY2019	
mm	TOLERANCES UNLESS OTHERWISE SPECIFIED:	APVD T. BENCHOFF 02MAY2019	NAME CAP, 2 CIRCUIT UNIVERSAL MATE-N-LOCK
0 PLC ±	1 PLC ±	PRODUCT SPEC	SIZE
2 PLC ±0.13	3 PLC ±	APPLICATION SPEC	CAGE CODE
4 PLC ±	ANGLES ±1°	WEIGHT	DRAWING NO
MATERIAL NYLON UL94V-0	FINISH	CUSTOMER DRAWING	RESTRICTED TO
A 00779 C=350778			SCALE 4:1 SHEET 1 OF 1 REV V4