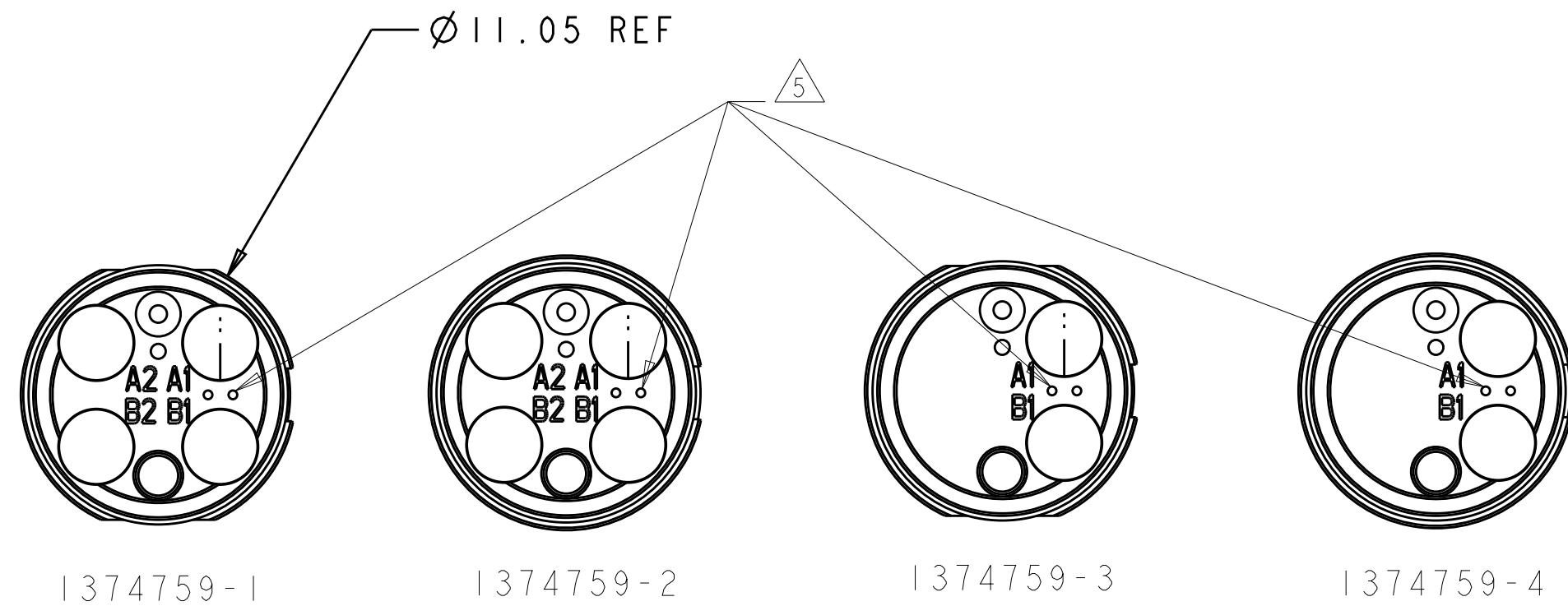
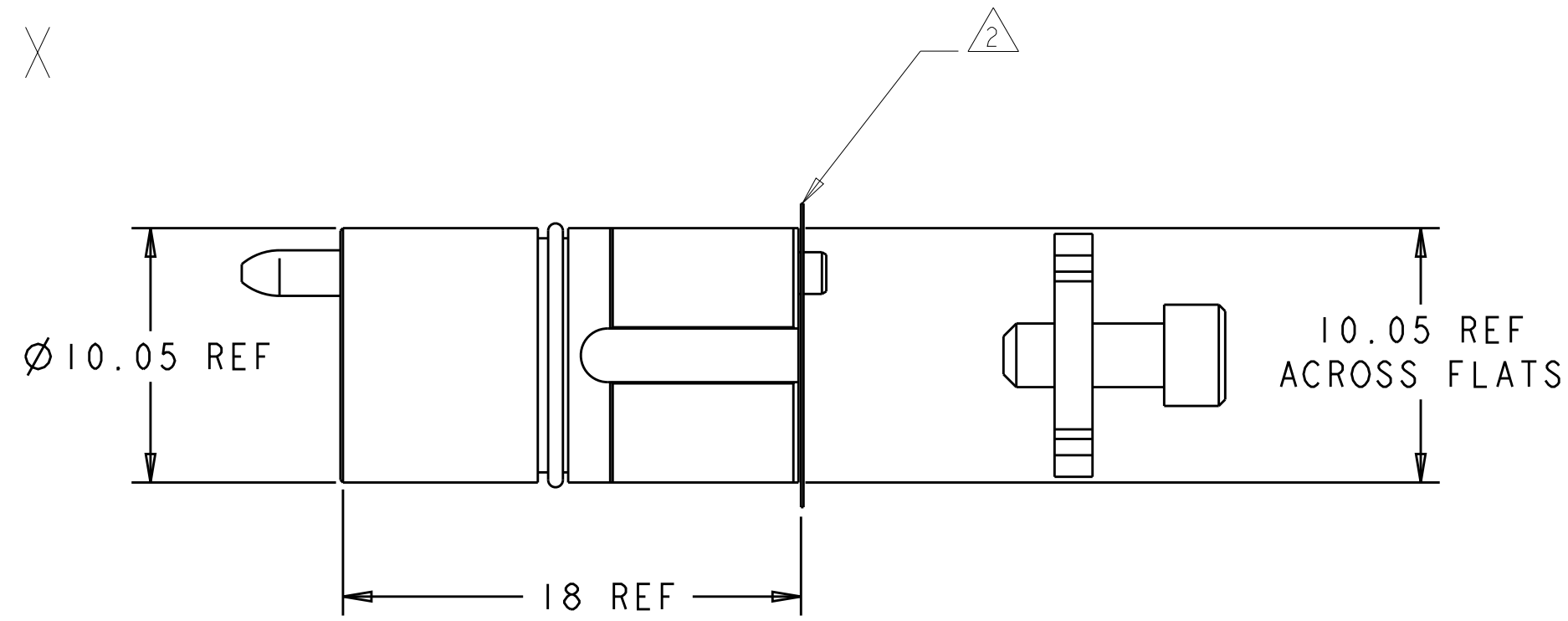
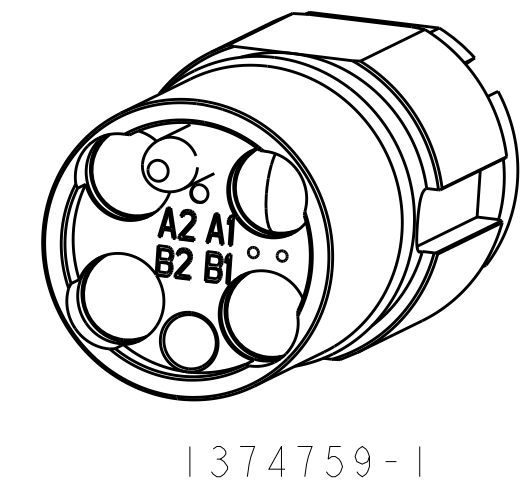
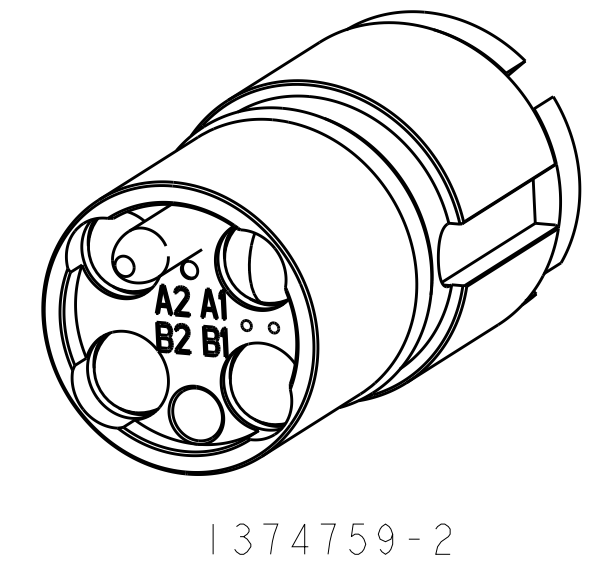


THIS DRAWING IS UNPUBLISHED. RELEASED FOR PUBLICATION 20
 © COPYRIGHT 20 BY - ALL RIGHTS RESERVED.

REVISIONS				
P	LTR	DESCRIPTION	DATE	APVD
D1		ECR-12-003450	22FEB2012	KG DW
D2		ECR-16-011101	04NOV2016	KG DW
E		ECR-17-017775	12DEC2017	KG DW
E1		CORRECTED STATUS ERROR	10JAN2018	KG DW

1. THIS PRODUCT HAS NOT COMPLETED VALIDATION TESTING.
2. PROTECTIVE LABEL APPLIED AFTER FINAL CLEAN ROOM TEST TO PREVENT OPTICAL CAVITY CONTAMINATION. REMOVE ONLY WHEN READY TO ASSEMBLE.
3. FOR USE WITH FERRULE ASSEMBLY KIT P/N 1754700-2 OR 1754699-1, ONE PER FIBER.
4. FOR USE WITH JACKETED CABLE FERRULE ASSEMBLY P/N 1754456-2, ONE PER FIBER.
5. MULTIMODE IDENTIFIER.



VIEW X - X
 (SHOWN WITHOUT PROTECTIVE LABEL)

4	OBSOLETE	2 CHANNEL, 850/1300nm MM	1374759-8
4	OBSOLETE	2 CHANNEL, 850/1300nm MM, ARINC	1374759-7
4	OBSOLETE	4 CHANNEL, 850/1300nm MM	1374759-6
4	OBSOLETE	4 CHANNEL, 850/1300nm MM, ARINC	1374759-5
3		2 CHANNEL, 850/1300nm MM	1374759-4
3		2 CHANNEL, 850/1300nm MM, ARINC	1374759-3
3		4 CHANNEL, 850/1300nm MM	1374759-2
3		4 CHANNEL, 850/1300nm MM, ARINC	1374759-1
		DESCRIPTION	PART NUMBER

THIS DRAWING IS A CONTROLLED DOCUMENT.		DWN K. GLATFELTER 19 APR 2004	TE Connectivity	
DIMENSIONS: mm		CHK D. WERTMAN 07 JUN 2004		
TOLERANCES UNLESS OTHERWISE SPECIFIED:		APVD D. WERTMAN 07 JUN 2004	NAME INSERT ASSEMBLY, MINI EB 850/1300nm, MM	
0 PLC ± 1 PLC ± 2 PLC ± 3 PLC ± 4 PLC ± ANGLES ± FINISH		PRODUCT SPEC -	SIZE A2	
MATERIAL STAINLESS ALLOYS- & NBR		APPLICATION SPEC -	CAGE CODE 00779	DRAWING NO C-1374759
		WEIGHT -	RESTRICTED TO -	
		CUSTOMER DRAWING	SCALE 4:1	SHEET OF REV E1