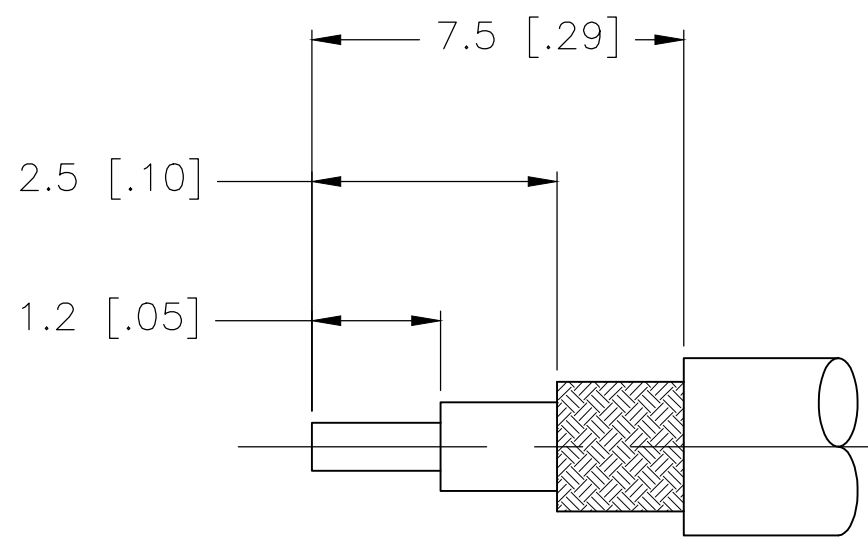
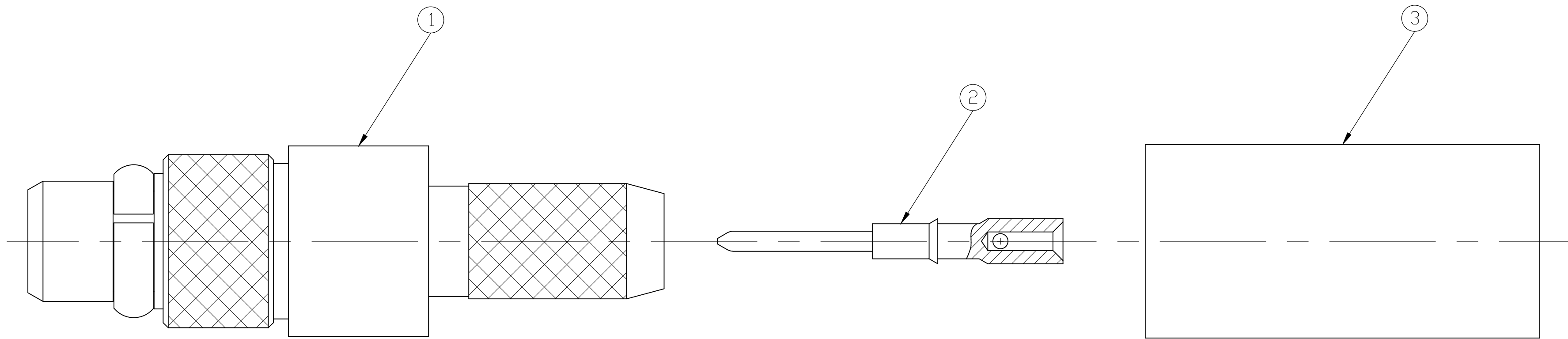


THIS DRAWING IS UNPUBLISHED. RELEASED FOR PUBLICATION  
 © COPYRIGHT - TE Connectivity Ltd. ALL RIGHTS RESERVED.

REVISIONS				
P	LTR	DESCRIPTION	DATE	APVD
C1		ECO-15-013027	25JUN2018	RZ RS



RECOMMENDED CABLE STRIP LENGTH (NTS)

1. ITEMS 1, 2, AND 3 PACKAGED UNASSEMBLED

② CRIMP REQUIREMENTS: CENTER CONTACT .70 [.028] SQUARE

③ CRIMP REQUIREMENTS: FERRULE 3.25 [.128] HEX

④ CRIMP REQUIREMENTS: FERRULE 3.86 [.152] HEX

	RD-316	3-413889-2	1408215-4	1408317-1	1408312-2
Obsolete	RG-316	3-413889-1	1408215-4	1408317-1	1408312-1
	CABLE CRIMP INFO	FERRULE	CONTACT	PLUG ASSY	PART NUMBER

THIS DRAWING IS A CONTROLLED DOCUMENT.		DWN RMF 01OCT01	TE Connectivity Ltd. <b>MMCX STRAIGHT CABLE PLUG</b>		
DIMENSIONS: mm		CHK RMF 02OCT01			
TOLERANCES UNLESS OTHERWISE SPECIFIED:		APVD RMF 02OCT01			
0 PLC ± - 1 PLC ± 0.1 [.004] 2 PLC ± 0.05 [.002] 3 PLC ± - 4 PLC ± - ANGLES ± 1°		PRODUCT SPEC 108-2084			
MATERIAL -		FINISH -	APPLICATION SPEC 408-8626	SIZE A2	CAGE CODE 00779
CUSTOMER DRAWING			WEIGHT 0.000000	DRAWING NO C=1408312	RESTRICTED TO -
			SCALE 15:1	SHEET 1 OF 1	REV C1