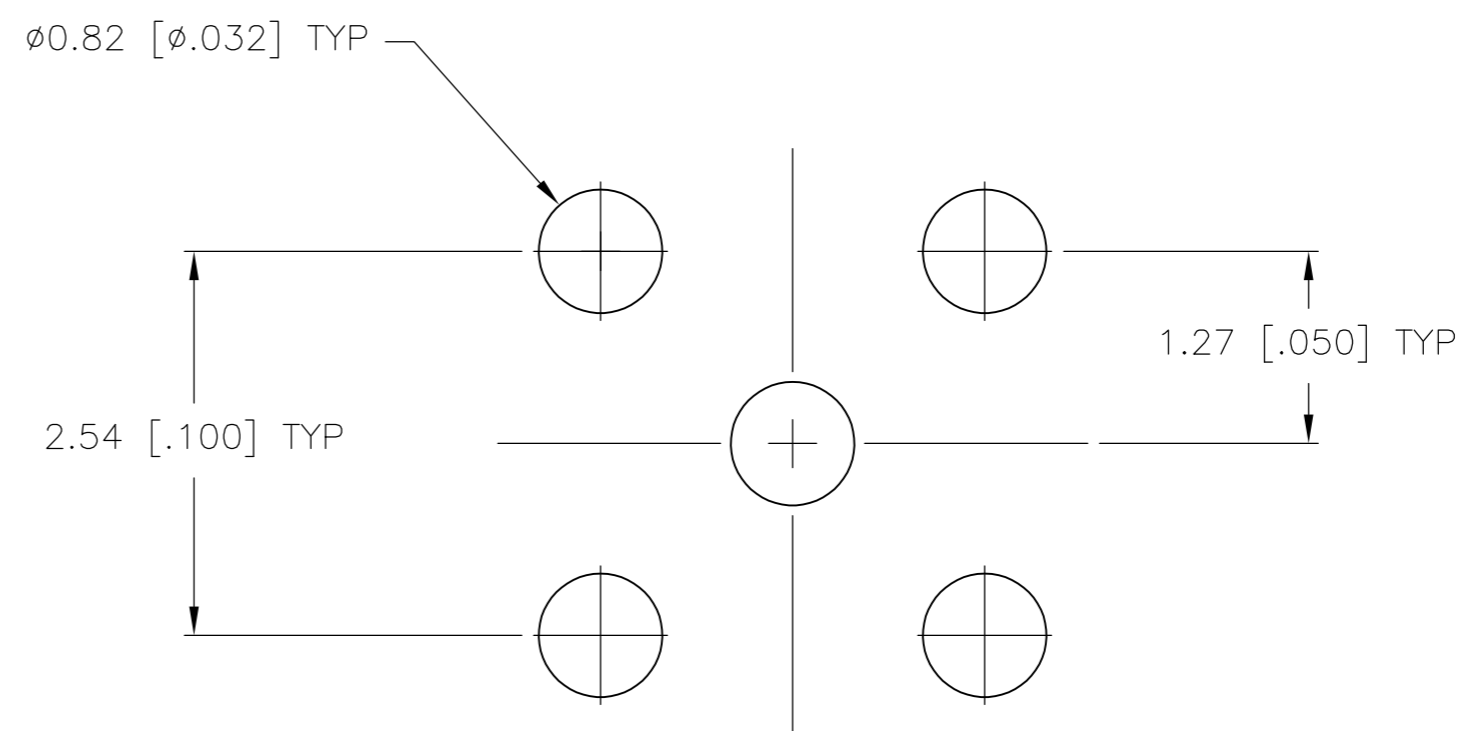
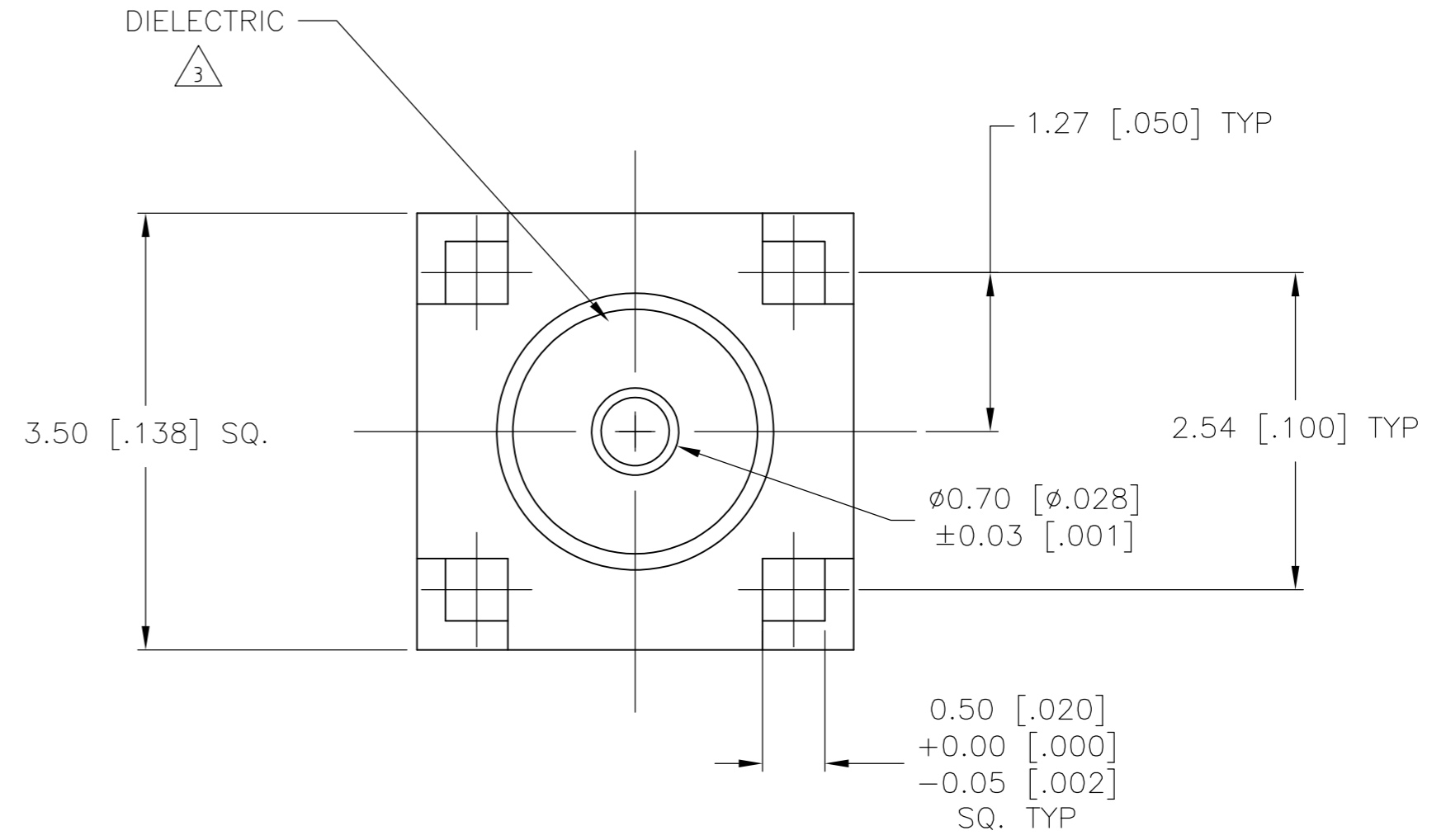
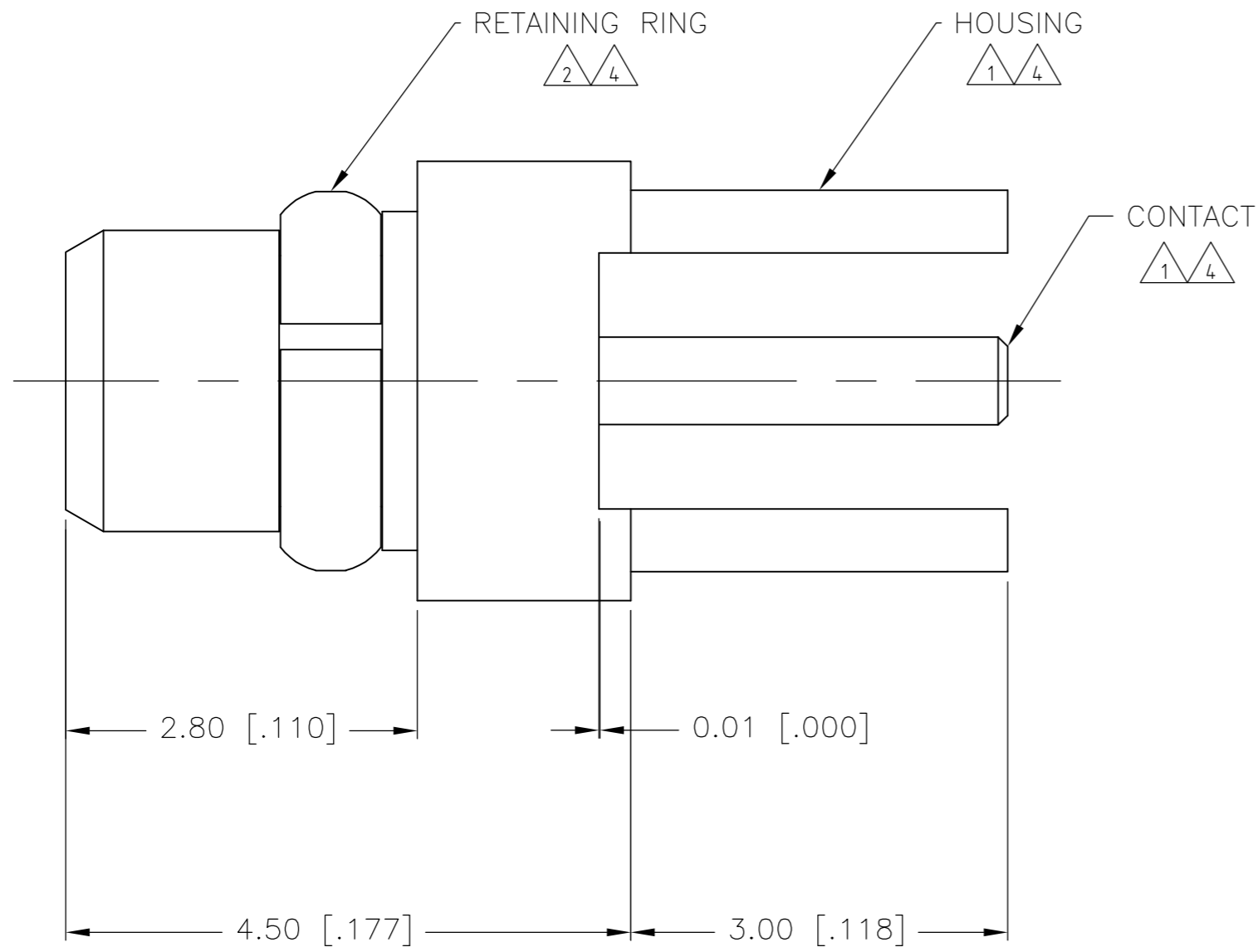


THIS DRAWING IS UNPUBLISHED. RELEASED FOR PUBLICATION
 © COPYRIGHT - By - ALL RIGHTS RESERVED.

LOC		DIST		REVISIONS			
P	LTR	DESCRIPTION		DATE	DWN	APVD	
	B1	REVISED PER ECO-11-005030		11MAR11	RK	HMR	



RECOMMENDED PCB LAYOUT
 TOLERANCE ±0.08 [.003]

- 1 BRASS PER ASTM-B-16
- 2 BERYLLIUM COPPER PER ASTM-B-196
- 3 PTFE PER ASTM-D-1710
- 4 GOLD PLATE PER ASTM-B488
- 5. PRODUCT HAS NOT COMPLETED QUALIFICATION TESTING.

1408496-1
 PART NUMBER

THIS DRAWING IS A CONTROLLED DOCUMENT.		DWN	K. WEIDNER	17JUN03	STE TE Connectivity											
DIMENSIONS: mm [INCHES]		CHK	K. WEIDNER	05APR04												
TOLERANCES UNLESS OTHERWISE SPECIFIED:		APVD	K. WEIDNER	05APR04												
<table border="1"> <tr><td>0 PLC</td><td>± -</td></tr> <tr><td>1 PLC</td><td>± 0.26 [.010]</td></tr> <tr><td>2 PLC</td><td>± 0.13 [.005]</td></tr> <tr><td>3 PLC</td><td>± -</td></tr> <tr><td>4 PLC</td><td>± -</td></tr> <tr><td>ANGLES</td><td>± 1°</td></tr> </table>		0 PLC	± -	1 PLC		± 0.26 [.010]	2 PLC	± 0.13 [.005]	3 PLC	± -	4 PLC	± -	ANGLES	± 1°	NAME	
0 PLC	± -															
1 PLC	± 0.26 [.010]															
2 PLC	± 0.13 [.005]															
3 PLC	± -															
4 PLC	± -															
ANGLES	± 1°															
MATERIAL		FINISH		108-2084												
-		-		APPLICATION SPEC												
		WEIGHT		-												
		CUSTOMER DRAWING		SCALE 20:1 SHEET 1 OF 1 REV B1												