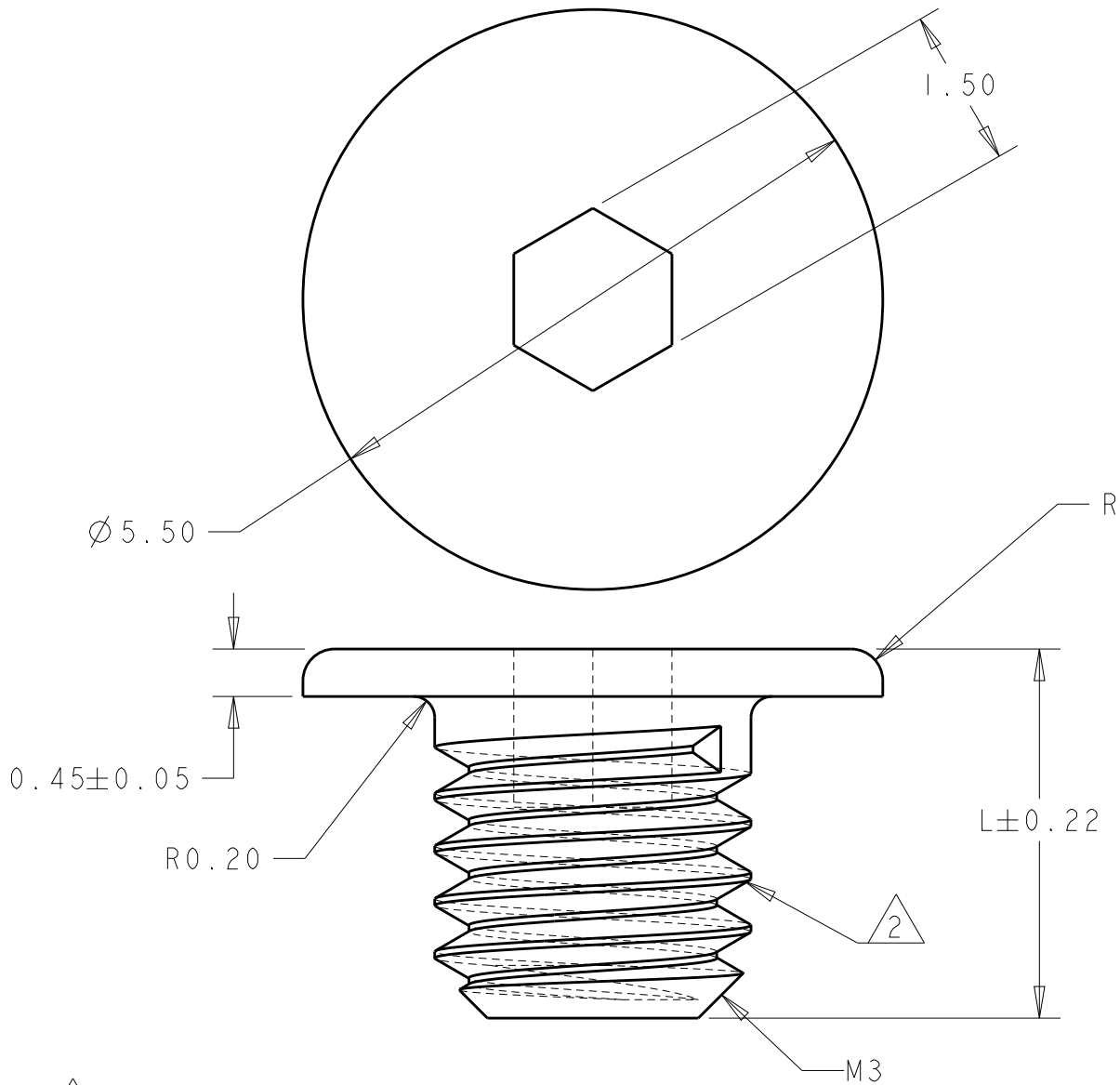


REVISIONS					
P	LTR	DESCRIPTION	DATE	DWN	APVD
	D1	REV PER ECR-16-001046	25JAN2016	ML	SZ
	D2	REV PER ECR-18-008350	31MAY2018	ML	SZ



1 MATERIAL: STAINLESS STEEL

2 YELLOW THREAD LOCKER APPLIED ON PORTION OF THREADS.

4.50	1410946-3
5.50	1410946-2
3.50	1410946-1
L	PART NUMBER

THIS DRAWING IS UNPUBLISHED. BY - TE CONNECTIVITY ALL RIGHTS RESERVED. COPYRIGHT 20

20 RELEASED FOR PUBLICATION

DIMENSIONS: mm		DWN R. TREA 03AUG2004	MATERIAL 1 -	FINISH -
TOLERANCES UNLESS OTHERWISE SPECIFIED:		CHK G.GRIFFITH 03AUG2004	TE Connectivity	
0 PLC ±-		APVD G.GRIFFITH 03AUG2004		
1 PLC ±-		PRODUCT SPEC -	NAME SOC. HD CAP SCREW CUSTOMIZED	
2 PLC ±0.13		APPLICATION SPEC -	SIZE A4	CAGE CODE -
3 PLC ±0.013		WEIGHT -	DRAWING NO C-1410946	RESTRICTED TO
4 PLC ±-				
ANGLES ±2°				
		CUSTOMER DRAWING	SCALE 15:1	SHEET 1 OF 1
				REV D2