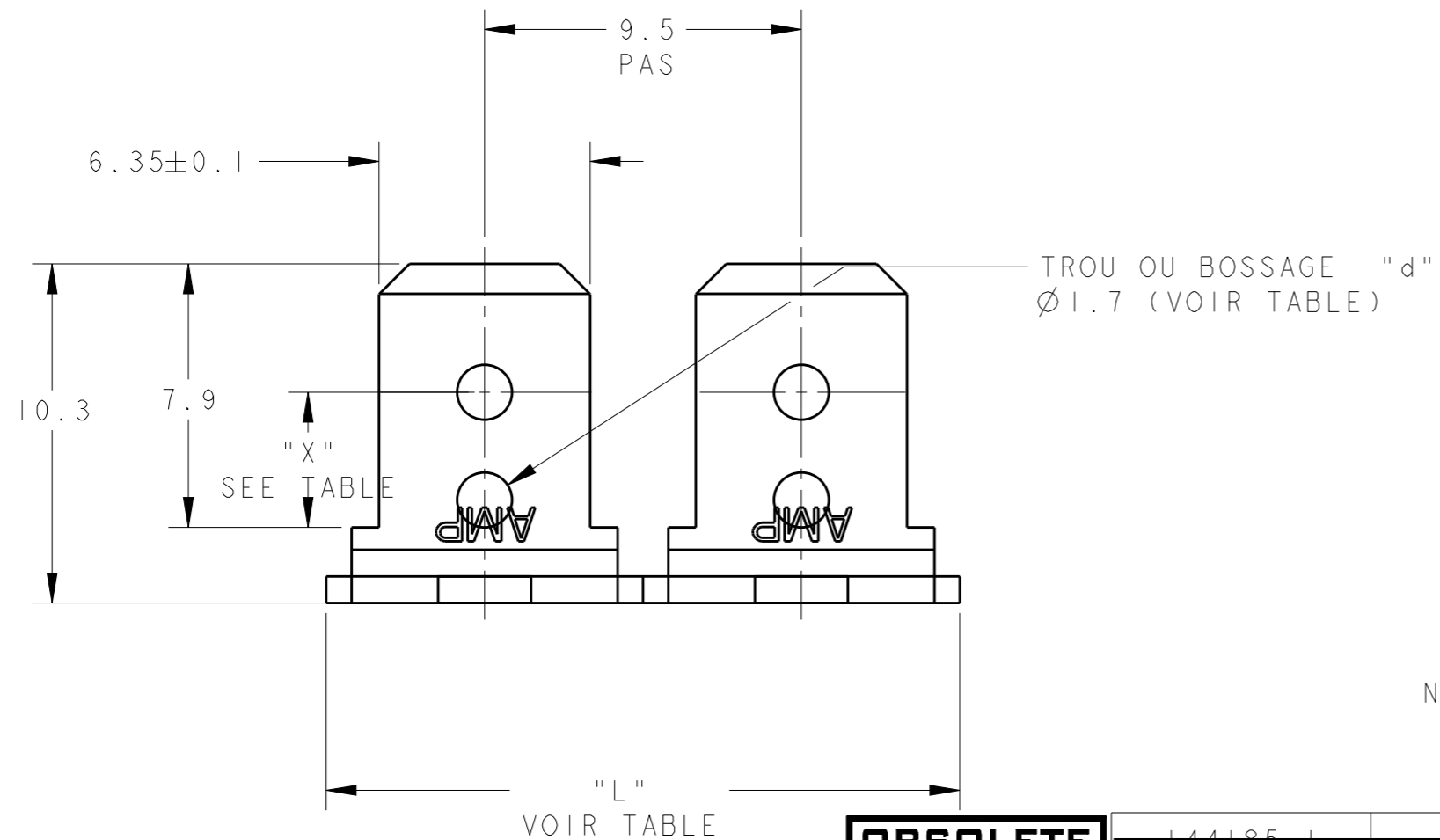


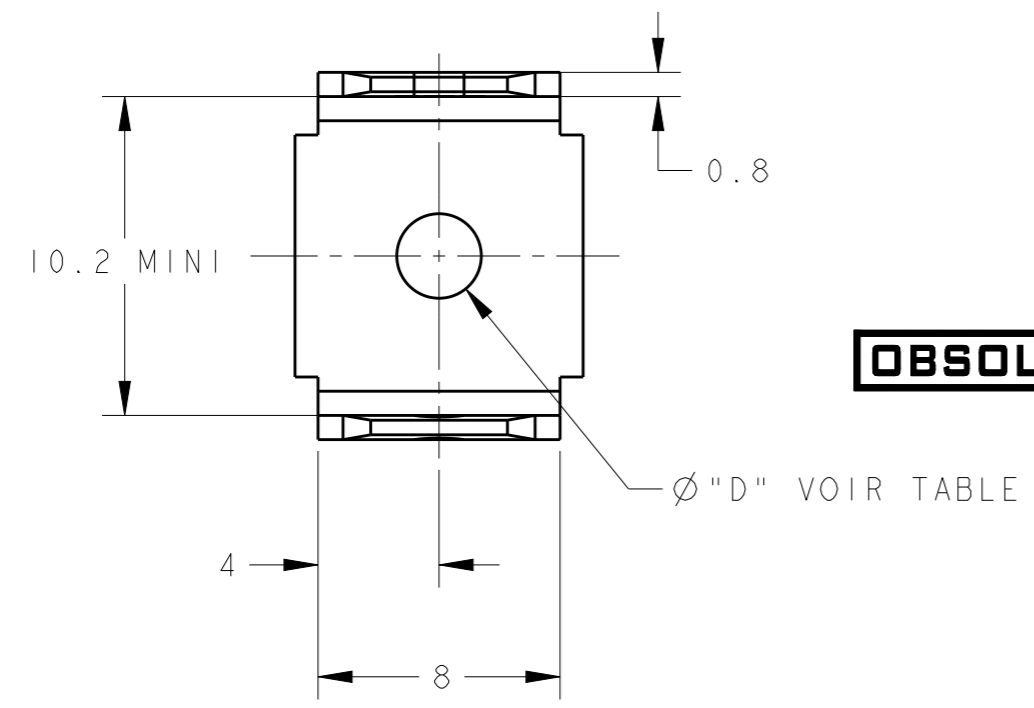
THIS DRAWING IS UNPUBLISHED.
 DIFFUSION RESTREINTE AMP
 © COPYRIGHT 20 BY TYCO ELECTRONICS CORPORATION. ALL RIGHTS RESERVED.
 TOUS DROITS RESERVES

RELEASED FOR PUBLICATION
 LIBRE A LA DIFFUSION
 20

LOC	DIST	REVISIONS				
P	LTR REV	DESCRIPTION MODIFICATIONS	DATE	DWN DESS.	APVD APP.	
F	7	G	140617/140722-1/-2 REACTIVE	OCT1992	JJD -	
		H	REDESSINE EN CAO	13OCT2000	JJD -	
		HI	REVISED PER ECR-17-009309	06JUL2017	BH RP	



NOTE : la position du trou (cote 4.1) est hors standard pour les ref. 141705-1/-2



OBSOLETE

OBSOLETE

Reference	Finition	"L"	"D" ^{+0.12} ₋₀	"X"±0.1	"d"	Nombre de paires
144185-1	brut	17.6	4.1	3.4	trou	2
141878-3	brut	en bande	4.1	3.4	trou	en bande
141878-2	etame	8	4.1	3.4	trou	1
141878-1	brut	8	4.1	3.4	trou	1
141705-2	etame	27.3	4.1	4.05	trou	3
141705-1	brut	27.3	4.1	4.05	trou	3
140722-2	etame	en bande	4.1	4.05	bossage	en bande
140722-1	brut	en bande	4.1	4.05	bossage	en bande
140617-0	brut	27.3	4.1	4.05	bossage	3
140613-0	brut	8	4.1	4.05	bossage	1

<small>THIS DRAWING IS A CONTROLLED DOCUMENT FOR TYCO ELECTRONICS CORPORATION IT IS SUBJECT TO CHANGE AND THE CONTROLLING ENGINEERING ORGANIZATION SHOULD BE CONTACTED FOR THE LATEST REVISION. CE PLAN EST UN DOCUMENT CONTROLE PAR AMP INCORPORATED. IL EST SUSCEPTIBLE D'ETRE REVISE. CONTACTER LE SERVICE TECHNIQUE D'AMP DE FRANCE POUR OBTENIR LA DERNIERE REVISION.</small>		DWN/DESSINE JJ. DESPRETZ 13OCT2000		AMP AMP DE FRANCE 95301 PONTOISE	
DIMENSIONS: mm		TOLERANCES UNLESS OTHERWISE SPECIFIED: TOLERANCES NON SPECIFIEES (SUIV NB DE DECIMALES): 0 PLC/DEC: ±0.3 1 PLC/DEC: ±0.3 2 PLC/DEC: ± 3 PLC/DEC: ± 4 PLC/DEC: ± ANGLES ±1 DEG		NAME TITRE LANGUETTE DOUBLE PLIEE A 90 DEG. FASTON TABS .250 SERIES BENT	
MATERIAL /MATIERE LAITON		FINISH /FINITION VOIR TABLE		SIZE FORMAT A3	
WEIGHT /MASSE APPROX. -		APPLICATION SPEC SPEC. APPLICATION -		CAGE CODE 00779	
CUSTOMER DRAWING /PLAN CLIENT		UNIQUEMENT POUR REFERENCE		DRAWING NO No PLAN C=140613	
SCALE ECHELLE 5:1		SHEET FEUILLE 1 OF DE 1		RESTRICTED TO RESERVE A - REV HI	