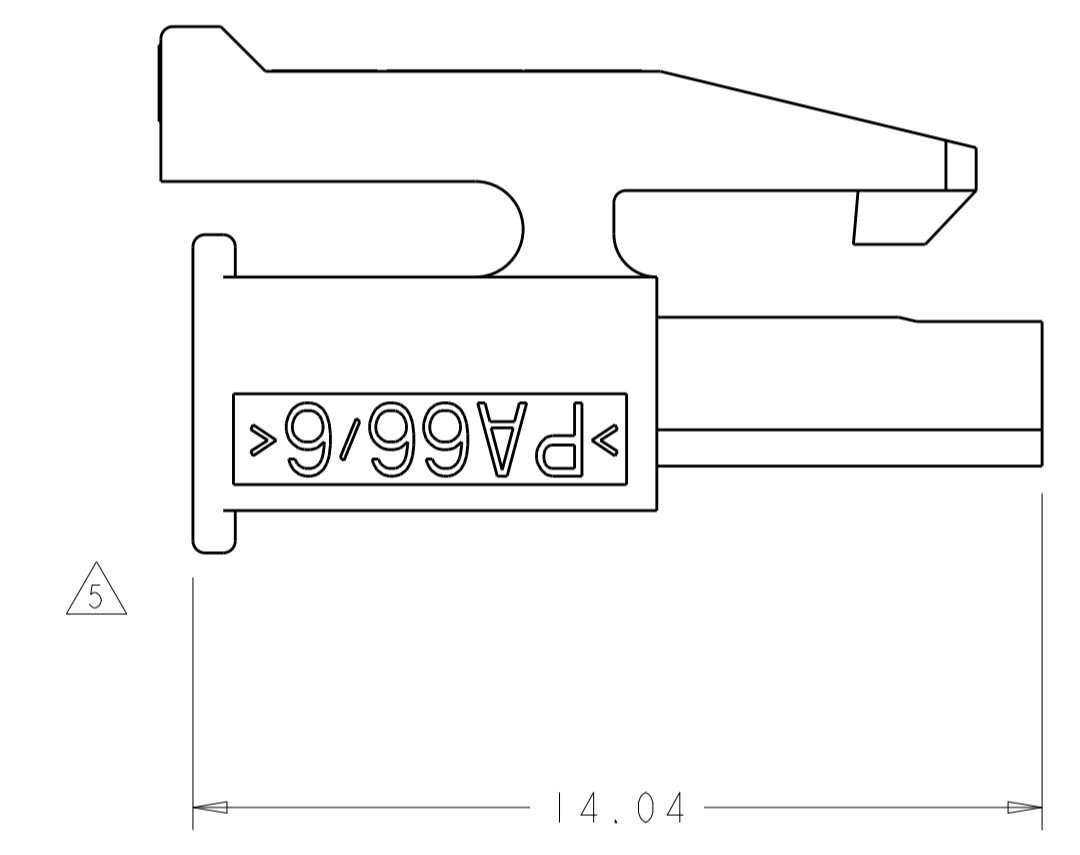
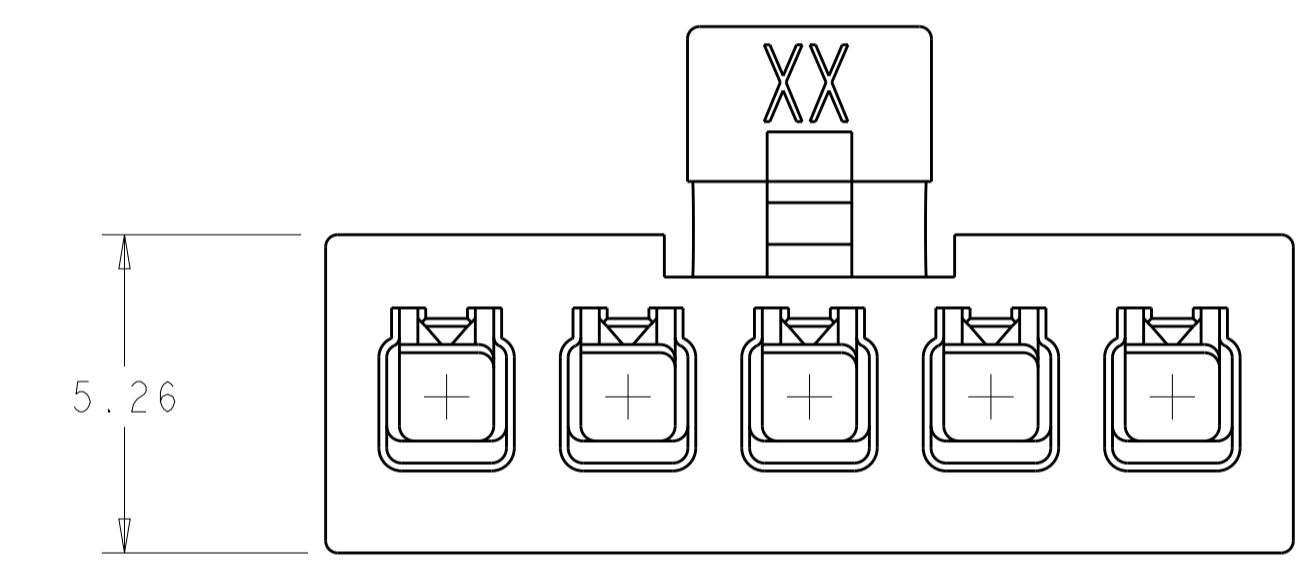


| LOC | DIST | REVISIONS | | | | | |
|-----|------|-----------|-----|---------------------------|-----------|-----|------|
| | | P | LTM | DESCRIPTION | DATE | DWN | APVD |
| CM | 00 | | D4 | REVISED PER ECO-19-018884 | 12DEC2019 | WLS | DZ |
| | | | | | | | |
| | | | | | | | |



- △ 1 CIRCUIT 1 IDENTIFIER, LOCATED APPROXIMATELY AS SHOWN.
- △ 2 LAST CIRCUIT IDENTIFIER, LOCATED APPROXIMATELY AS SHOWN.
- △ 3 MATERIAL PA66/6 UL94-V0. COLOR - BLACK
- △ 4 PRELIMINARY MATERIAL PA66 UL94-V0 GW. COLOR - NATURAL
- △ 5 MATERIAL ID ">PA<" LOCATED IN APPROX AREA SHOWN, APPROX 0.01 HIGH.
- △ 6 PRELIMINARY PART NUMBER NOT RELEASED FOR PRODUCTION



| | | | |
|----------|-------|------------|-------------|
| △ 4 △ 6 | 19 | 6 | 2-1445022-6 |
| | 16 | 5 | 2-1445022-5 |
| OBSOLETE | 13 | 4 | 2-1445022-4 |
| △ 4 △ 6 | 10 | 3 | 2-1445022-3 |
| OBSOLETE | 7 | 2 | 2-1445022-2 |
| △ 3 | 37 | 12 | 1-1445022-2 |
| | 34 | 11 | 1-1445022-1 |
| | 31 | 10 | 1-1445022-0 |
| | 28 | 9 | 1445022-9 |
| | 25 | 8 | 1445022-8 |
| | 22 | 7 | 1445022-7 |
| | 19 | 6 | 1445022-6 |
| | 16 | 5 | 1445022-5 |
| | 13 | 4 | 1445022-4 |
| | 10 | 3 | 1445022-3 |
| 7 | 2 | 1445022-2 | |
| REMARK | DIM A | NO OF POS. | PART NO. |

THIS DRAWING IS A CONTROLLED DOCUMENT. DWN R. WHITAKER 14AUG2001
 CHK C. JONES 14AUG2001
 APVD C. JONES 14AUG2001

STE TE Connectivity

NAME: RECEPTACLE HOUSING, 2 TO 12 POSITION, SINGLE ROW, MICRO MATE-L-LOK(TM)

PRODUCT SPEC: 108-1836
 APPLICATION SPEC: 114-13000

SIZE: A1 CAGE CODE: 100779 DRAWING NO: 1445022
 WEIGHT: -

CUSTOMER DRAWING SCALE: 8:1 SHEET 1 OF 1 REV: D4