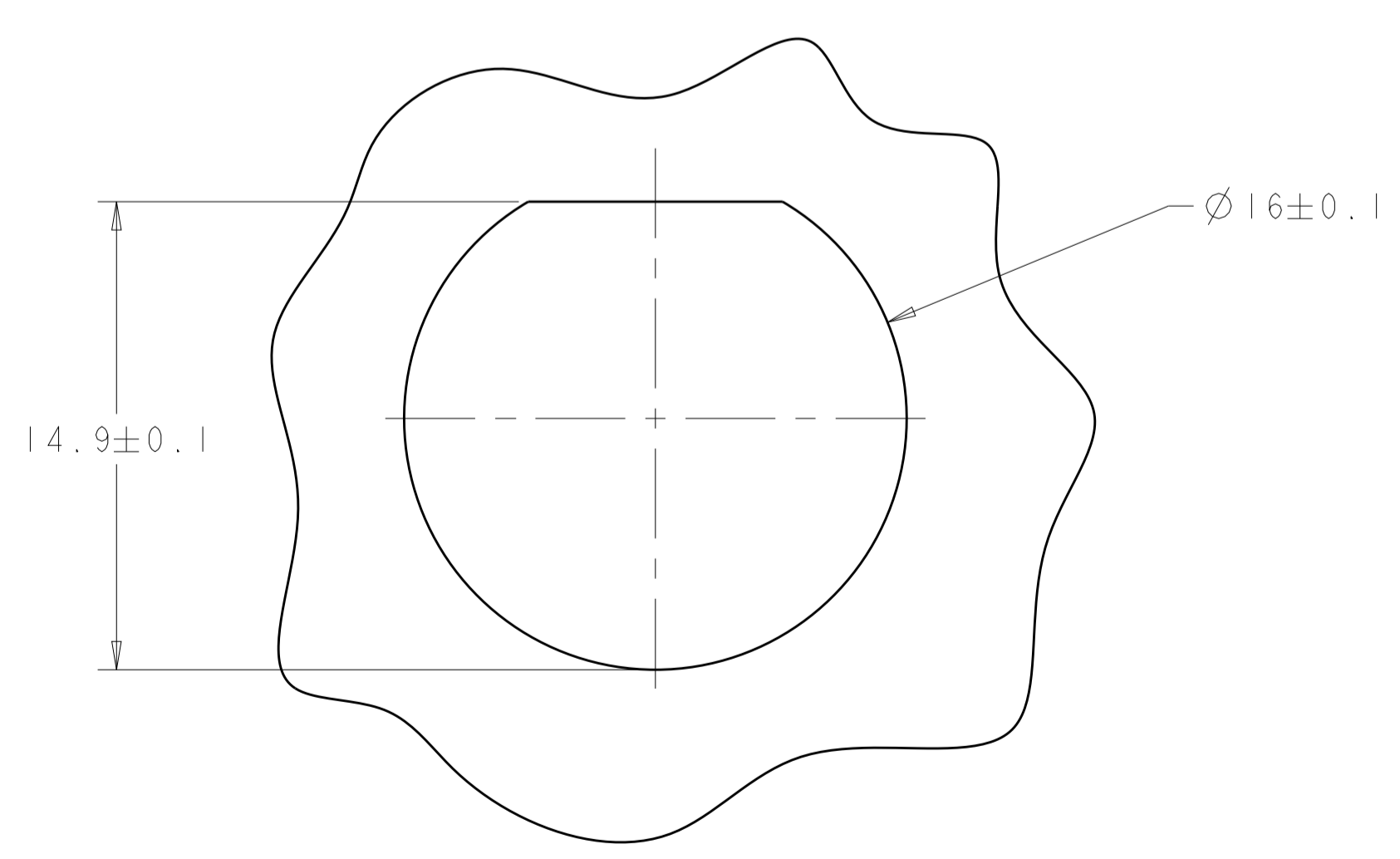
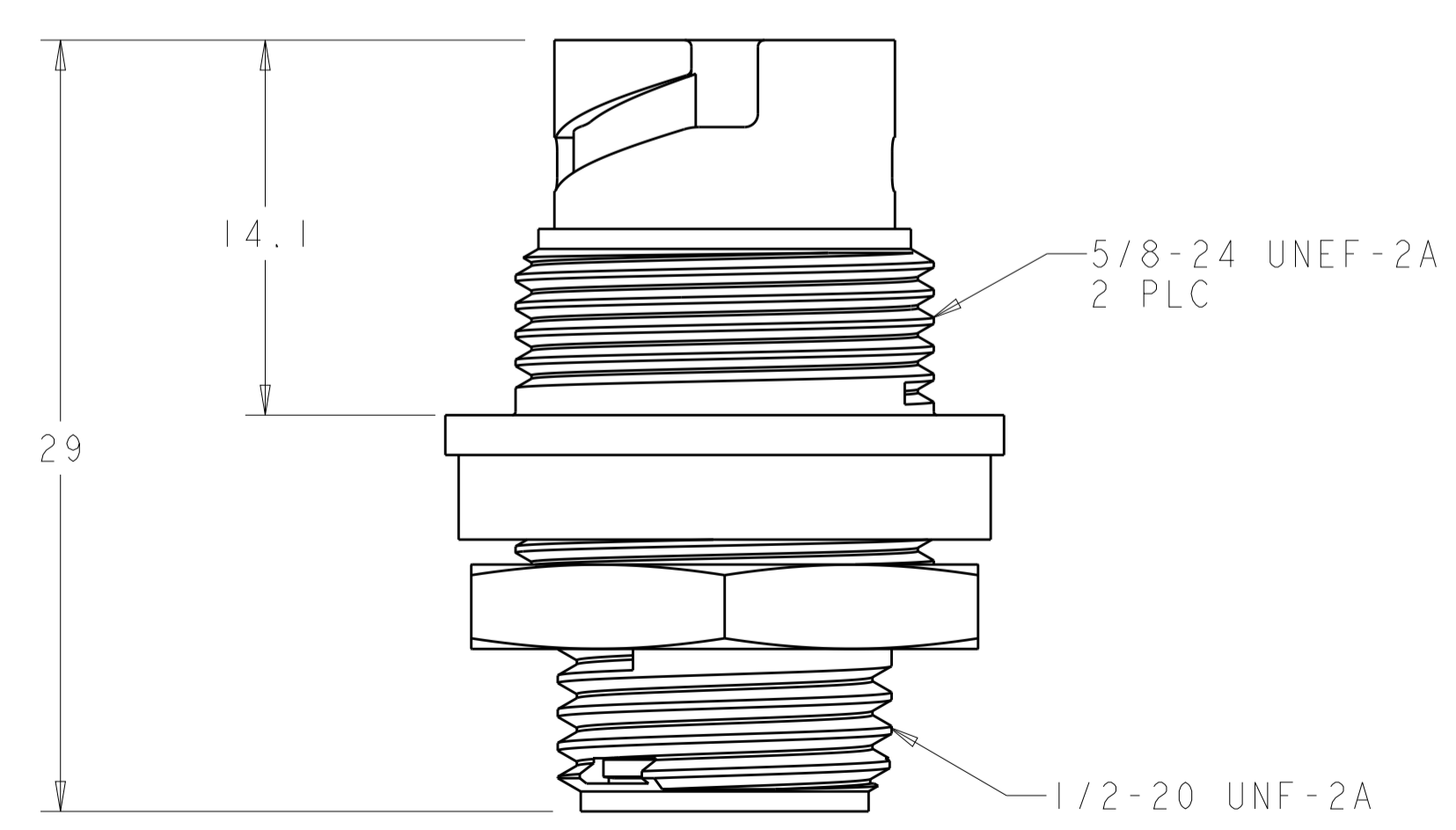
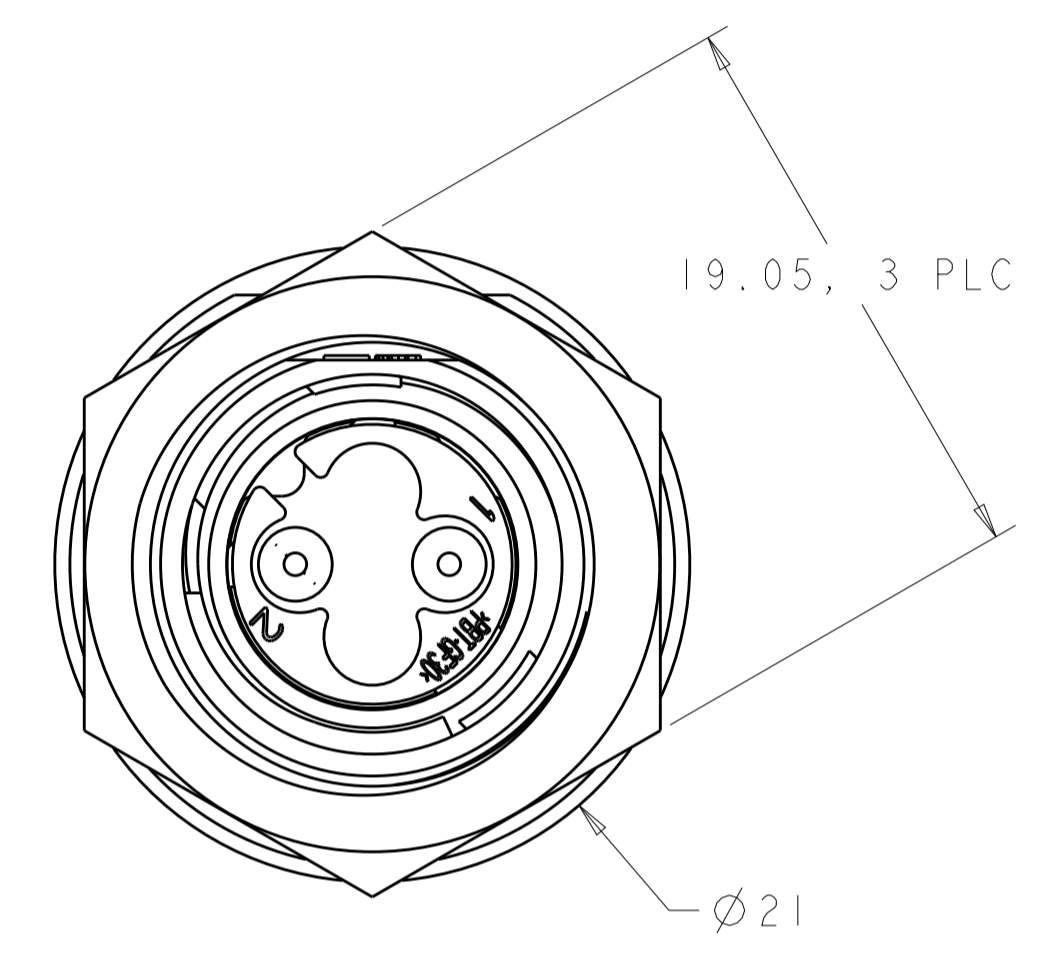
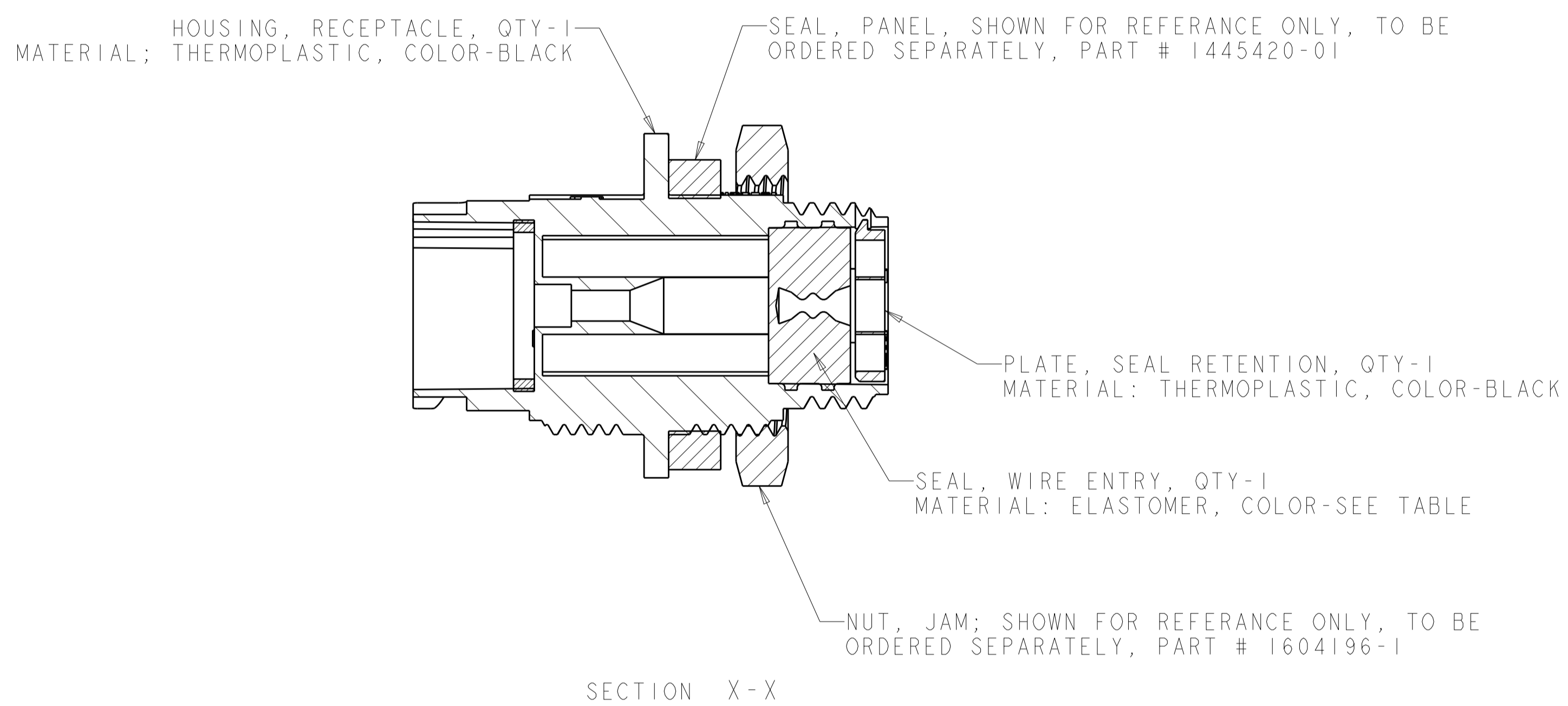
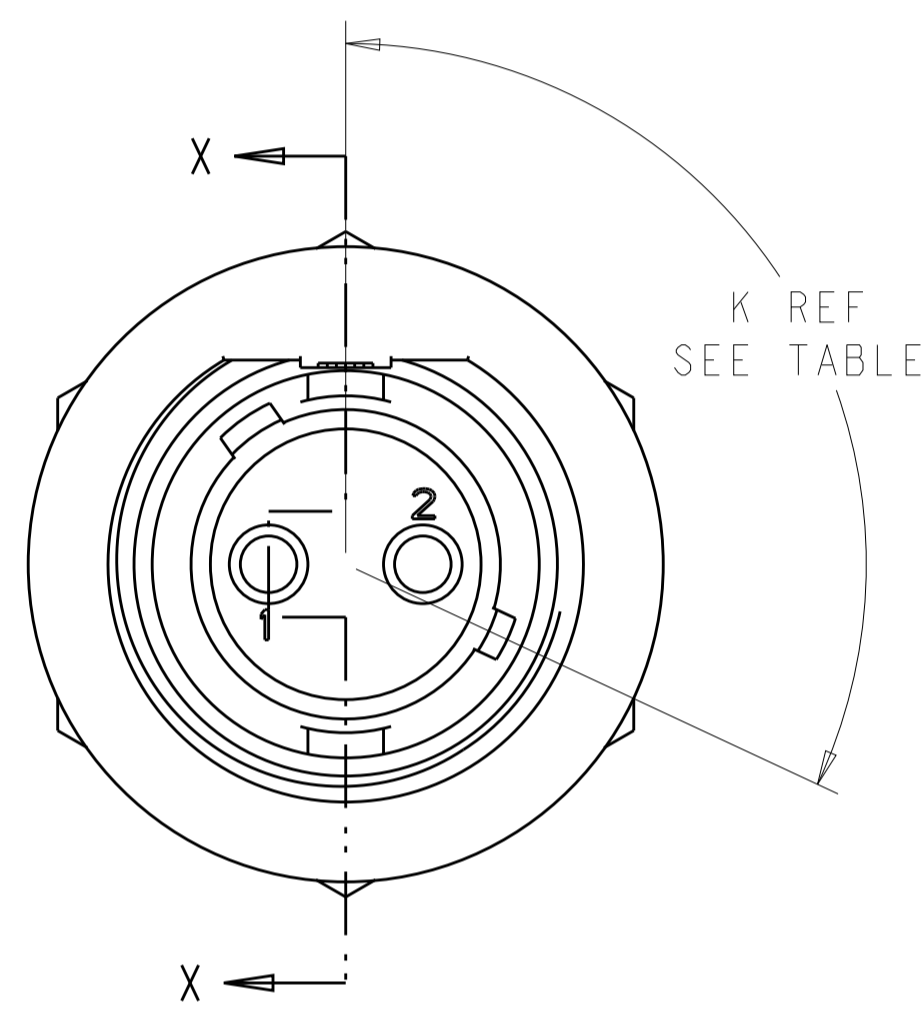
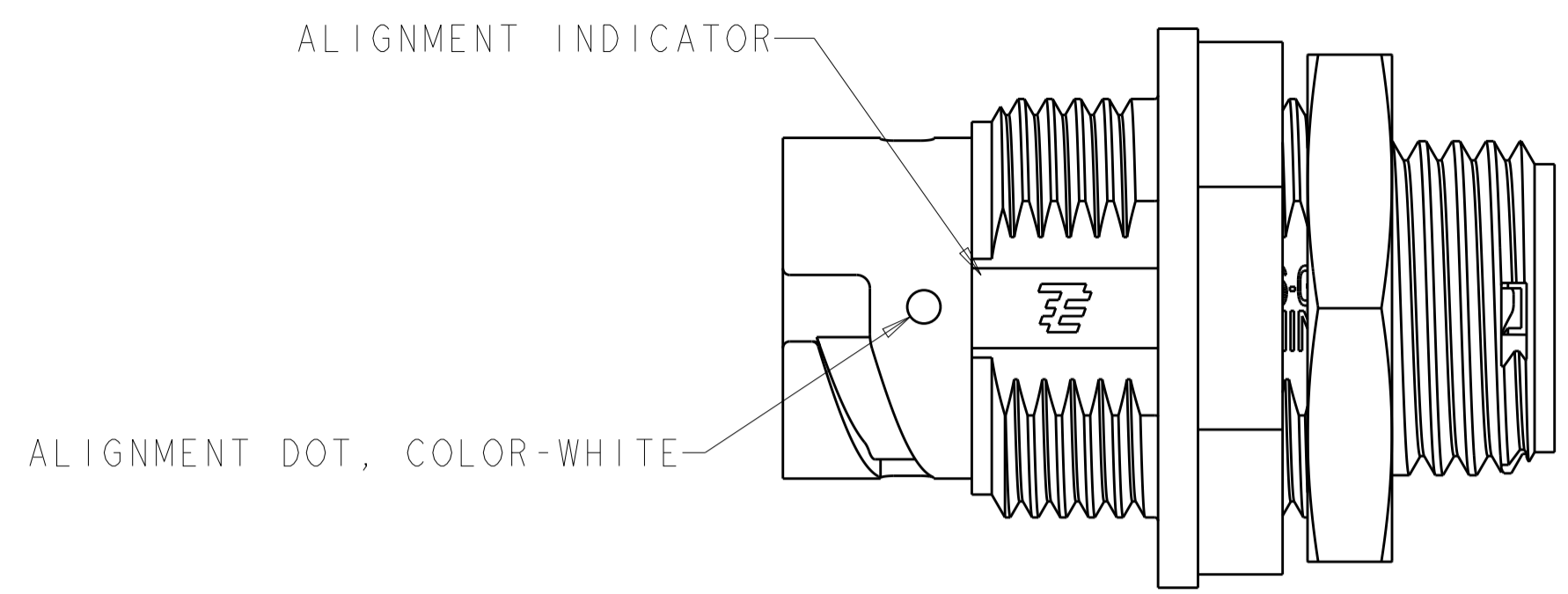


REVISIONS				
P.	LTM	DESCRIPTION	DATE	APVD
B3		REVISED PER ECO-15-010004	13JUL2015	NK MZ
C		REVISED PER ECO-16-018352	24MAR2017	RS MZ



1. CONNECTOR CAN BE FRONT OR REAR PANEL MOUNTED.
 2. MAX PANEL THICKNESS-3.18

OBSOLETE	YELLOW	Ø0.75	130°	1445538-04
	NATURAL	Ø1.5	115°	1445538-03
OBSOLETE	NATURAL	Ø1.5	130°	1445538-02
	YELLOW	Ø0.75	115°	1445538-01
	SEAL, WIRE ENTRY COLOR	ØX REF	K REF	PART NUMBER

SUGGESTED PANEL CUTOUT 2

THIS DRAWING IS A CONTROLLED DOCUMENT.		OWN S. WIEST 08MAY2001	
DIMENSIONS: mm		CHK G. DOUITY 08MAY2001	
TOLERANCES UNLESS OTHERWISE SPECIFIED:		APVD H. WAKEEM 13JUN2003	NAME ASSEMBLY, RECEPTACLE, SIZE 8, 2 POSITION, PANEL MOUNT MINI CPC
0 PLC ±0.5	1 PLC ±0.13	PRODUCT SPEC	SIZE CAGE CODE DRAWING NO. RESTRICTED TO
3 PLC ±0.013	4 PLC ±0.001	APPLICATION SPEC	A100779C=1445538
ANGLES ±0.0001	FINISH	WEIGHT	SCALE 4:1 SHEET 1 OF 1 REV C
MATERIAL SEE CALLOUT	CUSTOMER DRAWING		