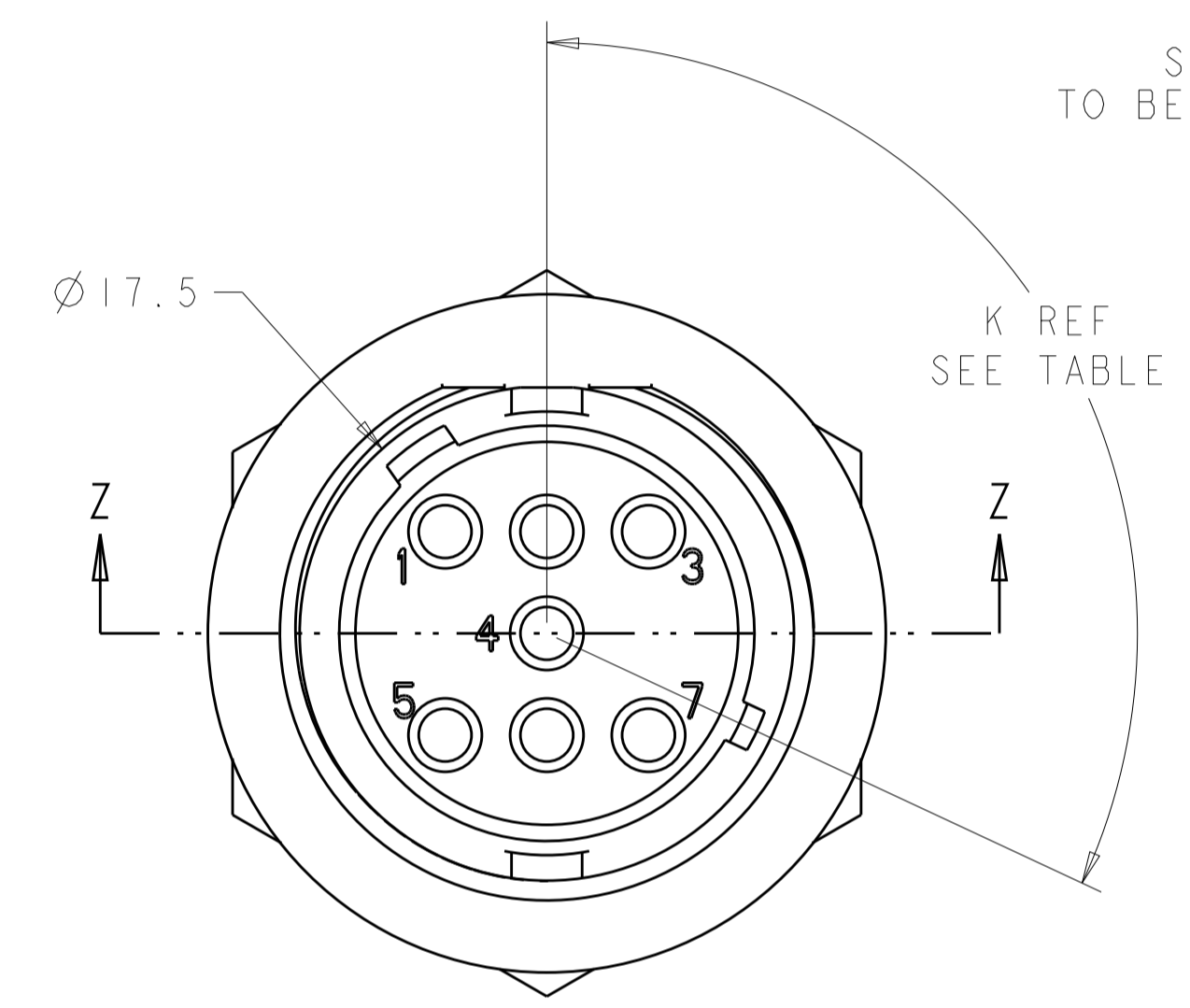
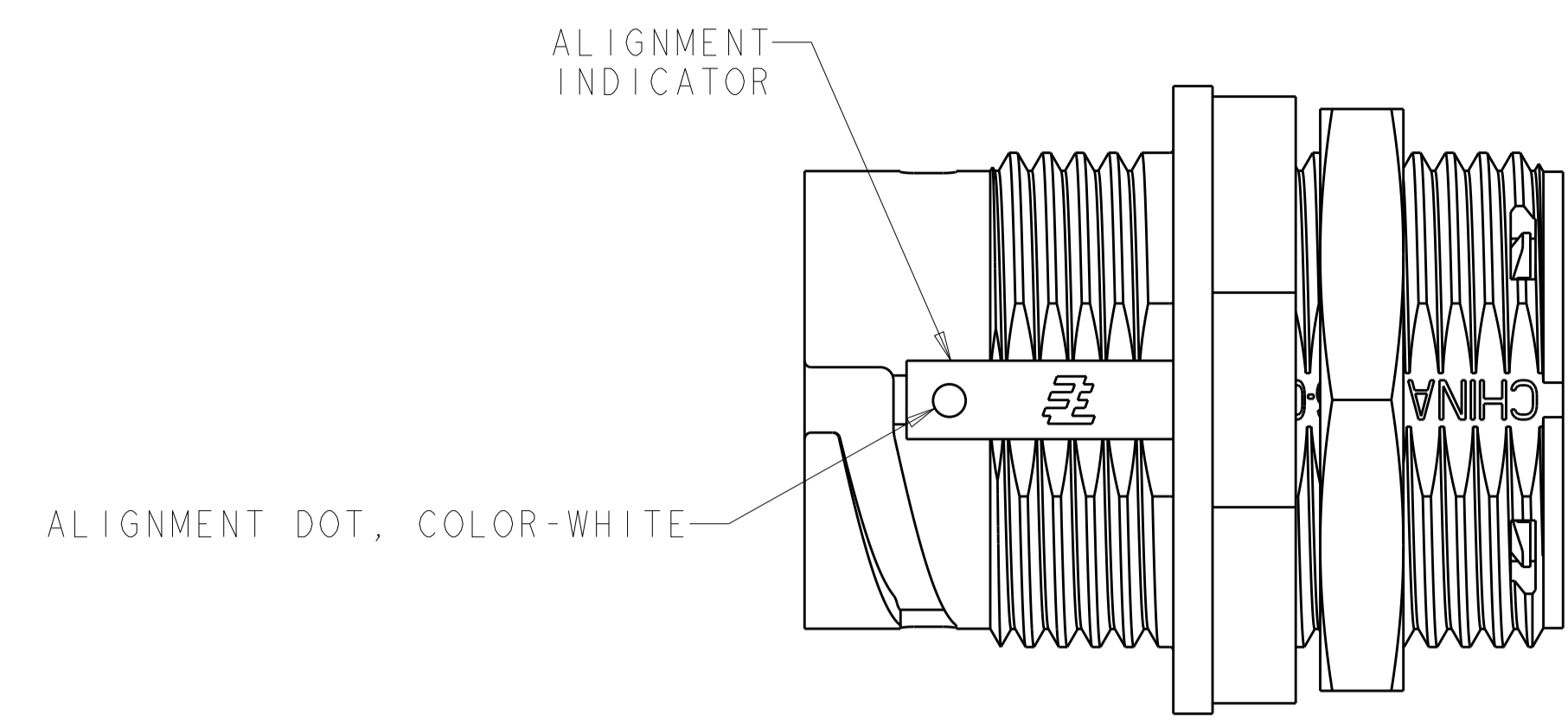
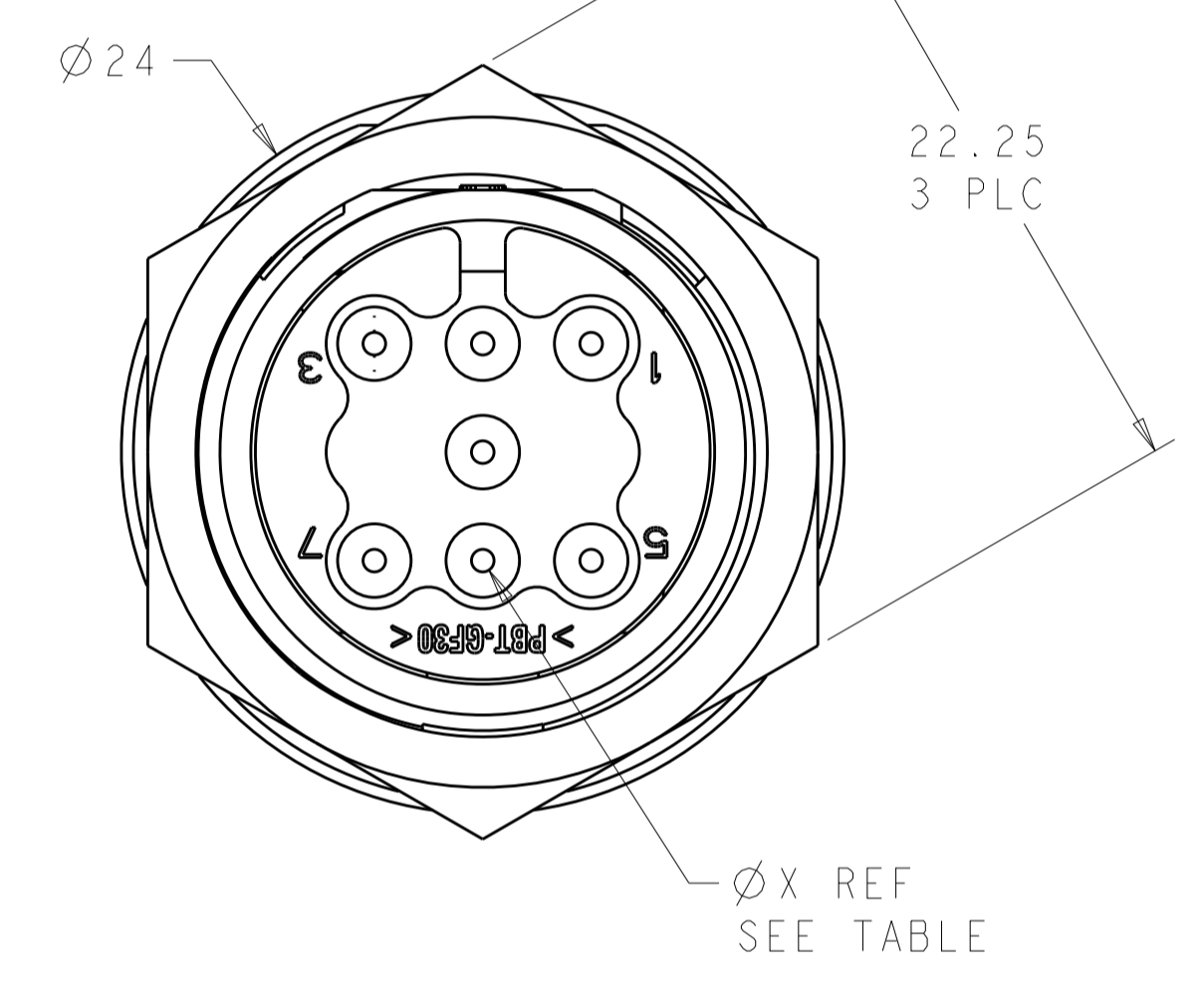
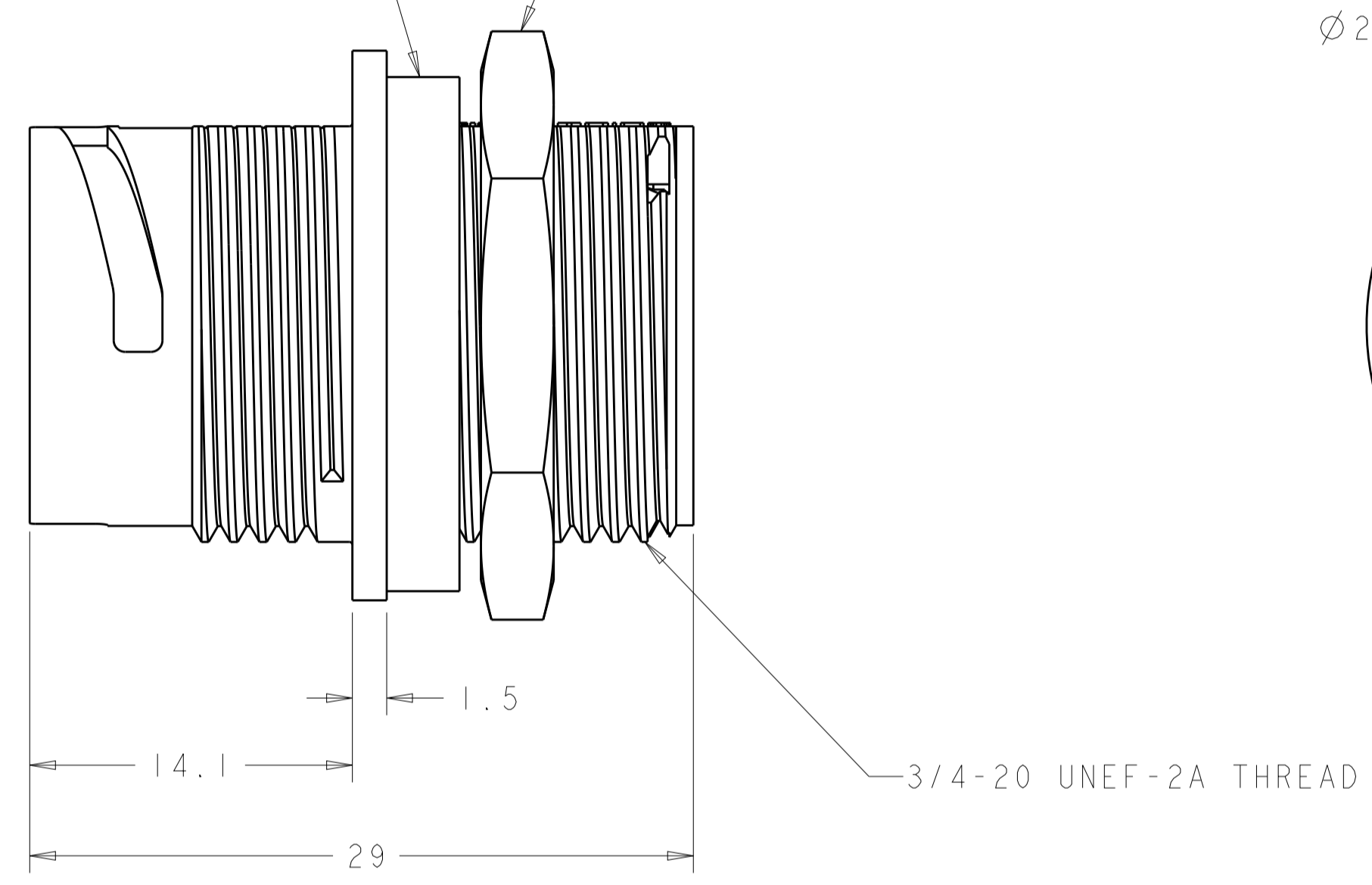


REVISIONS				
P.	LTM	DESCRIPTION	DATE	OWN APVD
B3		REVISED PER ECO-15-010004	13JUL2015	NK MZ
C		REVISED PER ECO-16-018355	21MAR2017	RS MZ

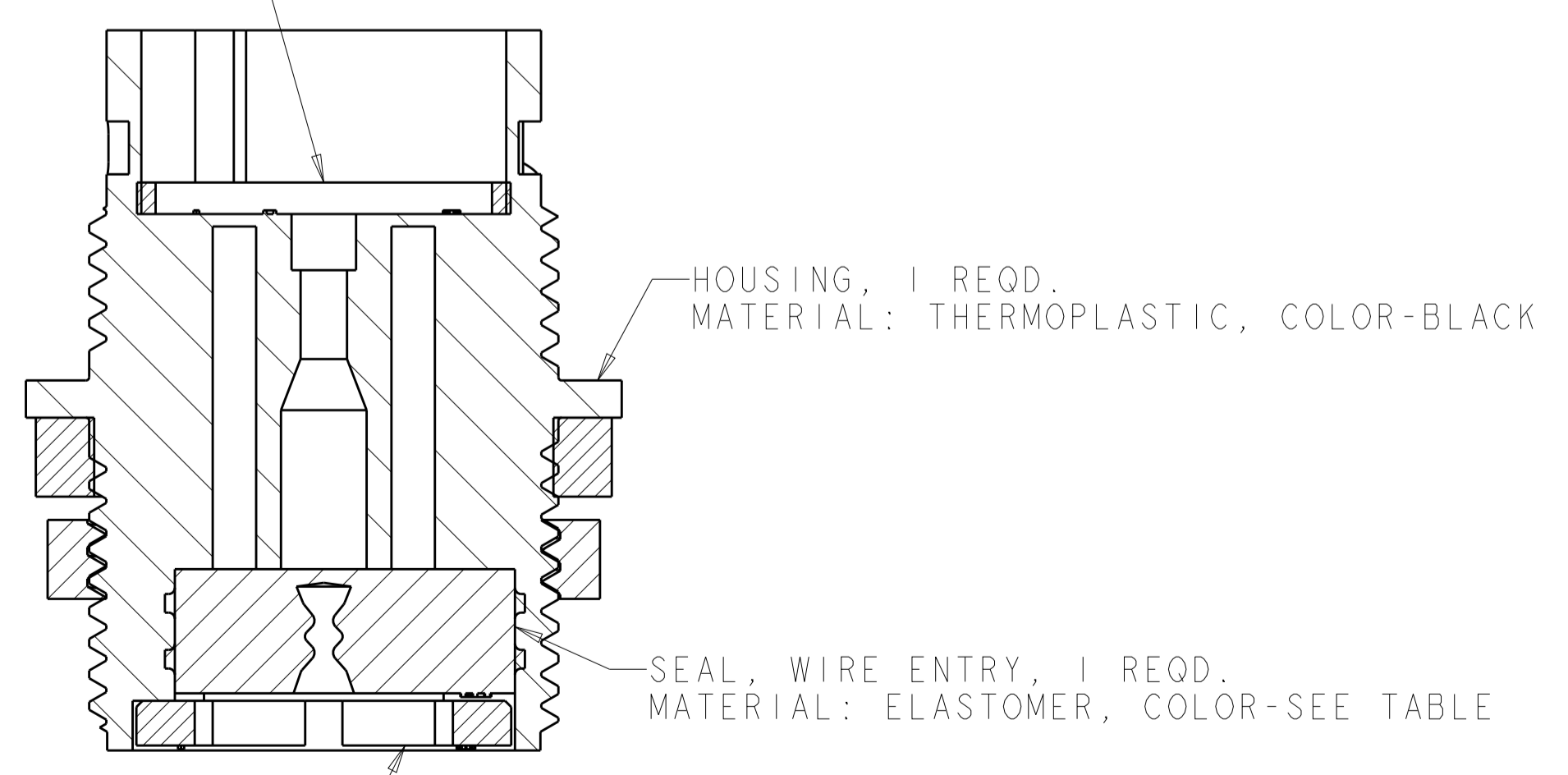


SEAL, PANEL; SHOWN FOR REFERENCE ONLY, TO BE ORDERED SEPARATELY, PART #1445420-02

JAM NUT, SHOWN FOR REFERENCE ONLY, TO BE ORDERED SEPARATELY, PART # 1445904-1

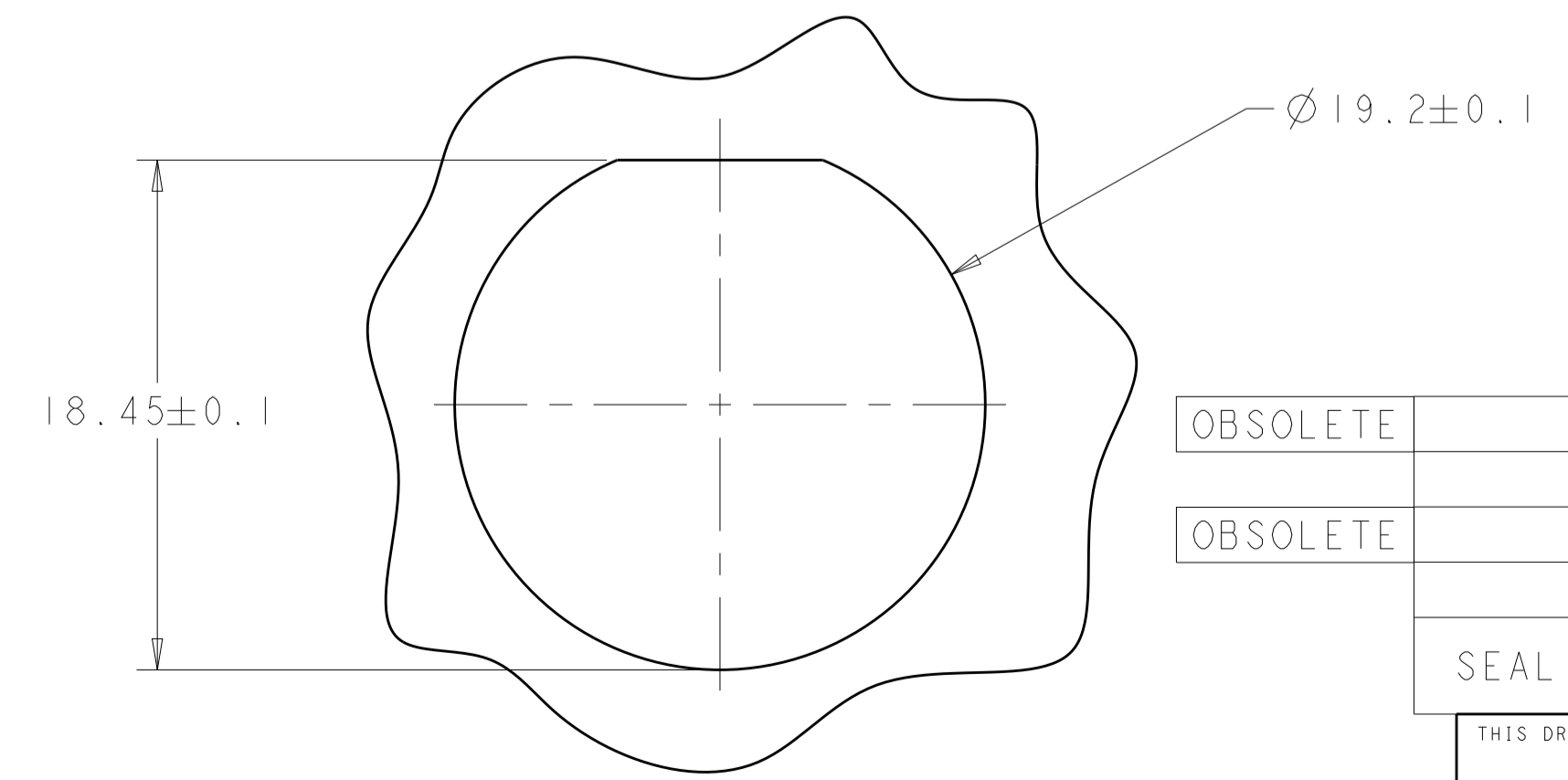


SEAL, PERIPHERAL, 1 REQD.  
 MATERIAL: ELASTOMER, COLOR-GRAY



SECTION Z-Z

1. CONNECTOR CAN BE FRONT OR REAR PANEL MOUNTED.  
 △ MAX PANEL THICKNESS - 3.18



OBSOLETE	YELLOW	Ø 0.75	135°	1445822-04
	NATURAL	Ø 1.5	115°	1445822-03
OBSOLETE	NATURAL	Ø 1.5	135°	1445822-02
	YELLOW	Ø 0.75	115°	1445822-01
SEAL, WIRE ENTRY COLOR		Ø X REF	K REF	PART NUMBER

THIS DRAWING IS A CONTROLLED DOCUMENT.		OWN SHANE WIESE 15OCT2001	TE Connectivity	
DIMENSIONS: mm		CHK G DOUTY 15OCT2001		
TOLERANCES UNLESS OTHERWISE SPECIFIED:		APVD H WAKEEM 13JUN2003	NAME ASSEMBLY, RECEPTACLE, SIZE 11, 7 POSITION, PANEL MOUNT, SEALED, MINI CPC	
0 PLC ± 1 PLC ±0.13 2 PLC ± 3 PLC ± 4 PLC ± ANGLES ±		PRODUCT SPEC	SIZE CAGE CODE DRAWING NO. RESTRICTED TO	
MATERIAL SEE CALLOUT		APPLICATION SPEC	A100779C=1445822	
FINISH SEE CALLOUT		WEIGHT	SCALE 4:1 SHEET 1 OF 1 REV C	
CUSTOMER DRAWING				