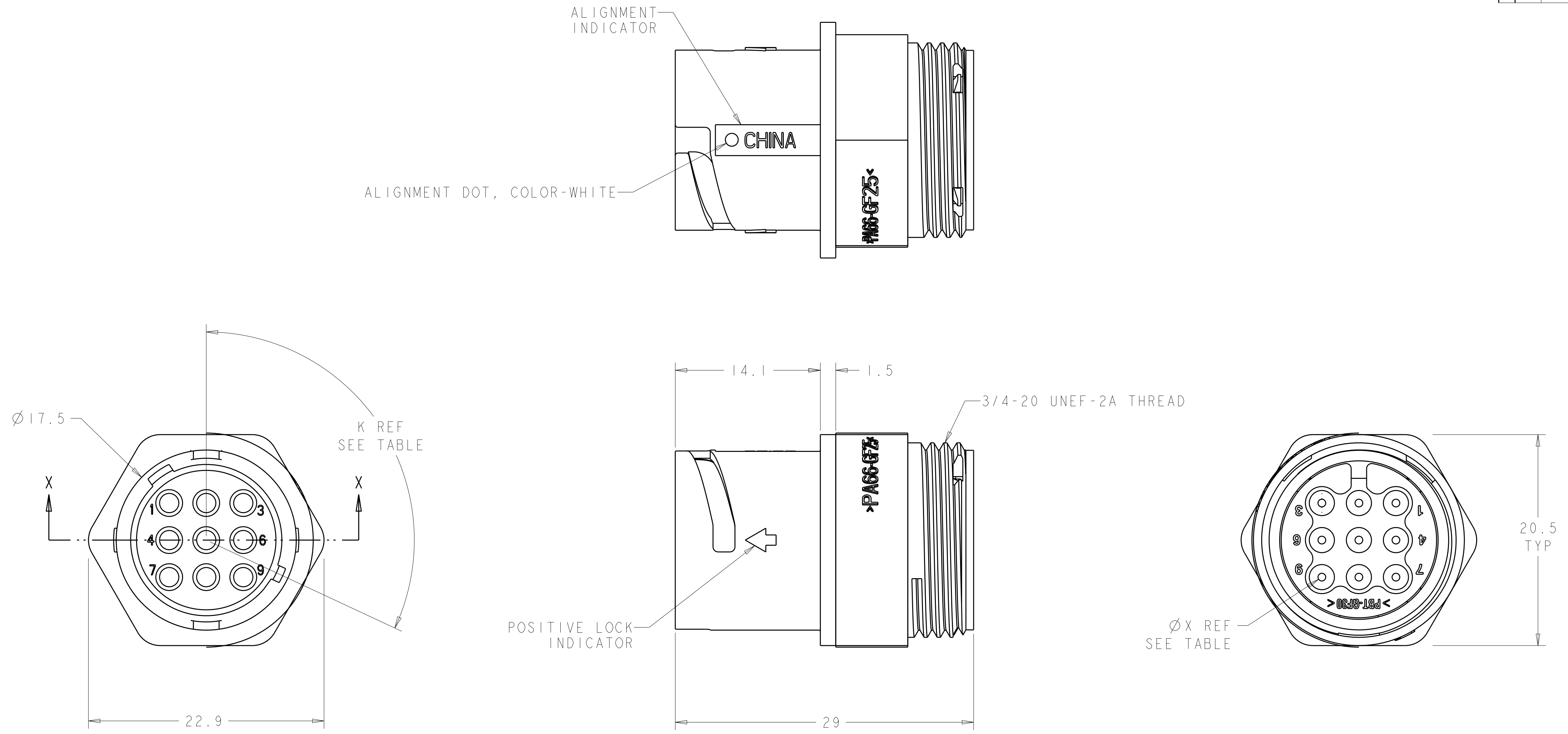
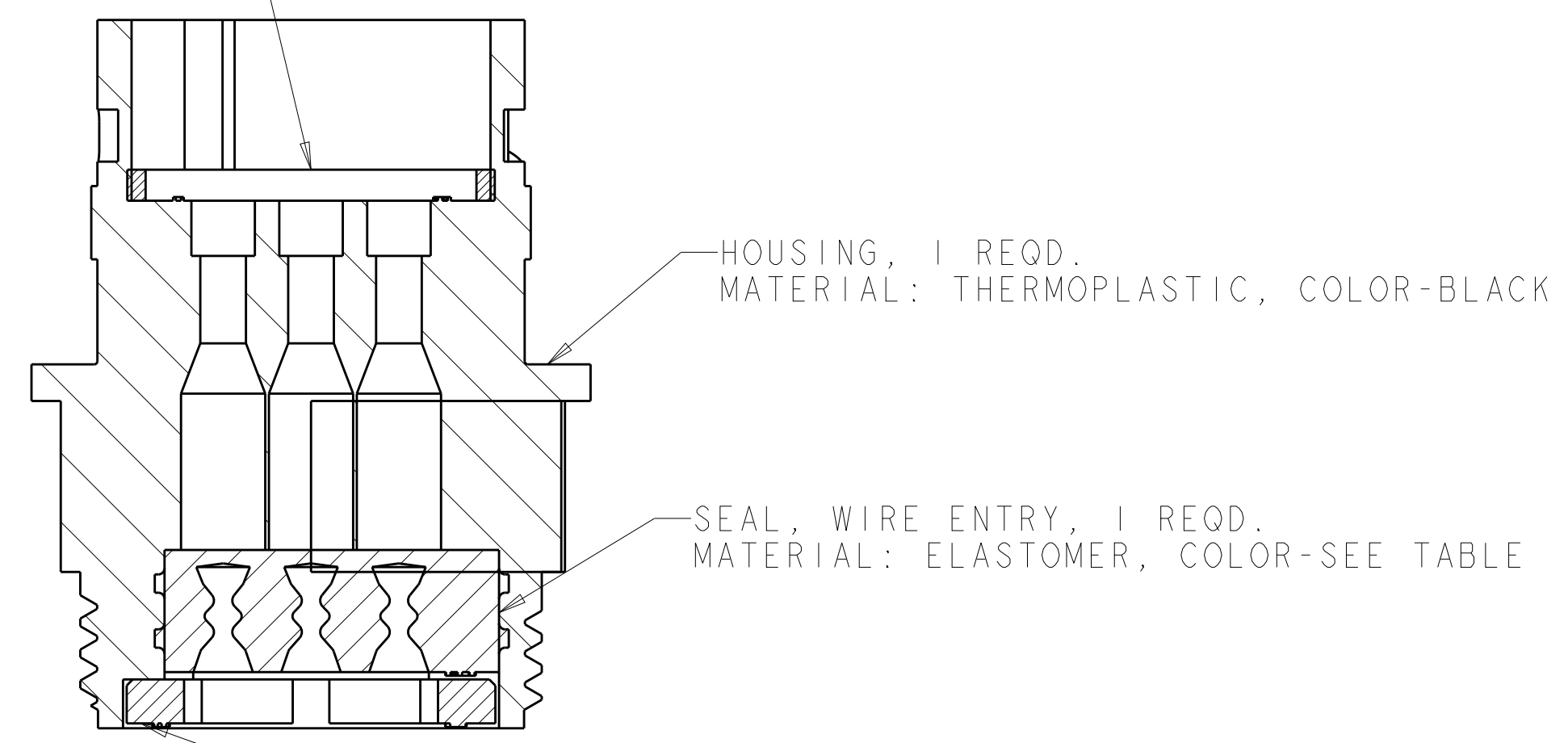


REVISIONS				
P.	LTN	DESCRIPTION	DATE	OWN APVD
B1		REVISED PER ECO-15-010004	11JUL2015	NK MZ
C		REVISED PER ECO-17-004650	05APR2017	BDA MZ



SEAL, PERIPHERAL, I REQD.
 MATERIAL: ELASTOMER, COLOR-GRAY



HOUSING, I REQD.
 MATERIAL: THERMOPLASTIC, COLOR-BLACK

SEAL, WIRE ENTRY, I REQD.
 MATERIAL: ELASTOMER, COLOR-SEE TABLE

RETAINER, SEAL, I REQD.
 MATERIAL: THERMOPLASTIC, COLOR-BLACK

SECTION X-X

OBSOLETE	YELLOW	Ø0.75	135°	1445825-04
	NATURAL	Ø1.5	115°	1445825-03
OBSOLETE	NATURAL	Ø1.5	135°	1445825-02
	YELLOW	Ø0.75	115°	1445825-01
	SEAL, WIRE ENTRY COLOR	ØX REF	K REF	PART NUMBER

THIS DRAWING IS A CONTROLLED DOCUMENT.		OWN SHANE WIESE 22OCT2001	STE TE Connectivity
DIMENSIONS: mm		CHK G DOUTY 22OCT2001	
TOLERANCES UNLESS OTHERWISE SPECIFIED:		APVD H. WAKEEM 13JUN2003	NAME ASSEMBLY, SIZE 11, 9 POSITION, FREE HANGING, SEALED, MINI CPC
0 PLC ±		PRODUCT SPEC	SIZE CAGE CODE DRAWING NO
1 PLC ±0.13		APPLICATION SPEC	A100779C=1445825
2 PLC ±		RESTRICTED TO	SCALE 4:1 SHEET 1 OF 1 REV C
3 PLC ±		WEIGHT	
4 PLC ±		Customer Drawing	
ANGLES			
FINISH			
MATERIAL SEE CALLOUT			