

THIS DRAWING IS UNPUBLISHED.

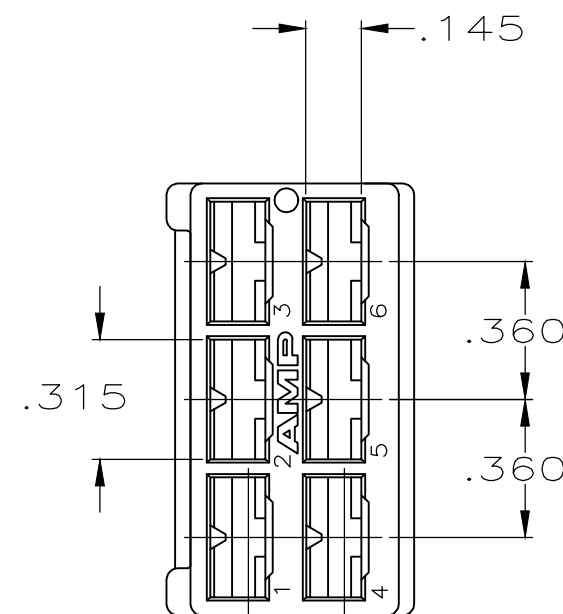
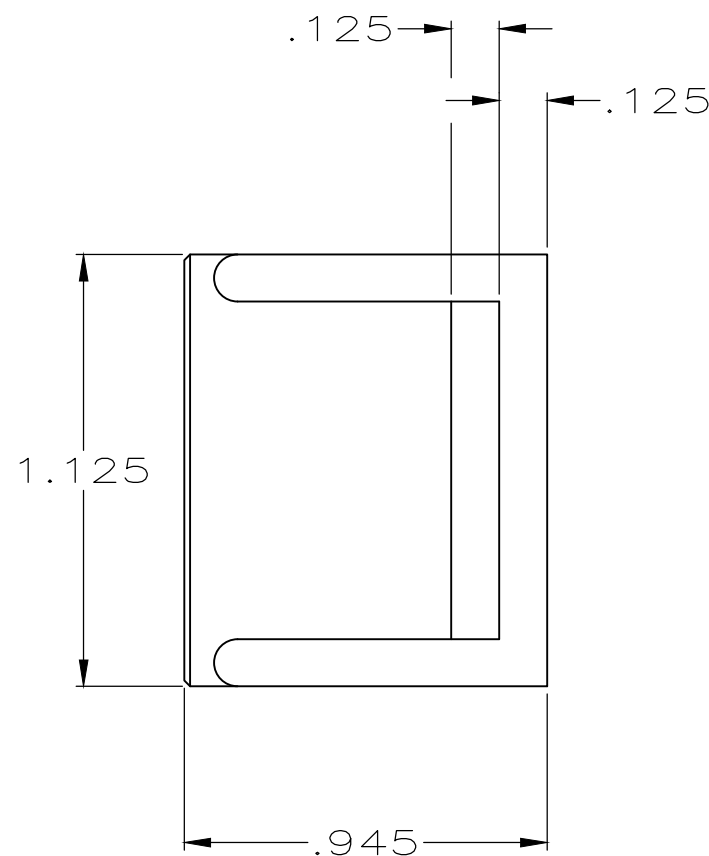
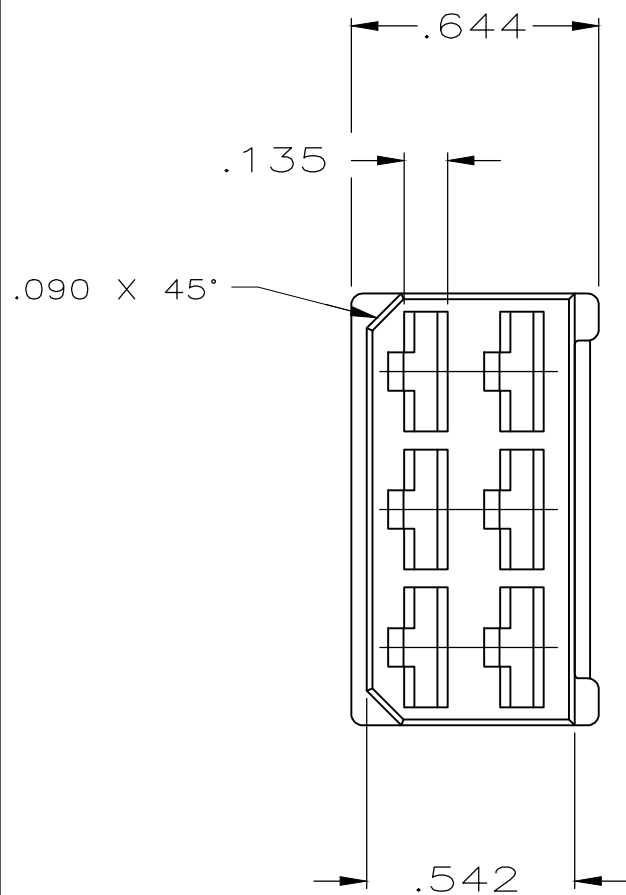
RELEASED FOR PUBLICATION

REVISIONS

© COPYRIGHT - TE Connectivity Ltd.

ALL RIGHTS RESERVED.

P	LTR	DESCRIPTION	DATE	DWN	APVD
	AB1	REVISED PER ECR-19-008978	12JUL2019	BDA	DS



1 FOR MOUNTING DIMENSIONS REFER TO CP-15708.

2 PREPRODUCTION ONLY: AGENCY APPROVAL IS PENDING.

BLACK	NYLON V0	480281-1
BLACK	NYLON-V2	1-480281-0
COLOR	MATERIAL	PART NUMBER

THIS DRAWING IS A CONTROLLED DOCUMENT.		DWN JR RUTH 2/5/91	TE Connectivity														
DIMENSIONS: INCHES		CHK P FORTNEY 2/5/91															
TOLERANCES UNLESS OTHERWISE SPECIFIED:		APVD C MEYERS 2/5/91	NAME HOUSING, RECEPTACLE, FASTIN-FASTON, .250 SERIES														
<table border="1"> <tr><td>0 PLC</td><td>± -</td></tr> <tr><td>1 PLC</td><td>± -</td></tr> <tr><td>2 PLC</td><td>± -</td></tr> <tr><td>3 PLC</td><td>± .015</td></tr> <tr><td>4 PLC</td><td>± -</td></tr> <tr><td>ANGLES</td><td>± -</td></tr> </table>		0 PLC	± -	1 PLC	± -	2 PLC	± -	3 PLC	± .015	4 PLC	± -	ANGLES	± -	PRODUCT SPEC D REINER 2/5/91	APPLICATION SPEC		RESTRICTED TO
0 PLC	± -																
1 PLC	± -																
2 PLC	± -																
3 PLC	± .015																
4 PLC	± -																
ANGLES	± -																
MATERIAL SEE TABLE	FINISH SEE TABLE	WEIGHT 0.000000	SIZE A3	CAGE CODE 00779	DRAWING NO C-480281												
CUSTOMER DRAWING			SCALE 2:1	SHEET 1 OF 1	REV AB1												