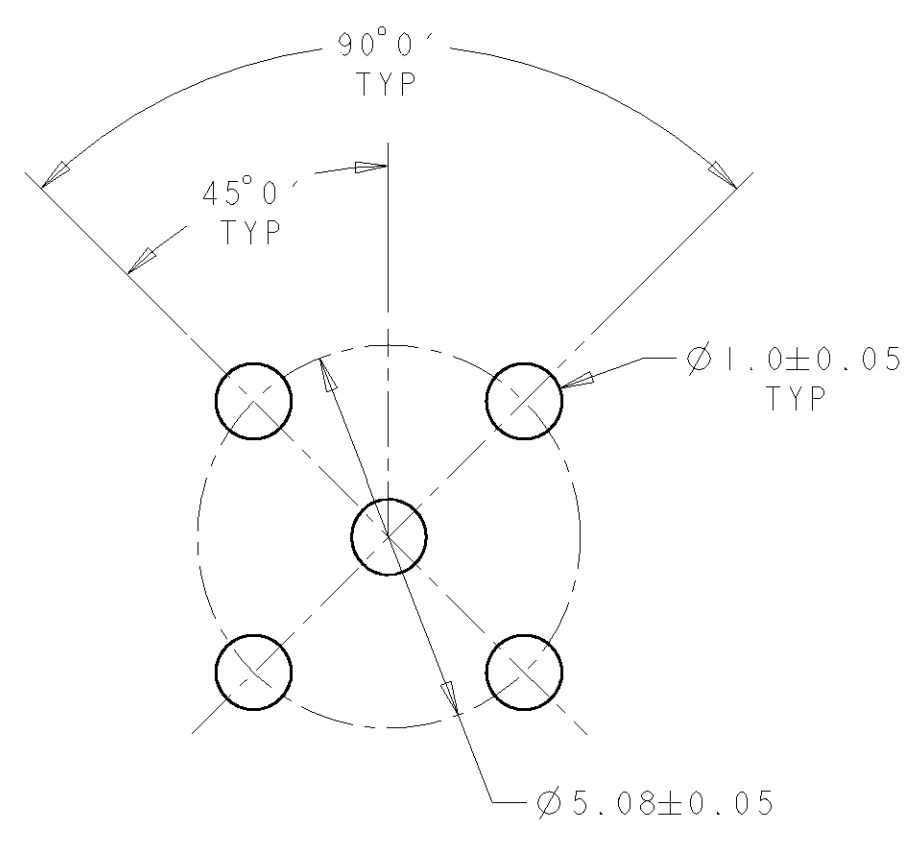
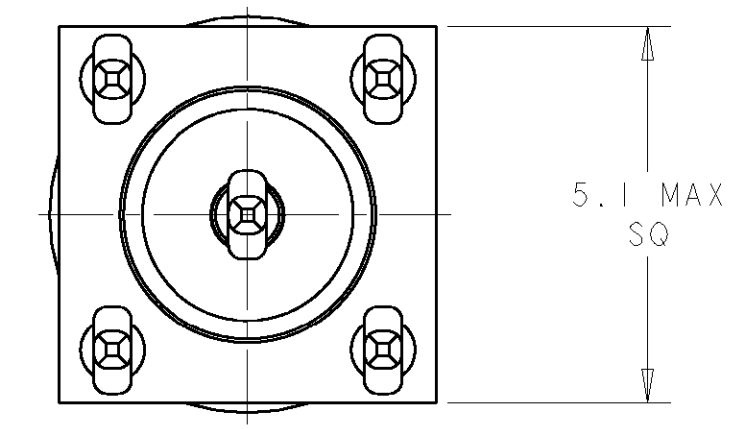
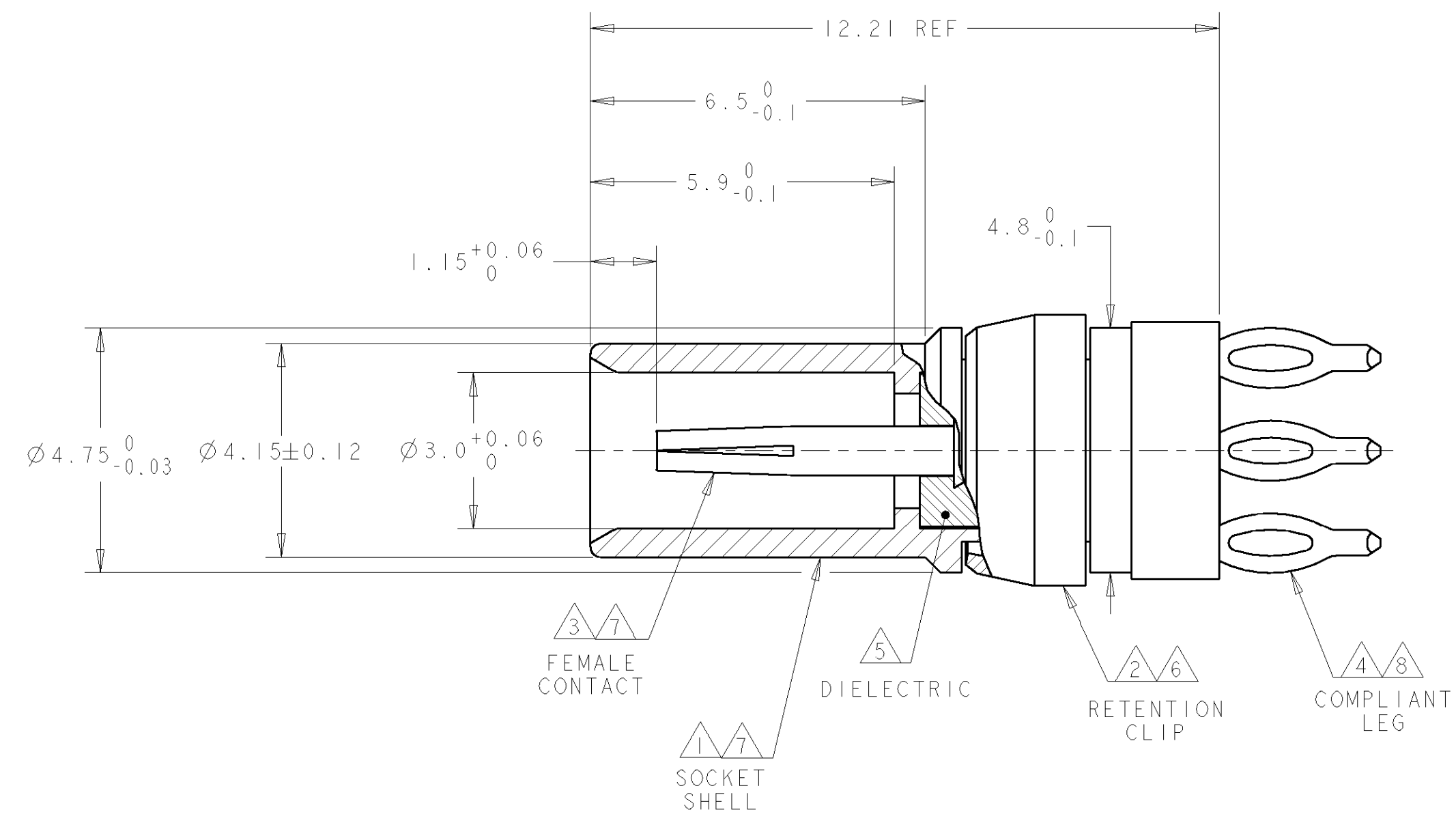


THIS DRAWING IS UNPUBLISHED. RELEASED FOR PUBLICATION 20
 © COPYRIGHT 20 BY TYCO ELECTRONICS CORPORATION. ALL RIGHTS RESERVED.

LOC	DIST	REVISIONS					
		P	LTR	DESCRIPTION	DATE	DWN	APVD
AJ	16		D	REVISED PER ECO-06-007956	16MAY2006	KS	KW



RECOMMENDED PC BOARD LAYOUT

- 1 BRASS PER ASTM-B-16
- 2 BERYLLIUM COPPER PER ASTM-B-194
- 3 BERYLLIUM COPPER PER ASTM-B-196
- 4 PHOS BRONZE PER ASTM-B-103
- 5 PTFE PER ASTM-D-1710
- 6 NICKEL PLATE PER QQ-N-290
- 7 GOLD PLATE PER ASTM-B488
- 8 TIN-LEAD PLATE PER ASTM-B-545

148385-1
PART NUMBER

<small>THIS DRAWING IS A CONTROLLED DOCUMENT FOR TYCO ELECTRONICS CORPORATION IT IS SUBJECT TO CHANGE AND THE CONTROLLING ENGINEERING ORGANIZATION SHOULD BE CONTACTED FOR THE LATEST REVISION.</small>		DWN AJ GRAFF 25SEP97 CHK RC HOSLER 25SEP97 APVD RA PATTERSON 25SEP97	tyco Electronics Tyco Electronics Harrisburg, PA 17105-3608
DIMENSIONS: mm	TOLERANCES UNLESS OTHERWISE SPECIFIED: 0 PLC ± 1 PLC ± 2 PLC ± 3 PLC ± 4 PLC ± ANGLES ± FINISH	PRODUCT SPEC - APPLICATION SPEC - WEIGHT -	NAME SOCKET, PCB, VERTICAL, COMPLIANT TYPE C SIZE A200779 CAGE CODE C-148385 DRAWING NO 148385-1 RESTRICTED TO -
MATERIAL		CUSTOMER DRAWING	SCALE 10:1 SHEET 1 OF 1 REV D