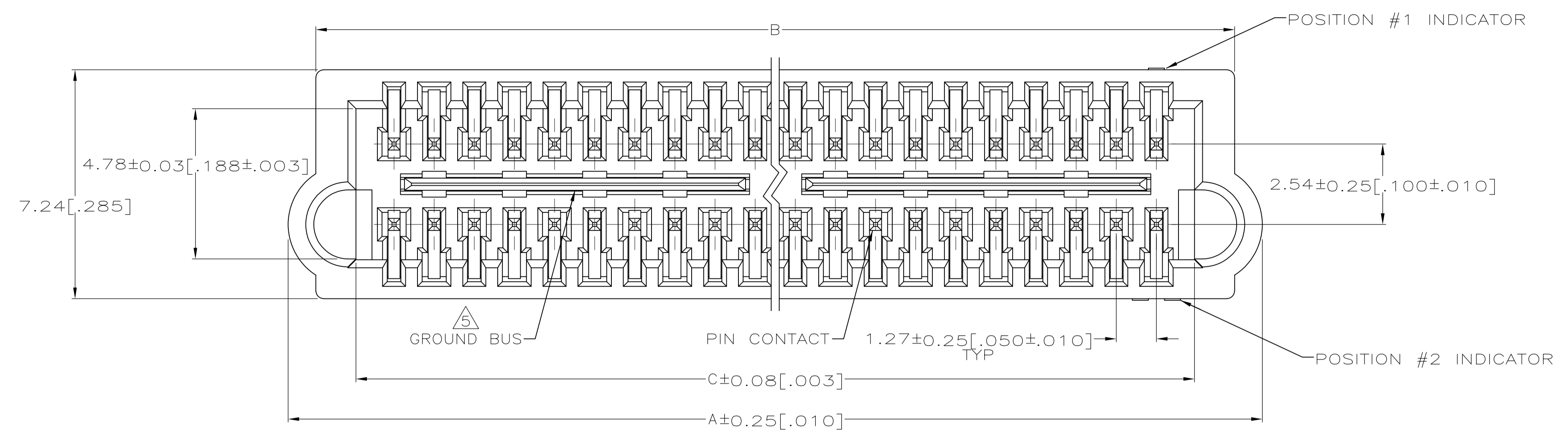
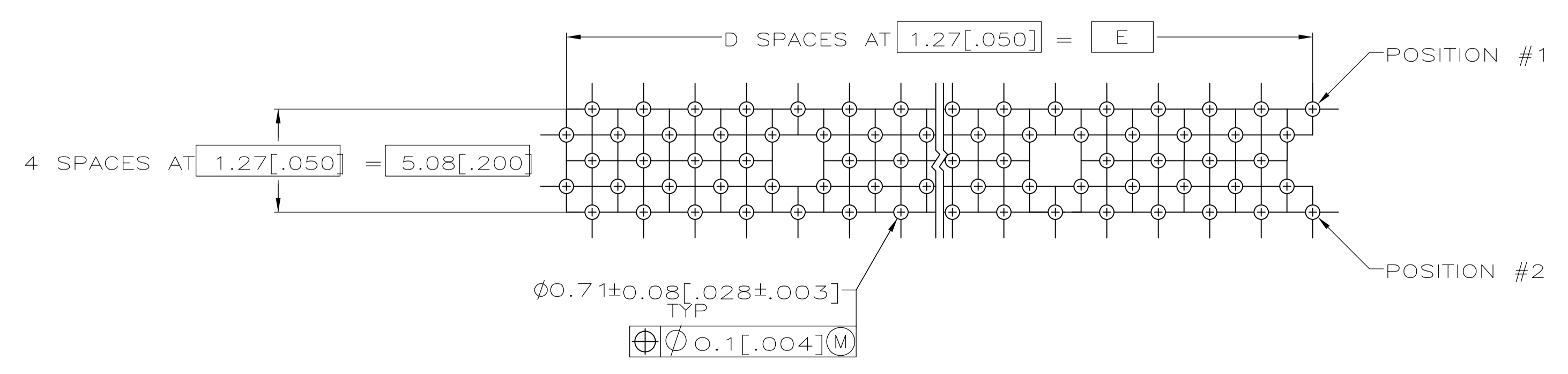
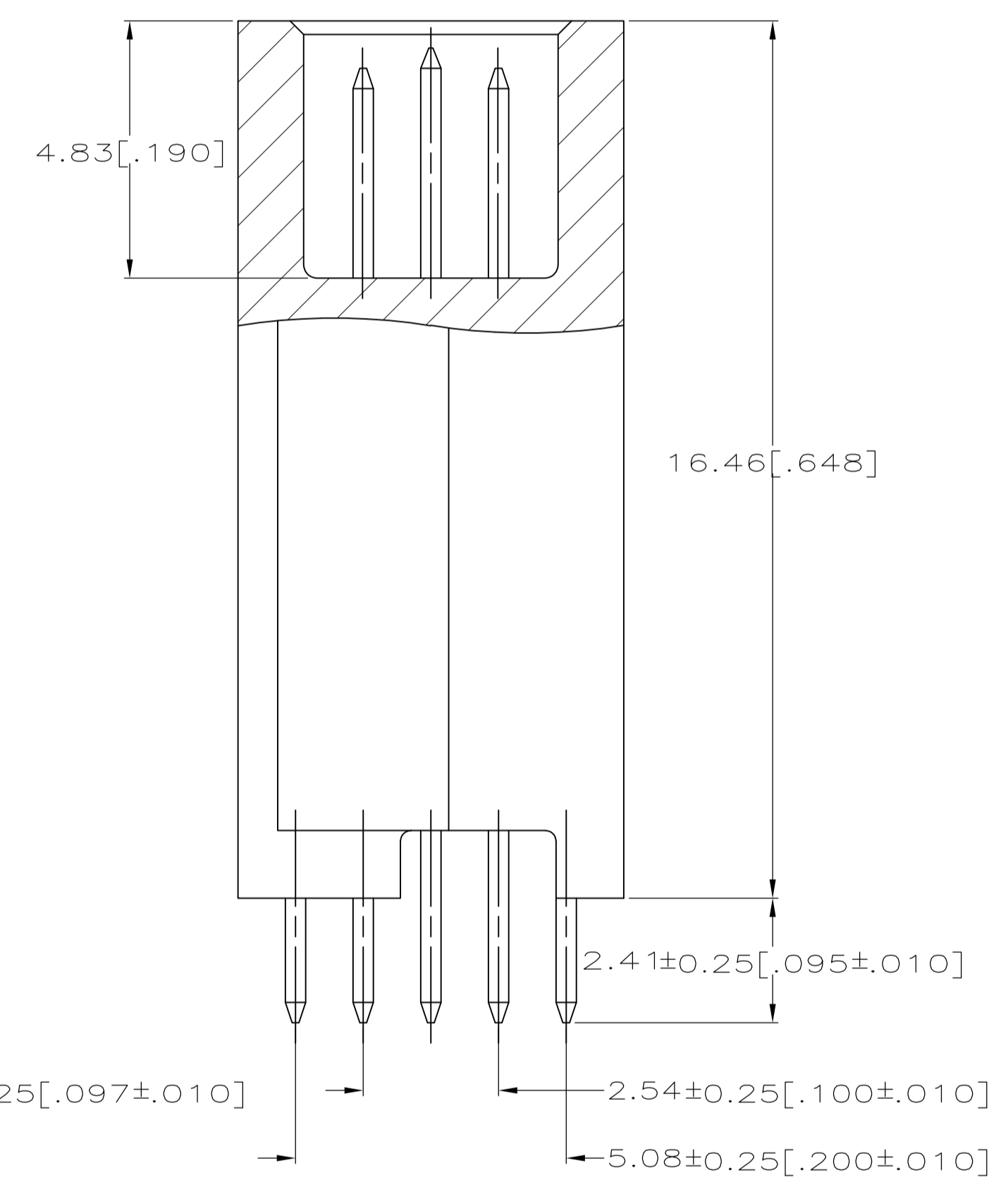
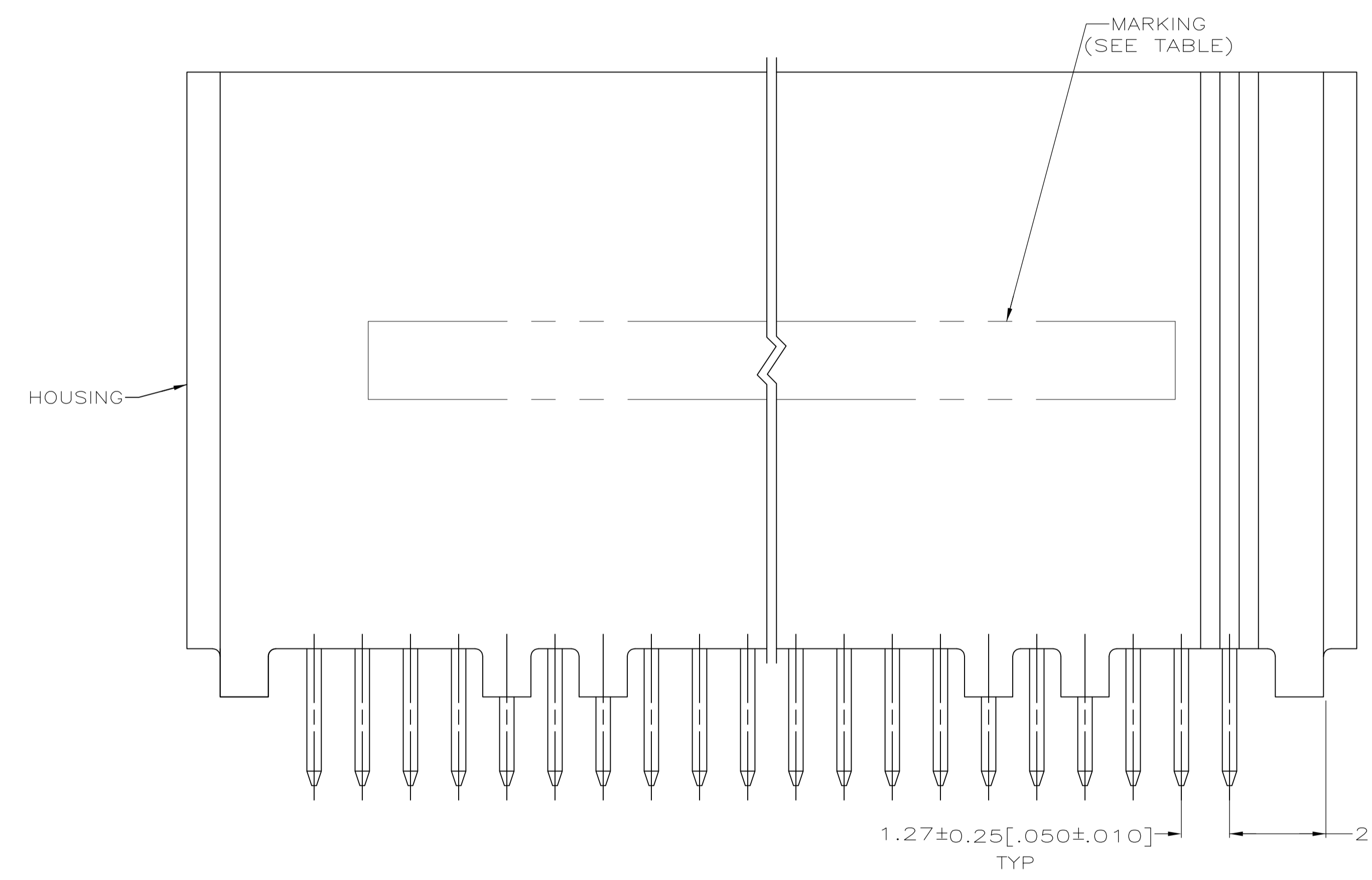


REVISIONS				
P	LTR	DESCRIPTION	DATE	APP'D
D		REVISED PER ECO-16-010704	20JUL2016	SY SY



- ① HOUSING: HIGH TEMPERATURE THERMOPLASTIC, COLOR NATURAL OR LIGHT NATURAL.
PIN CONTACTS: PHOSPHOR BRONZE.
GROUND BUSES: PHOSPHOR BRONZE.
- ② PIN CONTACTS: 0.00076[.000030] MIN GOLD IN CONTACT AREA, 0.00254-0.00762[.000100-.000300] TIN-LEAD ON SOLDER TAIL, ALL OVER 0.00127-0.00254[.000050-.000100] NICKEL ON ENTIRE CONTACT.
GROUND BUSES: 0.00076[.000030] MIN GOLD IN CONTACT AREA, 0.00254-0.00762[.000100-.000300] TIN-LEAD ON SOLDER TAIL, ALL OVER 0.00127-0.00254[.000050-.000100] NICKEL ON ENTIRE BUS.
- ③ AMP AND DATE CODE MARKED IN AREA INDICATED, ON SAME SIDE AS POSITION NUMBER 2 INDICATOR.
- ④ AMP, DATE CODE AND PART NUMBER MARKED IN AREA INDICATED, ON SAME SIDE AS POSITION NUMBER 2 INDICATOR.
- ⑤ ONE GROUND BUS WITH 4 TAILS PER EACH 20 PIN CONTACTS.



	125.73[4.950]	99	128.22[5.048]	130.81[5.150]	132.44[5.214]	200	149009-9
	113.03[4.450]	89	115.52[4.548]	118.11[4.650]	119.74[4.714]	180	149009-8
	100.33[3.950]	79	102.82[4.048]	105.41[4.150]	107.04[4.214]	160	149009-7
OBSOLETE	87.63[3.450]	69	90.12[3.548]	92.71[3.650]	94.34[3.714]	140	149009-6
	74.93[2.950]	59	77.42[3.048]	80.01[3.150]	81.64[3.214]	120	149009-5
	62.23[2.450]	49	64.72[2.548]	67.31[2.650]	68.94[2.714]	100	149009-4
	49.53[1.950]	39	52.02[2.048]	54.61[2.150]	56.24[2.214]	80	149009-3
OBSOLETE	36.83[1.450]	29	39.32[1.548]	41.91[1.650]	43.54[1.714]	60	149009-2
	24.13[0.950]	19	26.62[1.048]	29.21[1.150]	30.84[1.214]	40	149009-1
MARKING	E	D	C	B	A	NO OF POS	PART NUMBER

THIS DRAWING IS A CONTROLLED DOCUMENT.

DIMENSIONS: mm [INCHES]

TOLERANCES UNLESS OTHERWISE SPECIFIED:

0. PLC	± -
1. PLC	± -
2. PLC	± -
3. PLC	± 0.13[0.005]
4. PLC	± -
ANGLES	± -

MATERIAL FINISH

APPROVED: J. GERACE 11-22-94
P. MATAR 11-22-94
A. MONK 11-22-94

PRODUCT SPEC: 108-1272

APPLICATION SPEC: 114-11005

WEIGHT: 0.000000

CUSTOMER DRAWING

STE TE Connectivity

PLUG ASSEMBLY, 18.75[.738] STACK, 2.41[.095] TAIL, BOARD TO BOARD, MICROSTRIP

SIZE: A1
SCALE: 10:1
SHEET: 1 OF 1
REV: D