

4

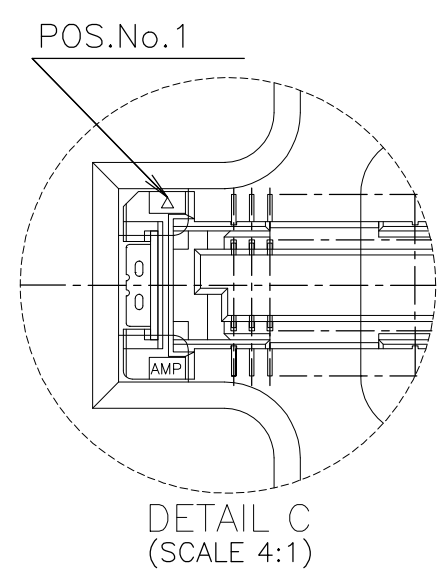
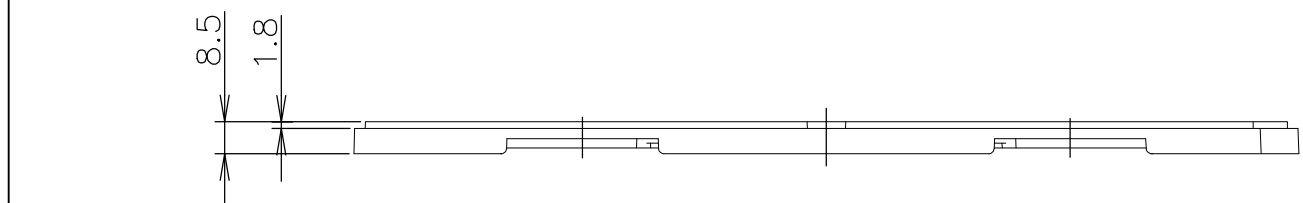
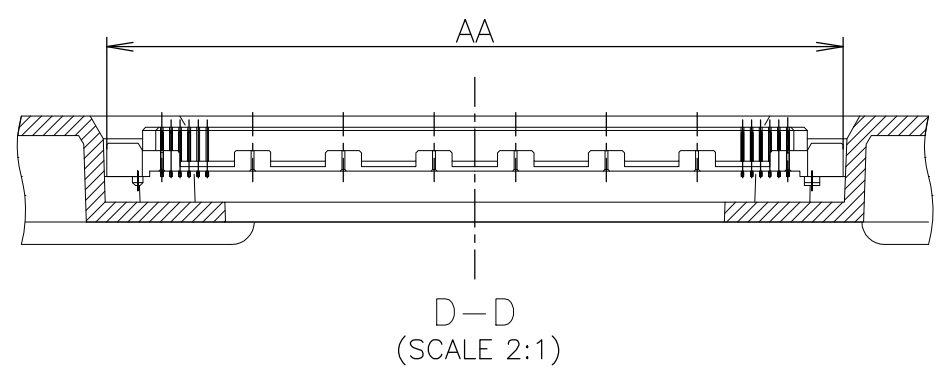
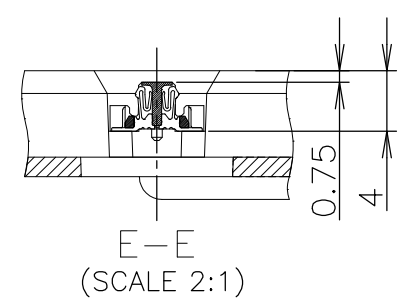
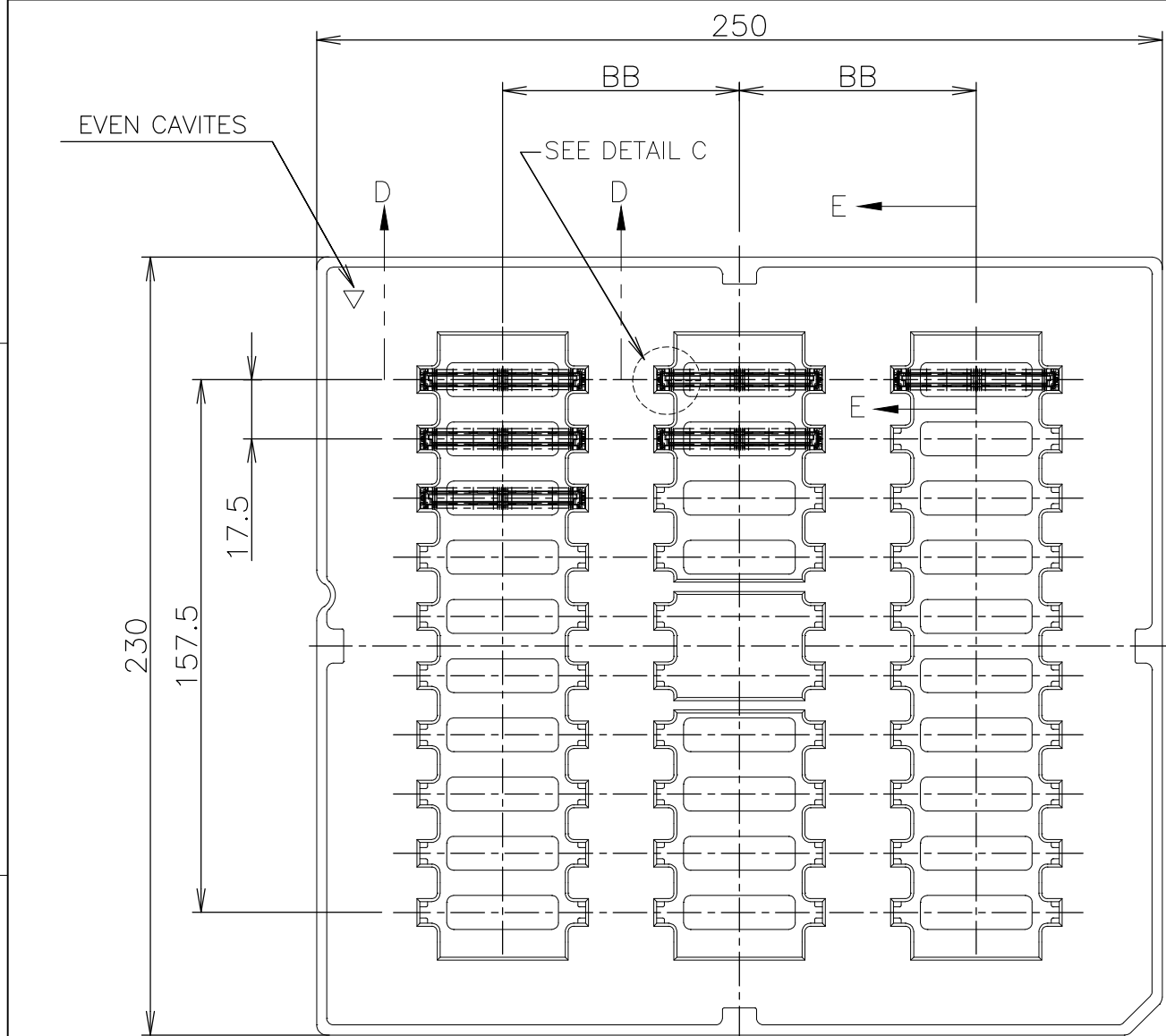
3

2

1

THIS DRAWING IS UNPUBLISHED. RELEASED FOR PUBLICATION .OCT 1995  
 © COPYRIGHT 1995 BY TYCO ELECTRONICS CORPORATION. ALL RIGHTS RESERVED.

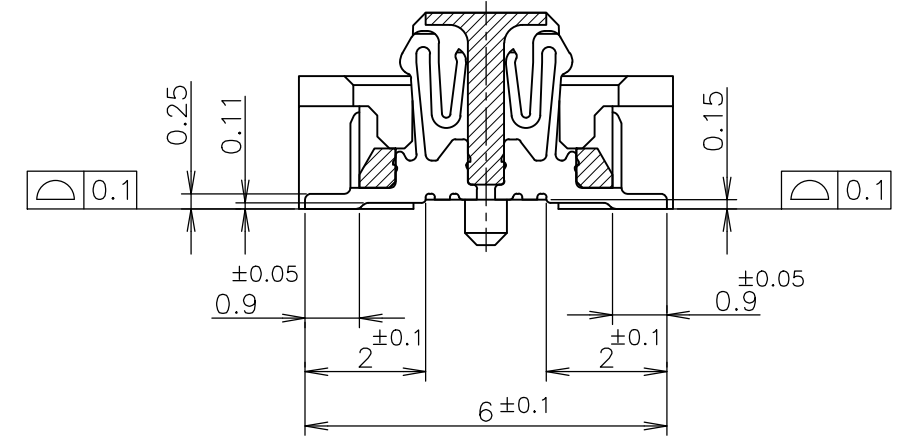
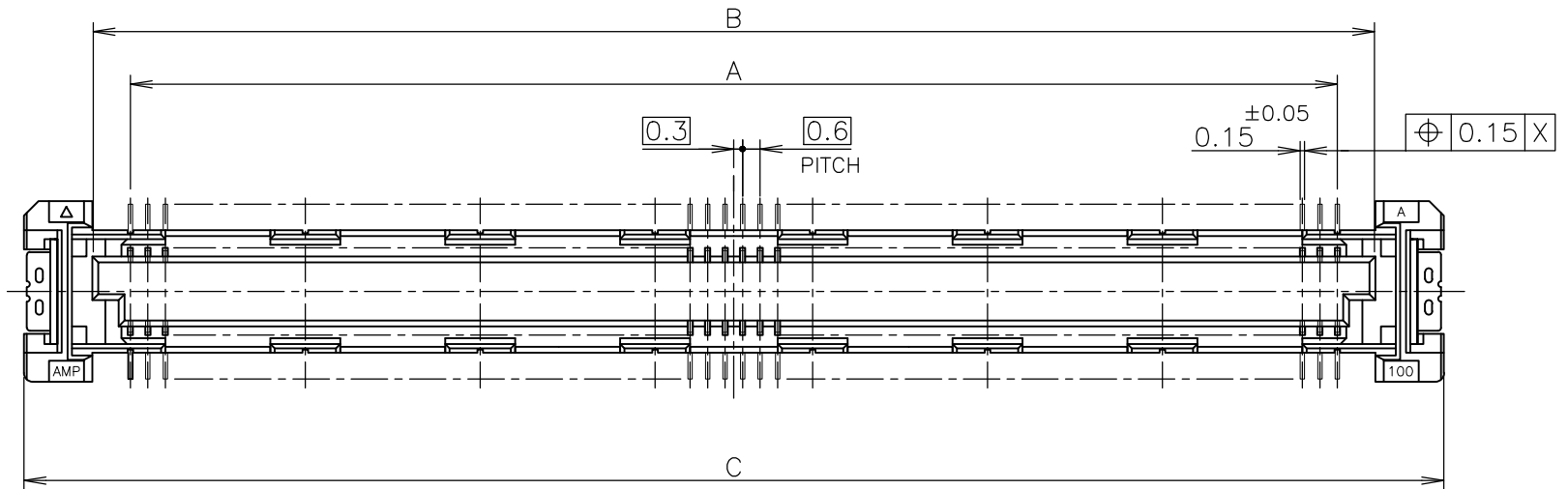
LOC	DIST	REVISIONS					
J		P	LTR	DESCRIPTION	DATE	DWN	APVD
			A1	REVISED PER ECO-19-011375	19JUL2019	R.L	H.L



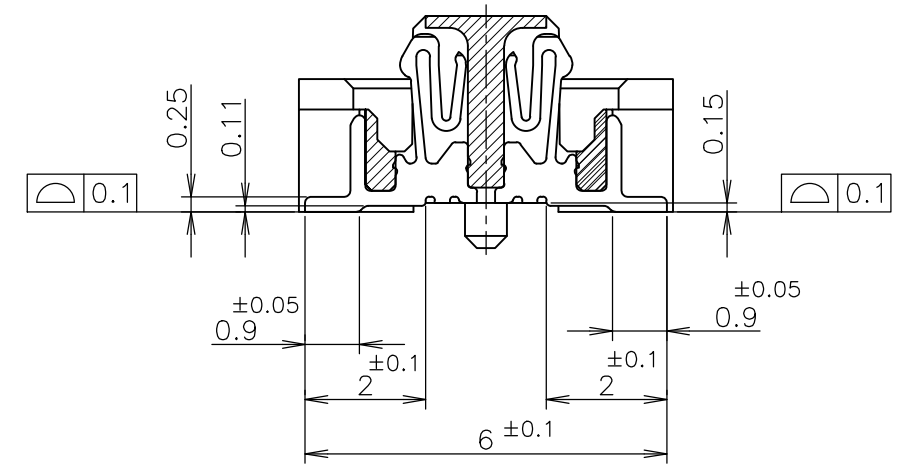
SEALANT	AVAILABLE	3	30	70	54.7	160	1-5316560-1
	AVAILABLE	↑	↑	↑	48.7	140	1- -0
	NOT AVAILABLE				42.7	120	-9
	NOT AVAILABLE	↓	↓	↓	36.7	100	-8
	NOT AVAILABLE	3	30	70	33.7	90	-7
	AVAILABLE	5	50	43	30.7	80	-6
	NOT AVAILABLE	↑	↑	↑	27.7	70	-5
					24.7	60	-4
					21.7	50	-3
	NOT AVAILABLE	5	50	43	15.7	30	5316560-1
SEALANT	TOOLING STATUS	ROW	QTY	BB	AA	POS.	PART NO.

THIS DRAWING IS A CONTROLLED DOCUMENT.		DWN LEO ZHOU 17NOV04	Tyco Electronics Corporation Kawasaki, Japan	
DIMENSIONS: 単位: 耗 mm	TOLERANCES UNLESS OTHERWISE SPECIFIED: 一般公差	CHK STEVEN YAO 17NOV04	NAME I.ENOMOTO 17NOV04	
0 PLC ± -	1 PLC ± -	PRODUCT SPEC 製品規格 108-60047	HARD TRAY ASSY FH 0.6BTB CONNECTOR REC 4H W/G-CONT	
2 PLC ± -	3 PLC ± -	APPLICATION SPEC 取付適用規格 114-5255	SIZE A3	CAGE CODE 00779
4 PLC ± -	ANGLES ± -	WEIGHT	DRAWING NO 番号 G-5316560	RESTRICTED TO
MATERIAL 材料	FINISH 仕上	CUSTOMER DRAWING		SCALE 尺度 1:2
GENERAL TOLERANCE 一般公差 10 : ±0.2 30 ≥ 10 : ±0.25 100 ≥ 30 : ±0.3 ANGLES: ±3°		SHEET 1 OF 3		REV A1

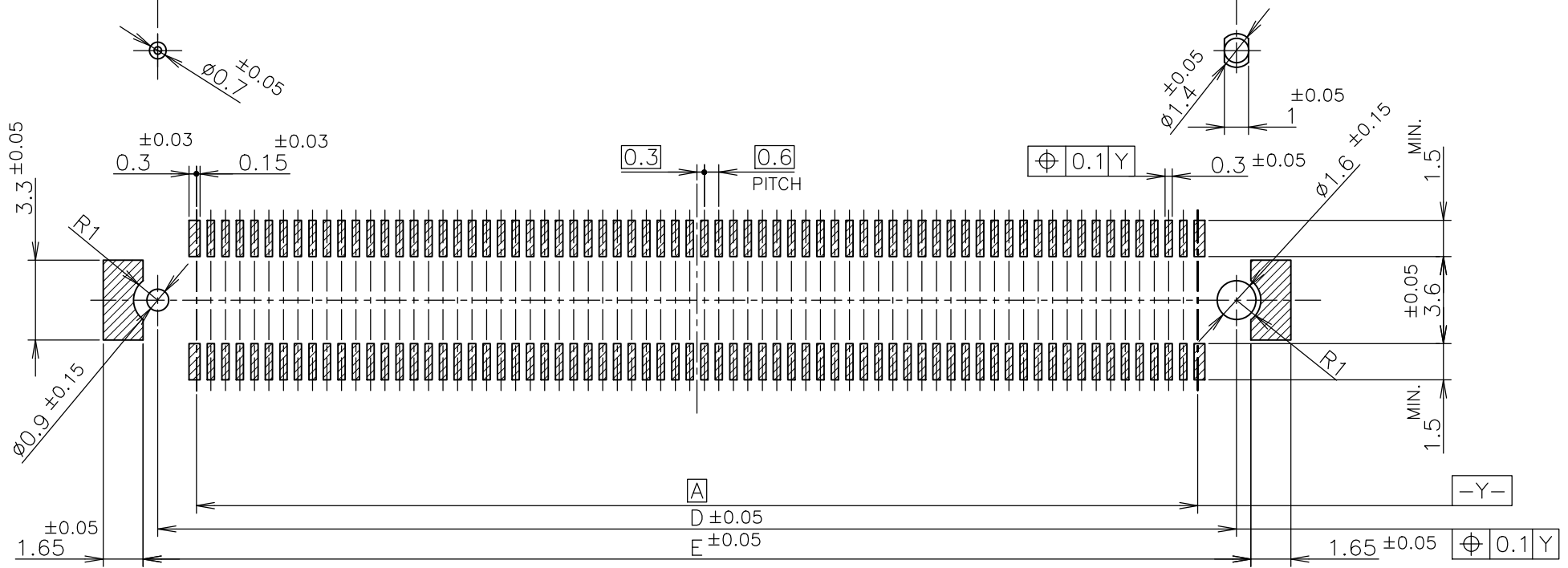
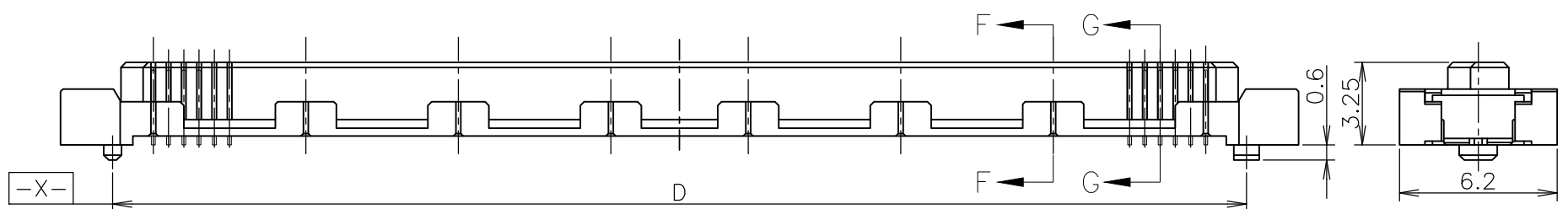
LOC	DIST	REVISIONS		
		P	LTR	DESCRIPTION
J		-	-	SEE SHEET 1
				DATE
				DWN
				APVD



G-G  
(SIGNAL POSITION)  
(SCALE 8:1)



F-F  
(GROUND POSITION)  
(SCALE 8:1)



AVAILABLE	51.8	50.6	54.7	50	47.4	160	1-5316560-1
AVAILABLE	45.8	44.6	48.7	44	41.4	140	1-5316560-0
NOT AVAILABLE	39.8	38.6	42.7	38	35.4	120	9
AVAILABLE	33.8	32.6	36.7	32	29.4	100	8
NOT AVAILABLE	30.8	29.6	33.7	29	26.4	90	7
AVAILABLE	27.8	26.6	30.7	26	23.4	80	6
	24.8	23.6	27.7	23	20.4	70	5
	21.8	20.6	24.7	20	17.4	60	4
	18.8	17.6	21.7	17	14.4	50	3
AVAILABLE	15.8	14.6	18.7	14	11.4	40	2
NOT AVAILABLE	12.8	11.6	15.7	11	8.4	30	5316560-1
TOOLING STATUS	E	D	C	B	A	POS	△ PART NO.

REFERENCE P.C.BOARD LAYOUT

THIS DRAWING IS A CONTROLLED DOCUMENT.

DIMENSIONS: 単位: 耗 mm	TOLERANCES UNLESS OTHERWISE SPECIFIED: 一般公差
	0 PLC ± 0.3
	1 PLC ± 0.3
	2 PLC ± 0.3
	3 PLC ± 0.3
	4 PLC ± 0.3
	ANGLES ± 3'
MATERIAL 材料	FINISH 仕上

DWN	Tyco Electronics Corporation Kawasaki, Japan		
CHK	NAME 名称		
APVD	HARD TRAY ASSY FH 0.6BTB CONNECTOR REC 4H W/G-CONT		
PRODUCT SPEC 製品規格	SIZE	CAGE CODE	DRAWING NO 番号
APPLICATION SPEC 取付適用規格	A3	00779	G-5316560
WEIGHT	CUSTOMER DRAWING		RESTRICTED TO
	SCALE 尺度	SHEET	REV
	4:1	2 of 3	A1

THIS DRAWING IS UNPUBLISHED. RELEASED FOR PUBLICATION .OCT 1995

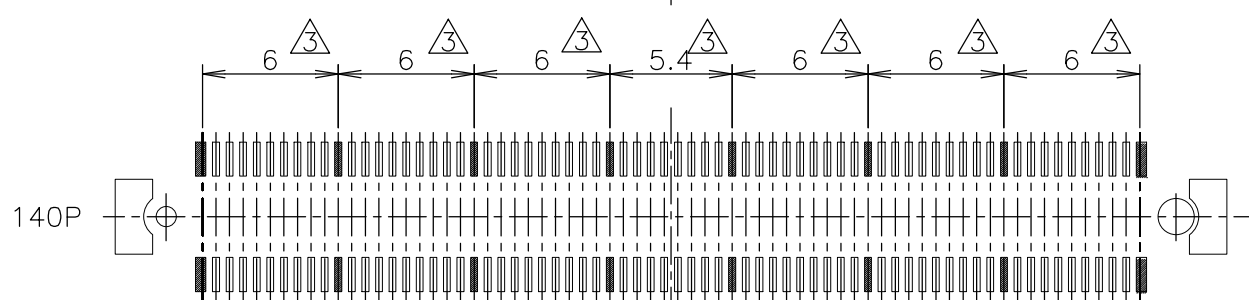
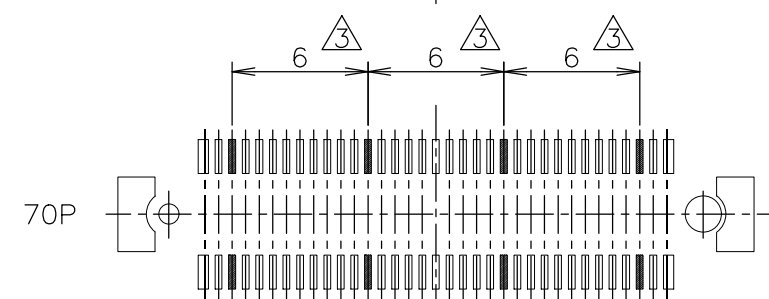
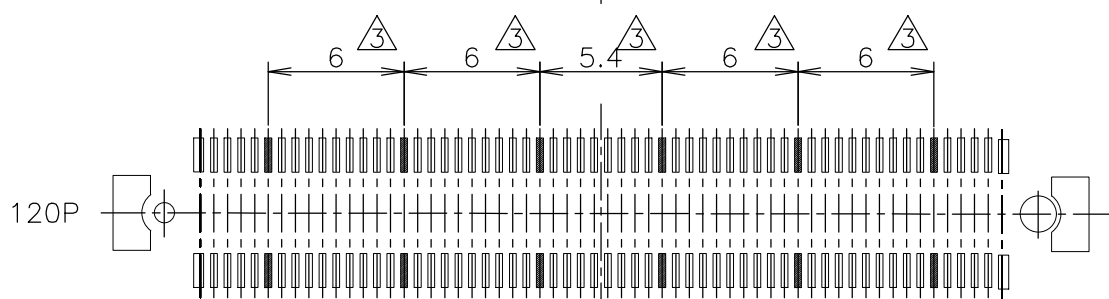
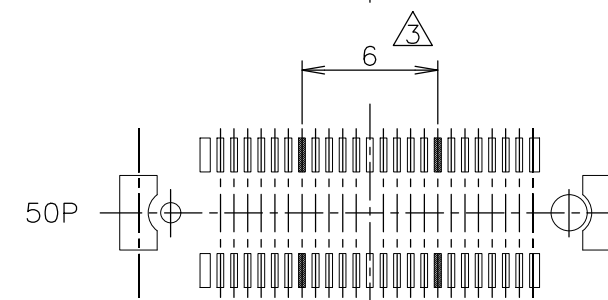
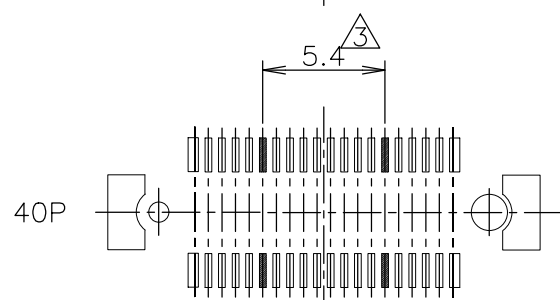
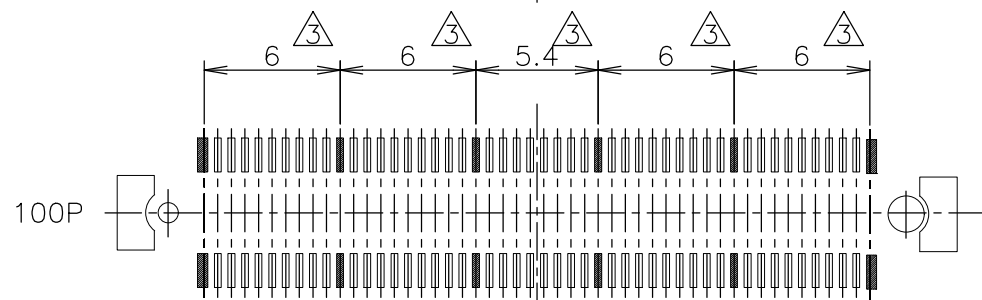
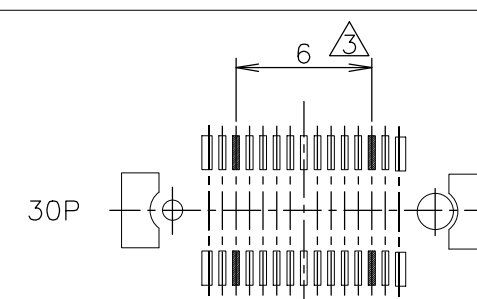
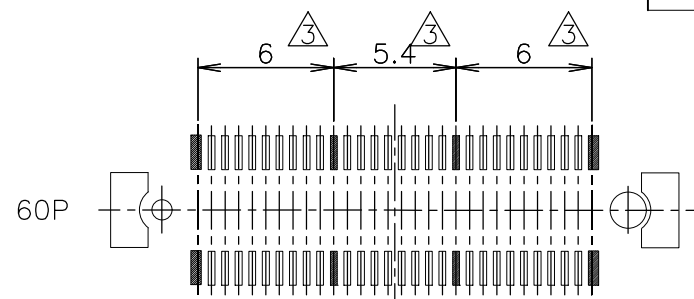
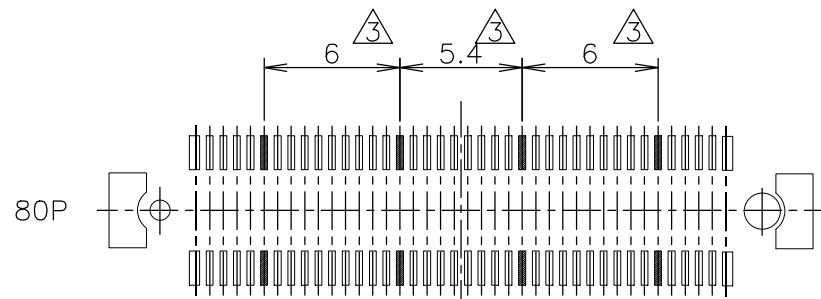
© COPYRIGHT 1995 BY TYCO ELECTRONICS CORPORATION. ALL RIGHTS RESERVED.

LOC J DIST

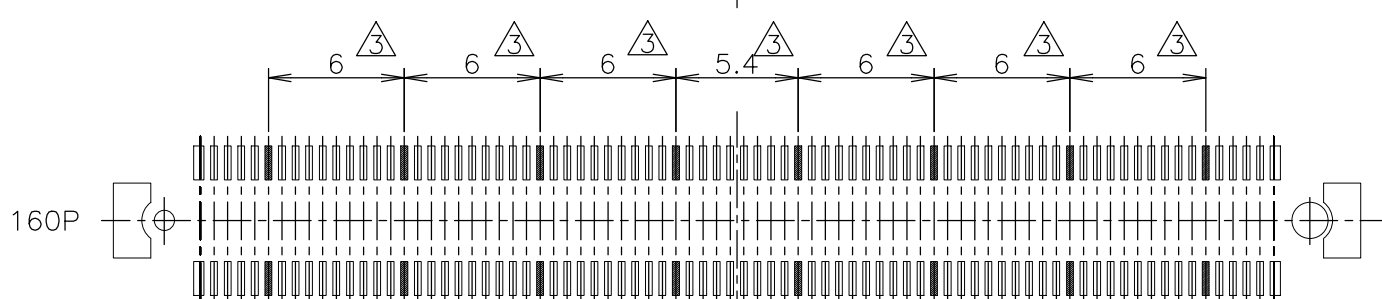
REVISIONS

変更

P	LTR	DESCRIPTION	DATE	DWN	APVD
	-	SEE SHEET 1	-	-	-



- ① MATERIAL ; HOUSING : HIGH TEMP THERMO PLASTIC UL94V-0  
CONTACT : COPPER ALLOY
- ② FINISH ; UNDER PL Ni 0.0013mm MIN ALL OVER.  
CONTACT AREA 0.0002 MIN Au PL.  
SOLDERING AREA: SIGNAL POS 0.00005 MIN Au PL.  
GROUND POS 0.001 MIN TIN PL.
- ③ THIS POSITION IS GROUND CIRCUIT.
- ④ PACKING SEE SHEET 1.



THIS DRAWING IS A CONTROLLED DOCUMENT.		DWN	Tyco Electronics Corporation Kawasaki, Japan	
DIMENSIONS: 単位: 耗 mm		CHK	NAME 名称	
TOLERANCES UNLESS OTHERWISE SPECIFIED: 一般公差		APVD	HARD TRAY ASSY FH 0.6BTB CONNECTOR REC 4H W/G-CONT	
0 PLC ± 0.3 1 PLC ± 0.3 2 PLC ± 0.3 3 PLC ± 0.3 4 PLC ± 0.3 ANGLES ± 3'		PRODUCT SPEC 製品規格	SIZE	RESTRICTED TO
MATERIAL 材料		APPLICATION SPEC 取付適用規格	CAGE CODE	
FINISH 仕上		WEIGHT	DRAWING NO 番号	
		CUSTOMER DRAWING	A300779	
			G-5316560	
			SCALE 3:1	
			SHEET 3 OF 3	
			REV A1	