

4

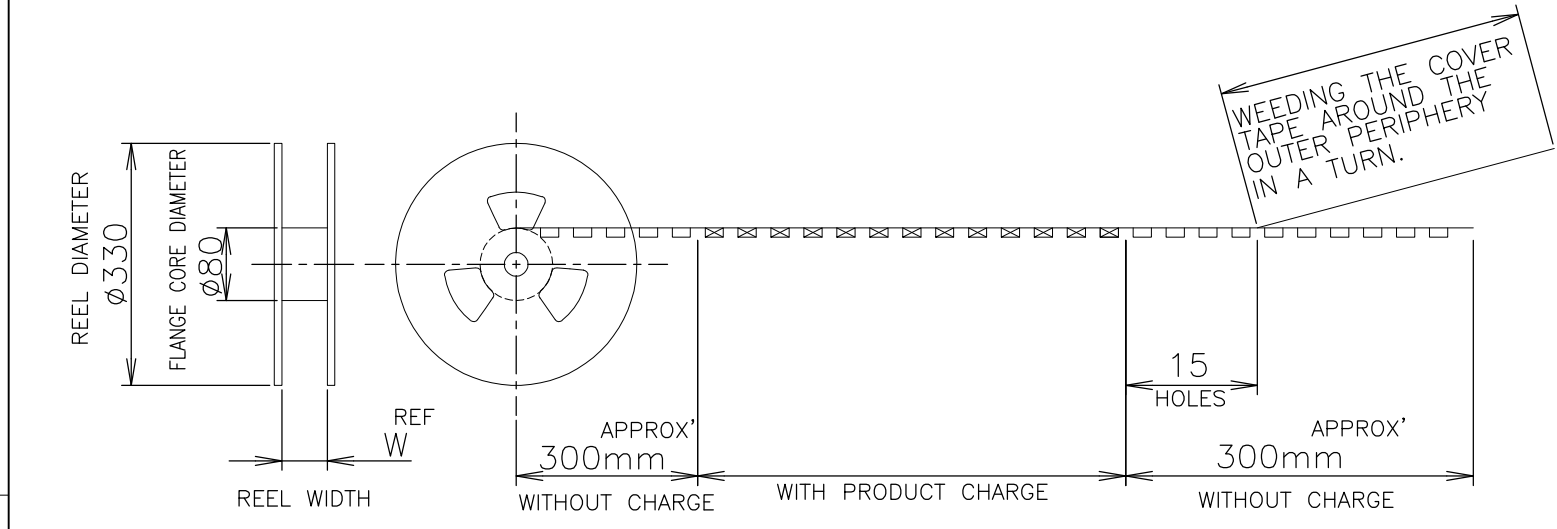
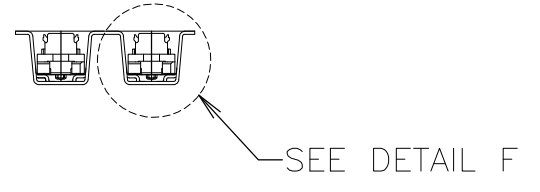
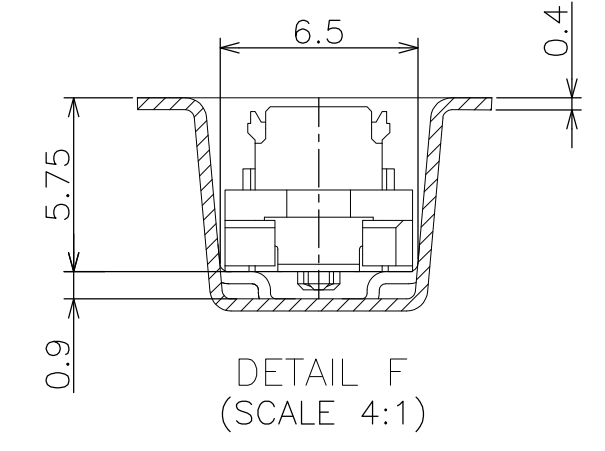
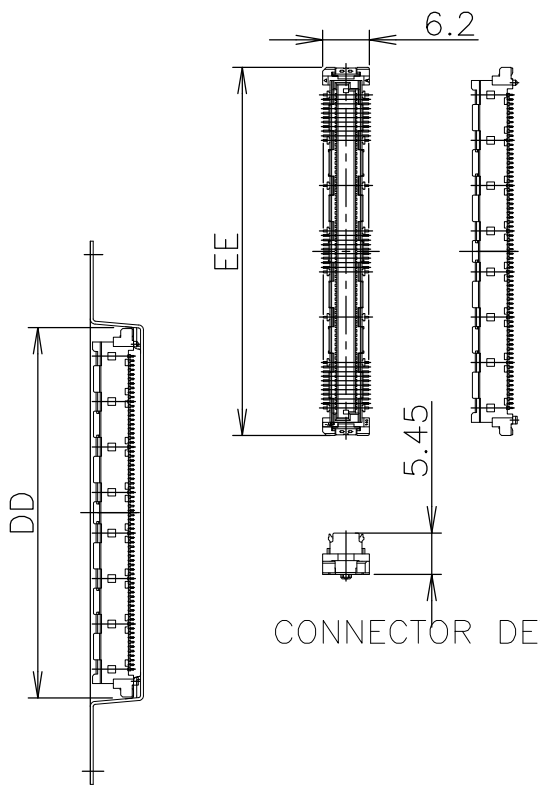
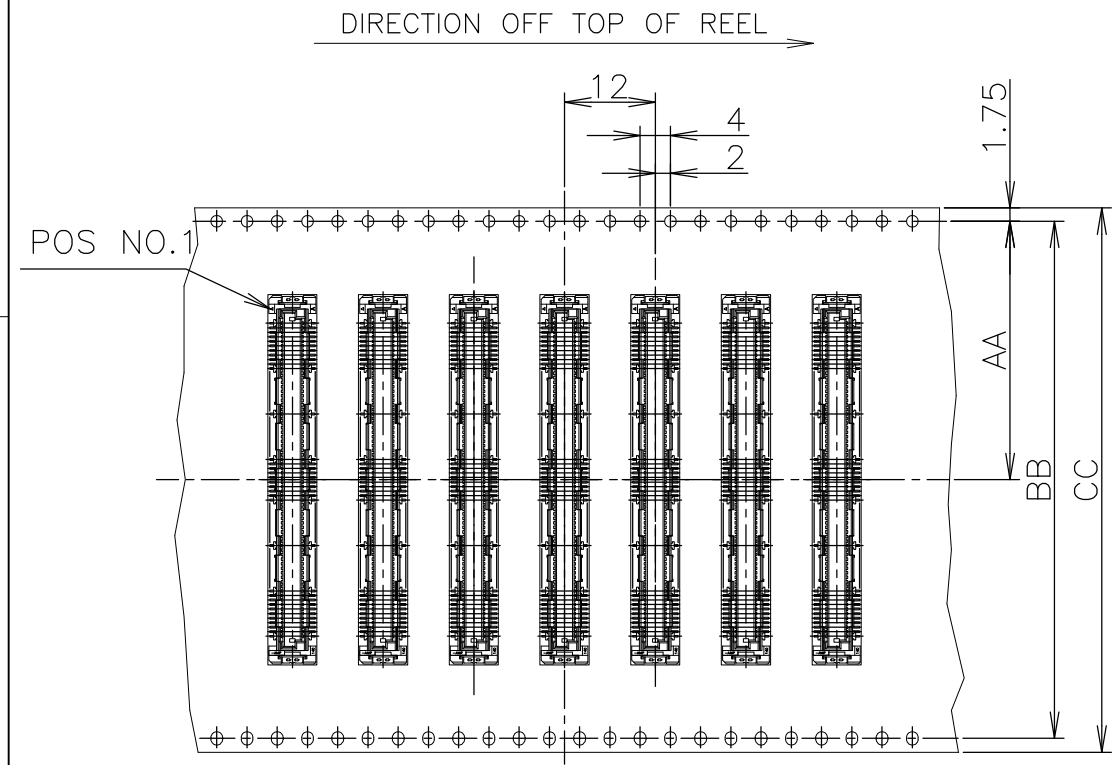
3

2

1

THIS DRAWING IS UNPUBLISHED. RELEASED FOR PUBLICATION JUN , 1996.
 © COPYRIGHT 1996 BY TYCO ELECTRONICS CORPORATION. ALL RIGHTS RESERVED.

LOC	DIST	REVISIONS					
		P	LTR	DESCRIPTION	DATE	DWN	APVD
J			B	REVISED ECR-08-000339	01FEB08	T.T	T.F
			C	REVISED PER ECO-17-002393	27MAY17	B.J	S.Y



SEALANT	TOOLING STATUS	QTY.	W	EE	DD	CC	BB	AA	POS.	PART NO.
SEALANT	NOT AVAILABLE	800	77.5	54.7	55	72	68.4	34.2	160	6-5353185-1
	AVAILABLE		77.5	48.7	49	72	68.4	34.2	140	6-0
	NOT AVAILABLE		61.5	42.7	43	56	52.4	26.2	120	5-9
	NOT AVAILABLE		61.5	36.7	37	56	52.4	26.2	100	5-8
	NOT AVAILABLE		61.5	33.7	34	56	52.4	26.2	90	5-7
	NOT AVAILABLE		49.5	30.7	31	44	40.4	20.2	80	5-6
	AVAILABLE		49.5	27.7	28	44	40.4	20.2	70	5-5
	NOT AVAILABLE		49.5	24.7	25	44	40.4	20.2	60	5-4
	NOT AVAILABLE		37.5	21.7	22	32	28.4	14.2	50	5-3
	NOT AVAILABLE		37.5	18.7	19	32	28.4	14.2	40	5-2
NON SEALANT	NOT AVAILABLE	800	29.5	15.7	16	24	11.5	30	5-5353185-1	
	NOT AVAILABLE	800	77.5	54.7	55	72	68.4	34.2	160	1-5353185-1
	AVAILABLE		77.5	48.7	49	72	68.4	34.2	140	1-0
	NOT AVAILABLE		61.5	42.7	43	56	52.4	26.2	120	-9
	AVAILABLE		61.5	36.7	37	56	52.4	26.2	100	-8
	NOT AVAILABLE		61.5	33.7	34	56	52.4	26.2	90	-7
	NOT AVAILABLE		49.5	30.7	31	44	40.4	20.2	80	-6
	AVAILABLE		49.5	27.7	28	44	40.4	20.2	70	-5
	NOT AVAILABLE		49.5	24.7	25	44	40.4	20.2	60	-4
	NOT AVAILABLE		37.5	21.7	22	32	28.4	14.2	50	-3

THIS DRAWING IS A CONTROLLED DOCUMENT.

DWN LEO ZHOU 14DEC04
 CHK STEVEN YAO 14DEC04
 APVD I.ENOMOTO 14DEC04

Tyco Electronics Corporation
 Kawasaki, Japan

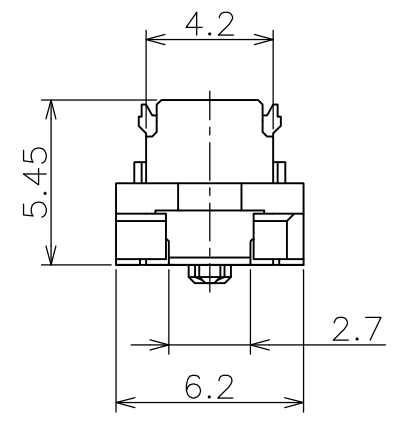
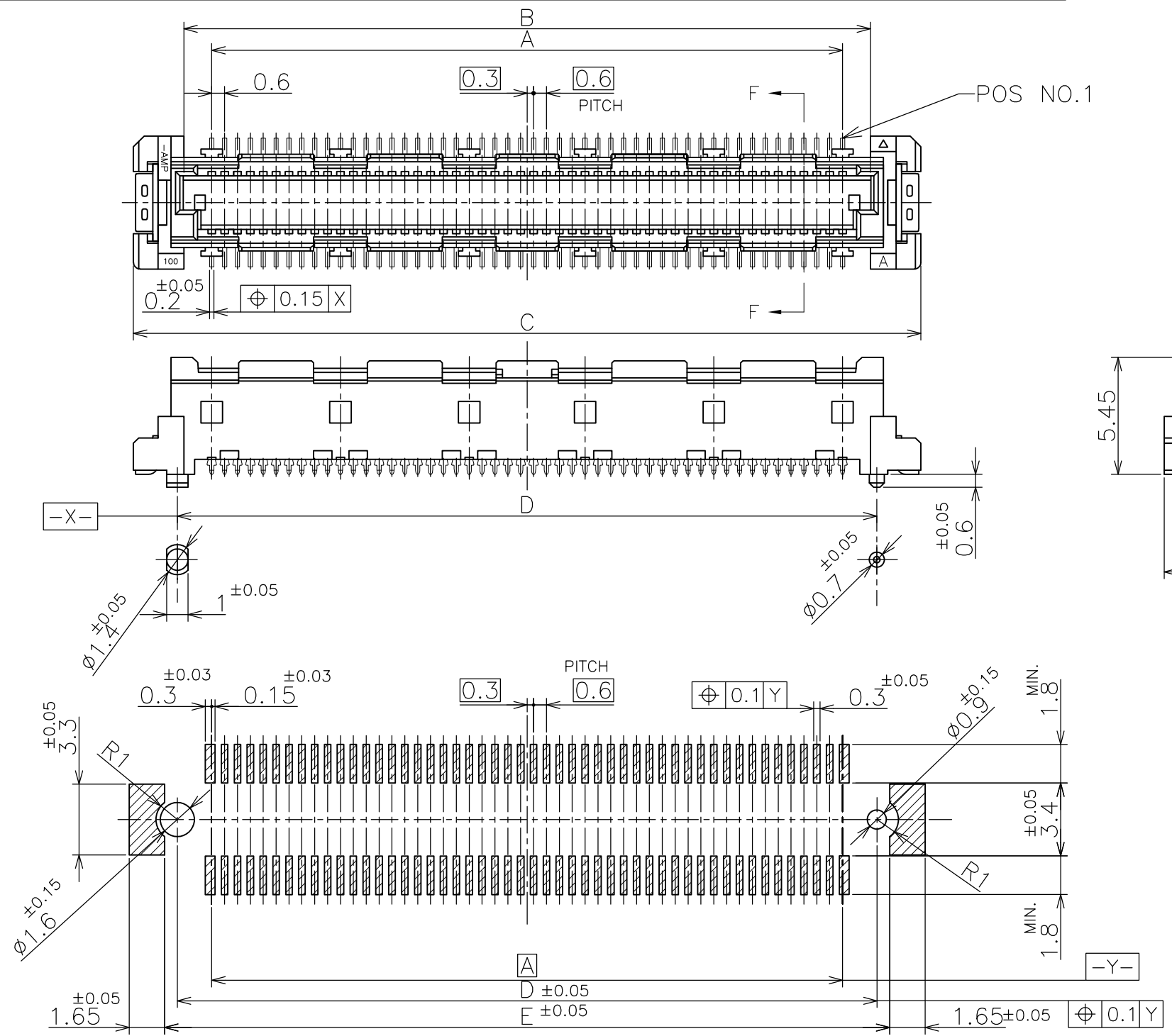
EMBOSS ASSY
 FH 0.6BTB CONNECTOR
 PLUG 6H STD TYPE

PRODUCT SPEC 製品規格 108-60047
 APPLICATION SPEC 取付適用規格 114-5255

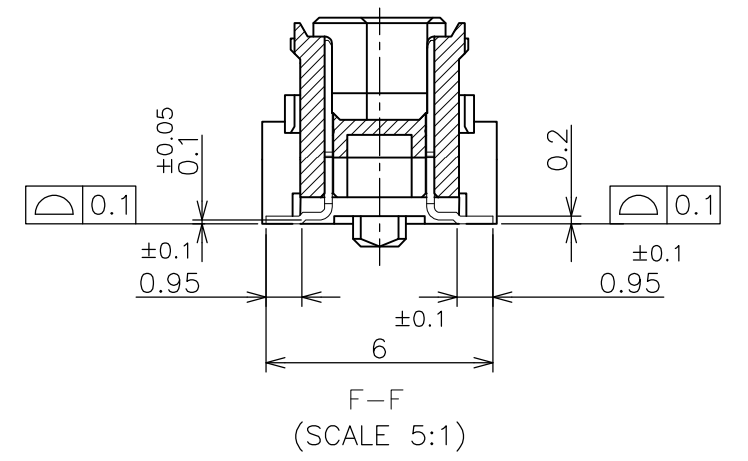
SIZE A3 CAGE CODE 00779 DRAWING NO. 番号 G-5353185 RESTRICTED TO

MATERIAL 材料 FINISH 仕上 WEIGHT CUSTOMER DRAWING SCALE 尺度 1:1 SHEET 1 OF 2 REV C

LOC J	DIST	REVISIONS 変更		
P	LTR	DESCRIPTION	DATE	DWN APVD
	-	SEE SHEET 1	-	-



- △ MATERIAL : HOUSING : HIGH TEMP THERMO PLASTIC UL94V-0
CONTACT : COPPER ALLOY
- △ FINISH : UNDER PL Ni 0.0013mm MIN ALL OVER.
CONTACT AREA 0.0002 MIN Au PL.
SOLDERING AREA 0.001 MIN TIN PL.
- △ PACKING ASSY DWG SEE SHEET 1.
- △ THIS PRODUCT WAS COATED BY FLUX-PENETRATION-INHIDTING AGENT.



REFERENCE P.C. BOARD LAYOUT
(VIEW FROM CONN. MOUNTING SIDE)

51.8	50.6	54.7	50	47.4	160	1-5353185-1 & 6-5353185-1
45.8	44.6	48.7	44	41.4	140	1-5353185-0 & 6-5353185-0
39.8	38.6	42.7	38	35.4	120	↑ -9 & 5- ↑ -9
33.8	32.6	36.7	32	29.4	100	↑ -8 & 5- ↑ -8
30.8	29.6	33.7	29	26.4	90	↑ -7 & 5- ↑ -7
27.8	26.6	30.7	26	23.4	80	↑ -6 & 5- ↑ -6
24.8	23.6	27.7	23	20.4	70	↑ -5 & 5- ↑ -5
21.8	20.6	24.7	20	17.4	60	↑ -4 & 5- ↑ -4
18.8	17.6	21.7	17	14.4	50	↑ -3 & 5- ↑ -3
15.8	14.6	18.7	14	11.4	40	↑ -2 & 5- ↑ -2
12.8	11.6	15.7	11	8.4	30	5353185-1 & 5-5353185-1
E	D	C	B	A	POS	△ PART NO.

THIS DRAWING IS A CONTROLLED DOCUMENT.

DIMENSIONS: 単位: 耗 mm	TOLERANCES UNLESS OTHERWISE SPECIFIED: 一般公差
0 PLC ± 0.3	1 PLC ± 0.3
2 PLC ± 0.3	3 PLC ± 0.3
4 PLC ± 0.3	PLC ANGLES ± 3'
MATERIAL 材料	FINISH 仕上

DWN	Tyco Electronics Corporation Kawasaki, Japan
CHK	
APVD	
PRODUCT SPEC 製品規格	
APPLICATION SPEC 取付適用規格	NAME 名称 EMBOSS ASSY FH 0.6BTB CONNECTOR PLUG 6H STD TYPE
WEIGHT	SIZE A3 CAGE CODE 00779 DRAWING NO 番号 G-5353185 RESTRICTED TO
CUSTOMER DRAWING	SCALE 尺度 4:1 SHEET 2 OF 2 REV C