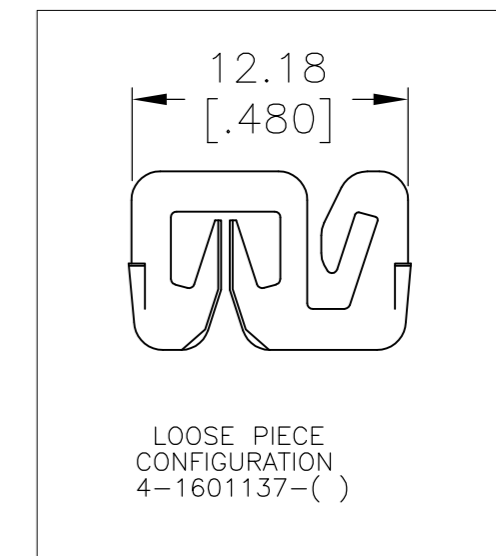
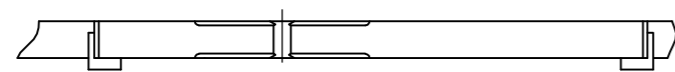
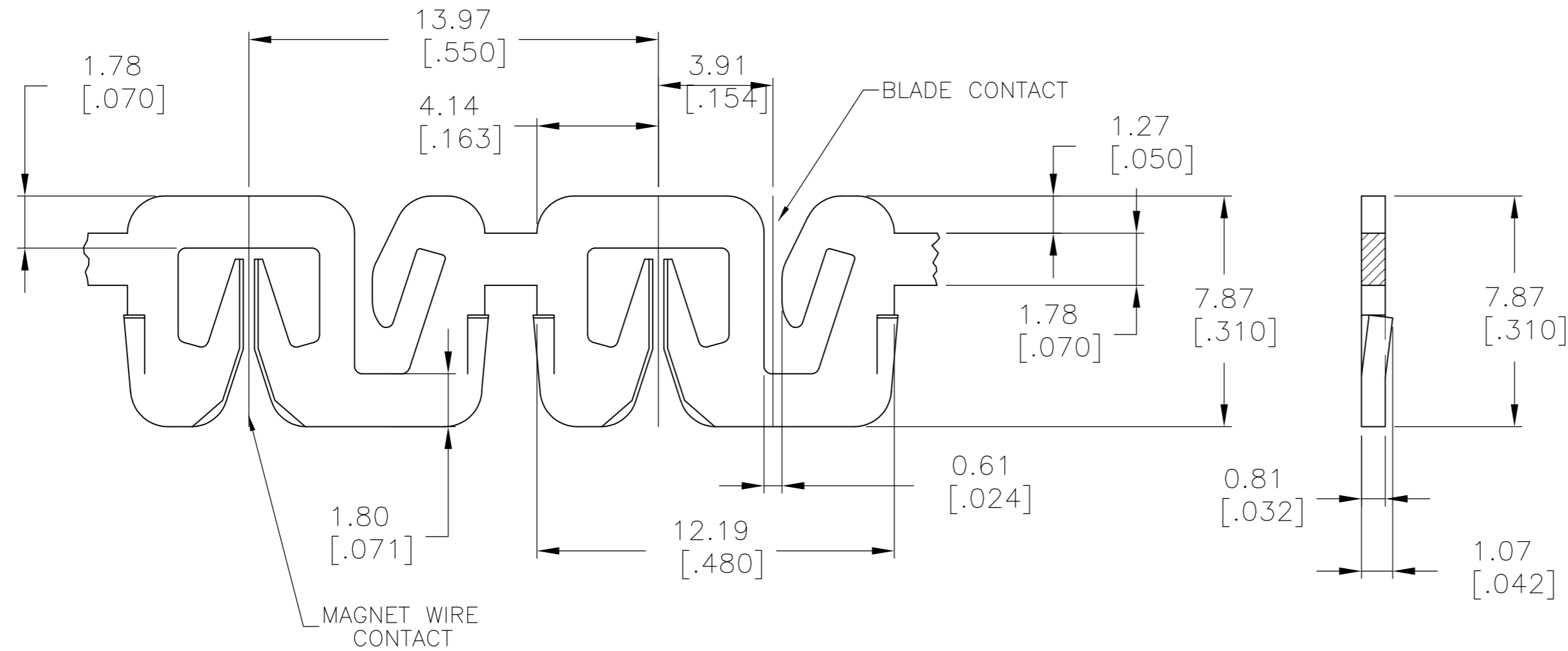


THIS DRAWING IS UNPUBLISHED. RELEASED FOR PUBLICATION
 © COPYRIGHT BY TYCO ELECTRONICS CORPORATION. ALL RIGHTS RESERVED.

LOC		DIST		REVISIONS			
P	LTR	DESCRIPTION		DATE	DWN	APVD	
	C	REVISED PER ECR-08-021071		28AUG08	HMR	GJ	

- SPECIFICATIONS:
 MAGNET WIRE: 15-23 AWG, 1.47[.058] - 0.56[.022] DIA COPPER.
 BLADE CONTACT: ACCEPTS 0.8[.032] THICK BLADE.
- POCKET RECOMMENDATION: #1601437
- TERMINAL APPLICATION TO COMPLY WITH TYCO ELECTRONICS SPECIFICATION 114-13210.
- CONSULT TYCO ELECTRONICS FOR PRODUCT AND APPLICATION SPECIFICS PRIOR TO FIRST USE.



THIS DRAWING IS A CONTROLLED DOCUMENT.		DWN J.WELLER 11JAN2002	Tyco Electronics Corporation Harrisburg, PA 17105-3608	
DIMENSIONS: mm [INCHES]		CHK M.FEHER 11JAN2002	NAME MEDIUM RANGE WIRE TO BLADE RECEPTACLE SIAMEZE TERMINAL	
TOLERANCES UNLESS OTHERWISE SPECIFIED: 0 PLC ± - 1 PLC ± 0.25[.010] 2 PLC ± 0.13[.005] 3 PLC ± - 4 PLC ± - ANGLES ± 2°		APVD K.RANDOLPH 11JAN2002	APPLICATION SPEC 3 4	RESTRICTED TO -
MATERIAL BRASS, SPRING HARD		FINISH SEE TABLE	WEIGHT -	SCALE 6:1
		FINISH PRE-TIN PLATE OVER COPPER UNDERPLATE	REFERENCE P/N 151-003-014	TE P/N 1601137-2
		CUSTOMER DRAWING	SIZE A2	CAGE CODE 00779
			DRAWING NO C=1601137	SHEET 1 of 1
			REV C	