

4

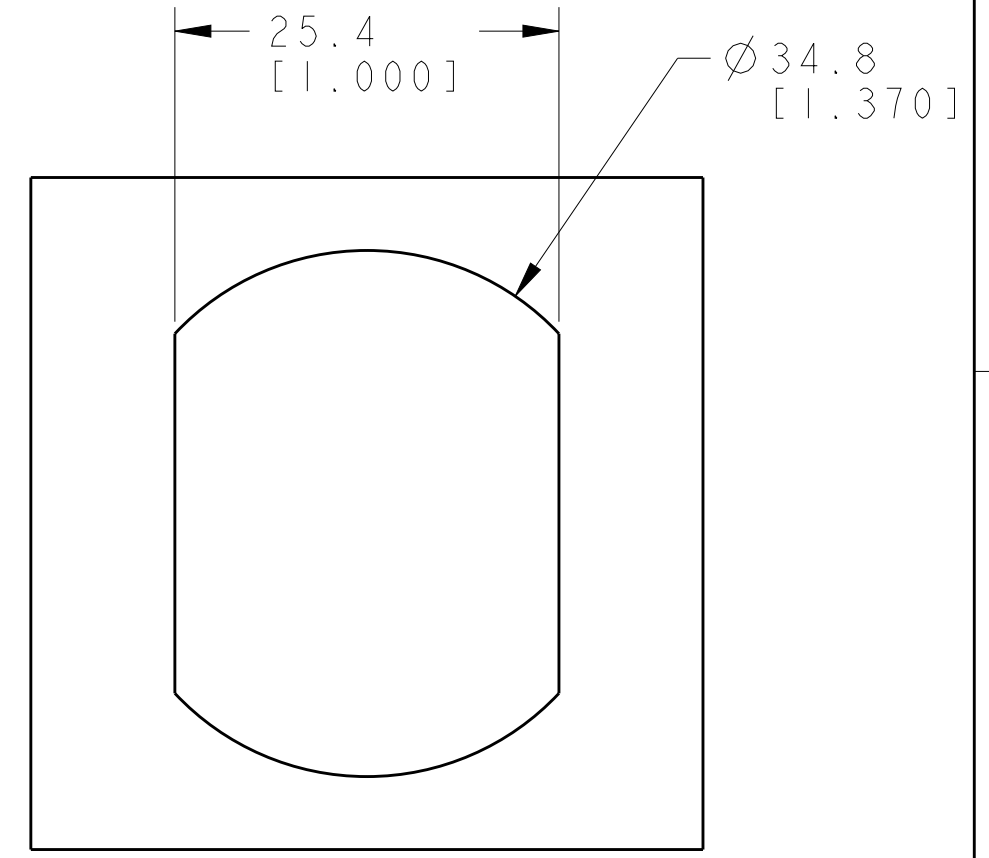
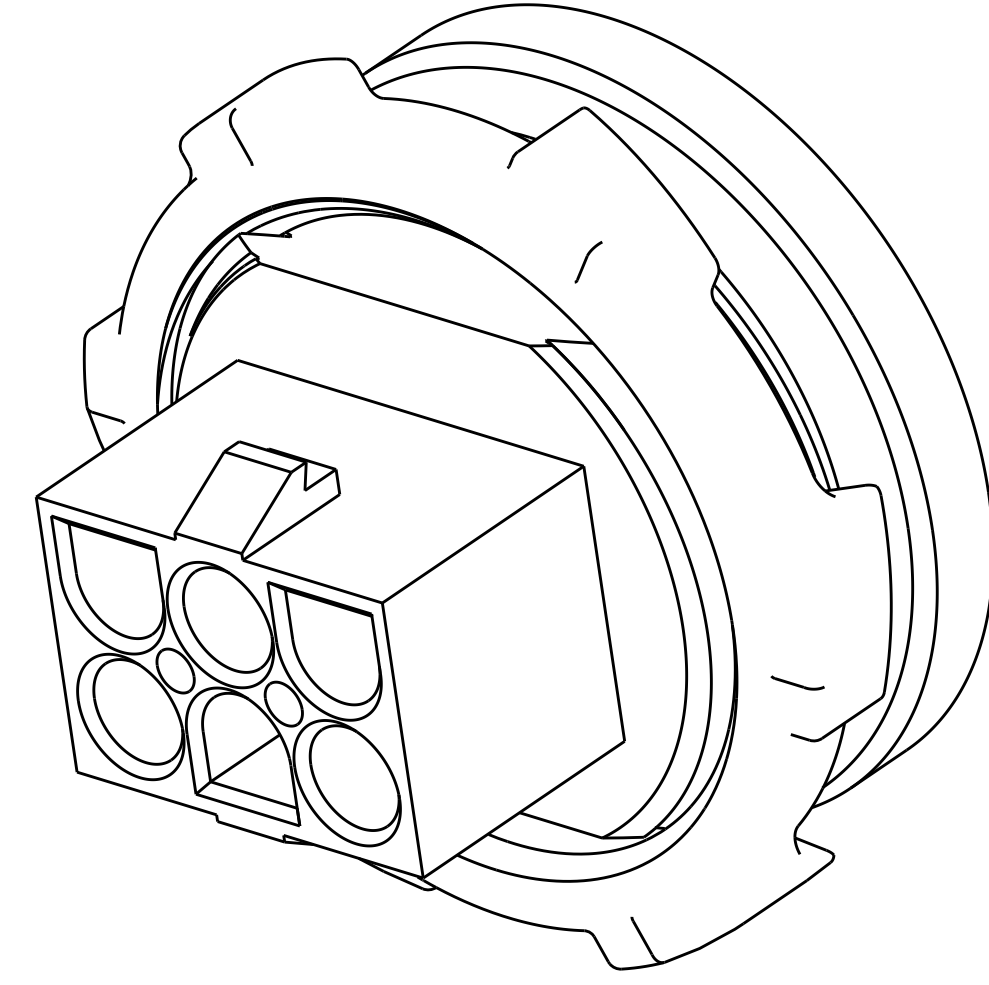
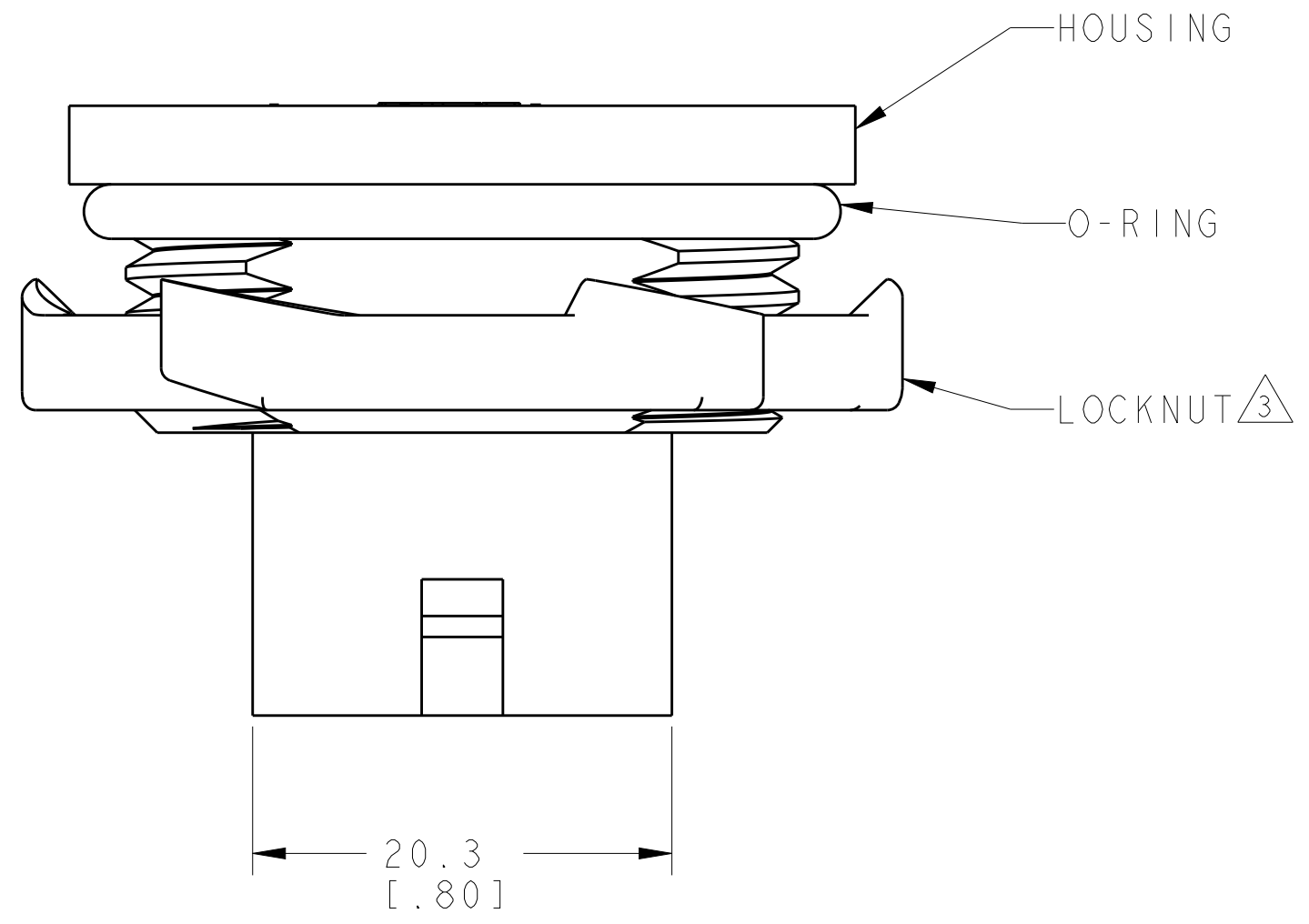
3

2

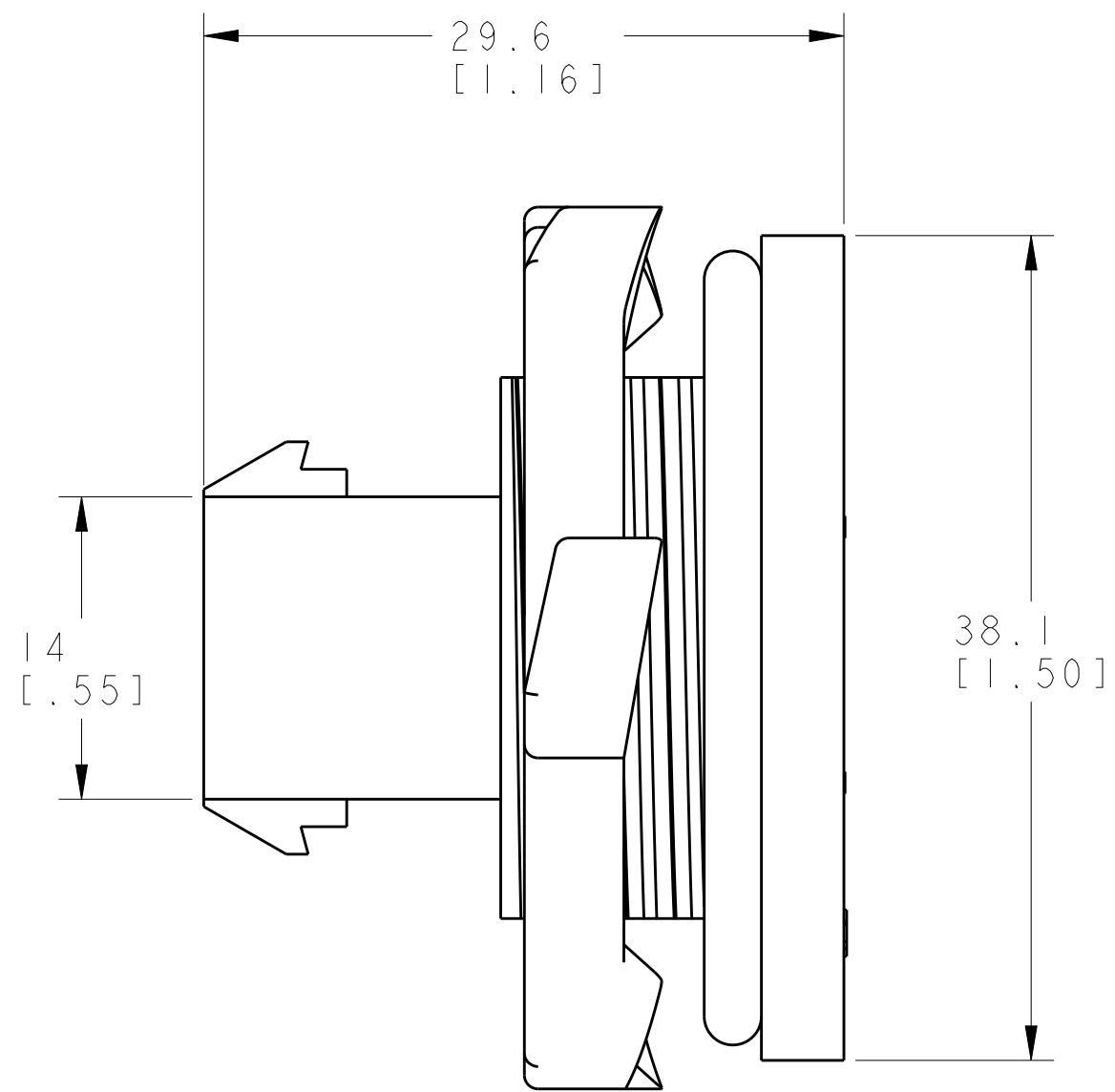
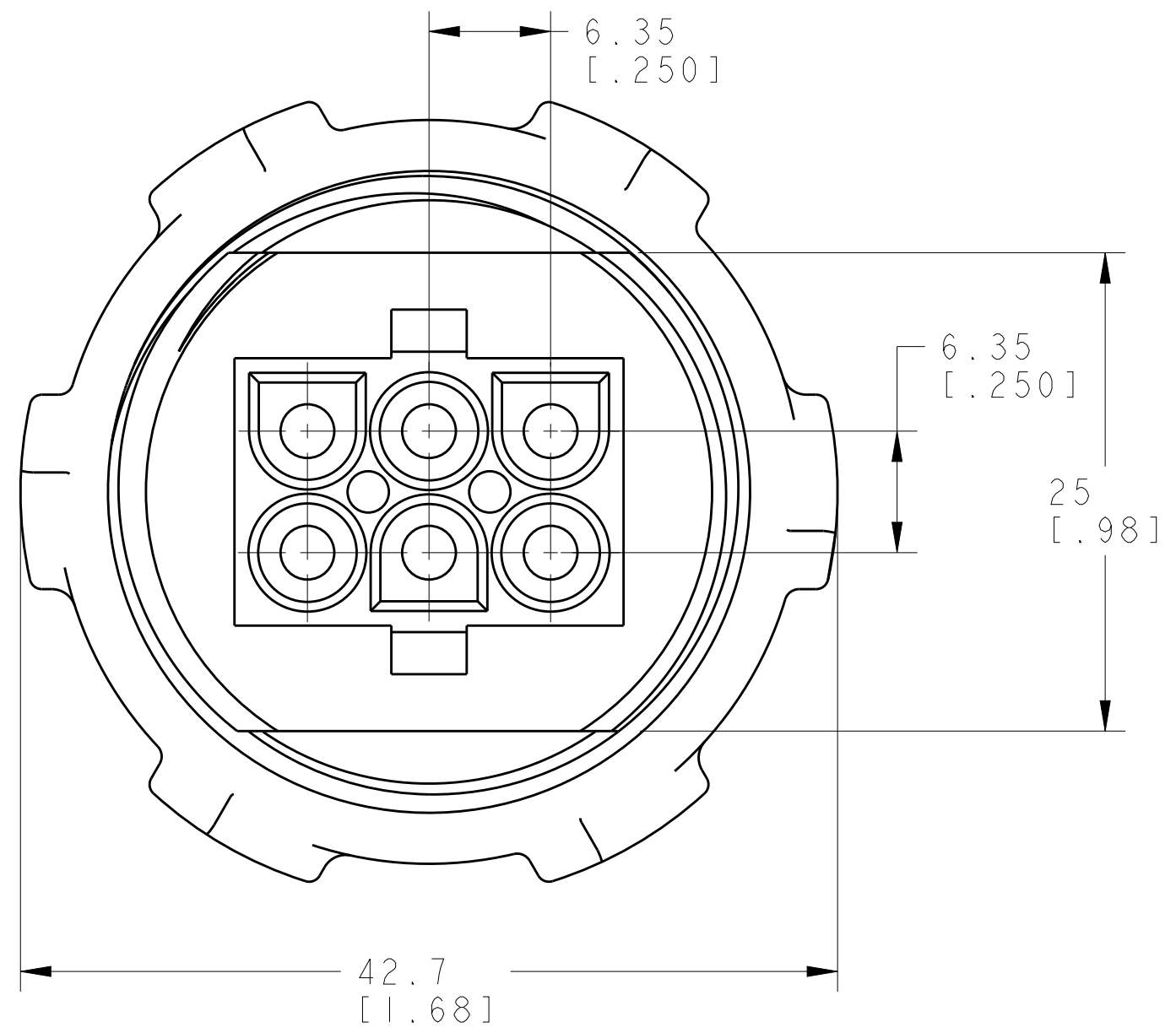
1

THIS DRAWING IS UNPUBLISHED. RELEASED FOR PUBLICATION 20
 © COPYRIGHT 20 BY - ALL RIGHTS RESERVED.

REVISIONS					
P	LTR	DESCRIPTION	DATE	DWN	APVD
	AI	REVISED PER ECR-17-015449	25OCT2017	BDA	KR



RECOMMENDED
PANEL CUT-OUT
SCALE 2:1



- $\triangle 1$ LOCKNUT; METAL
HOUSING; NYLON, FLAME RETARDANT,
UL94-VO.
O-RING; NEOPRENE
- $\triangle 2$ LOCKNUT; PLATED
- $\triangle 3$ LOCKNUT, SIX(6) OR EIGHT(8) SYMETRICAL
PLACED GRIP POINTS PERMISSIBLE.
- 4 DIMENSIONS SHOWN REPRESENT PRODUCT
IN DRY, AS MOLDED, CONDITION.
ADDITIONAL 2% GROWTH DUE TO SUBSEQUENT
MOISTURE ABSORPTION MAY OCCUR AND
SHOULD BE ACCOUNTED FOR.

1604210-1
PART NO

THIS DRAWING IS A CONTROLLED DOCUMENT.		DWN W J RUDY 14MAR2002	STE TE Connectivity	
DIMENSIONS: mm [INCHES]		CHK JHW 29APR2002		
TOLERANCES UNLESS OTHERWISE SPECIFIED:		APVD JHW 29APR2002	NAME BULKHEAD CONNECTOR ASSEMBLY, 6 CIRCUIT, UNIVERSAL MATE-N-LOK(TM)	
0 PLC ±		PRODUCT SPEC	SIZE CAGE CODE DRAWING NO	
1 PLC ±0.5 [.02]		APPLICATION SPEC	A200779 C-1604210	
2 PLC ±0.13 [.005]		WEIGHT	RESTRICTED TO	
3 PLC ±		CUSTOMER DRAWING	SCALE 3:1 SHEET OF REV AI	
4 PLC ±				
ANGLES ±				
FINISH $\triangle 2$				