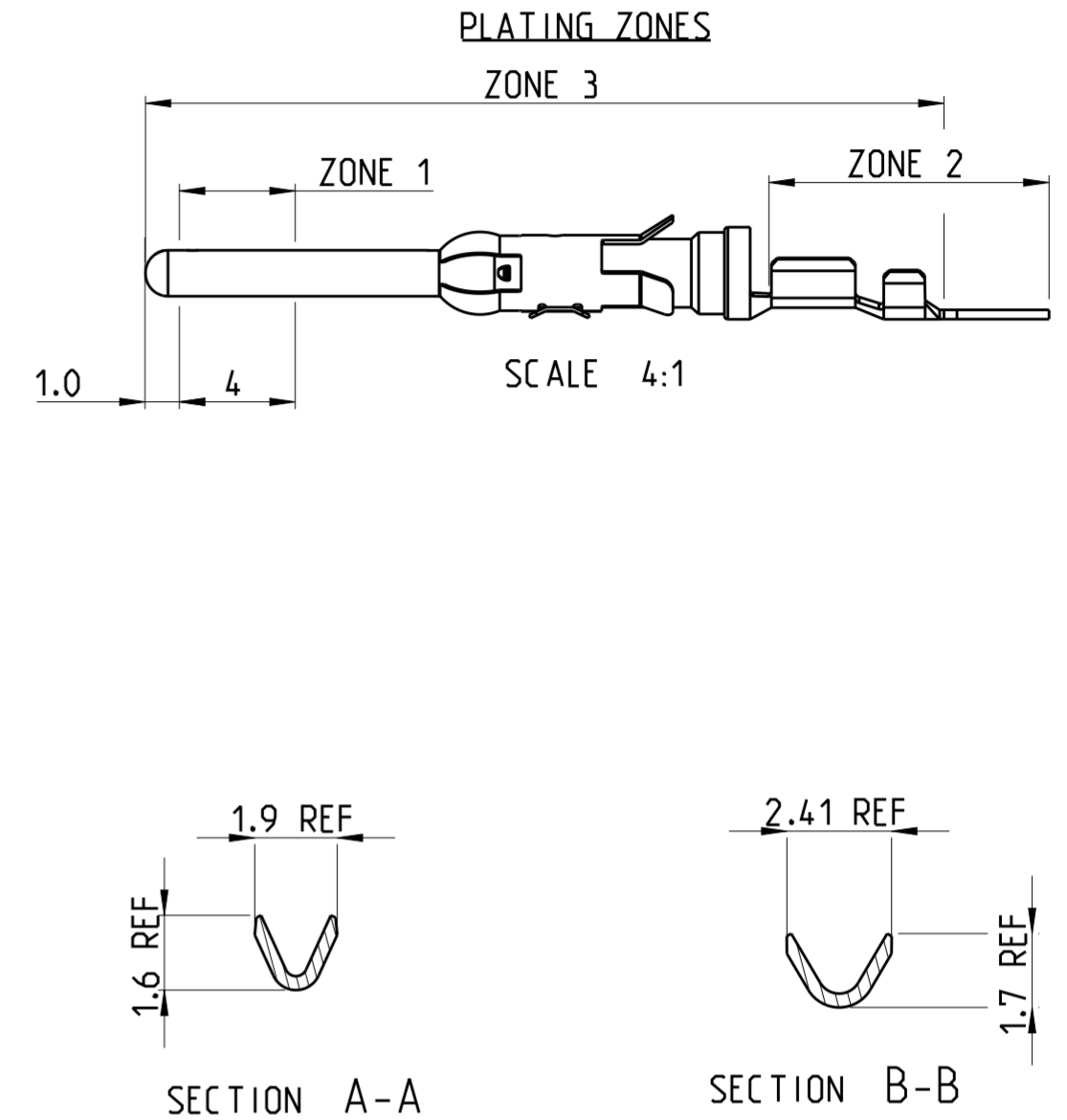
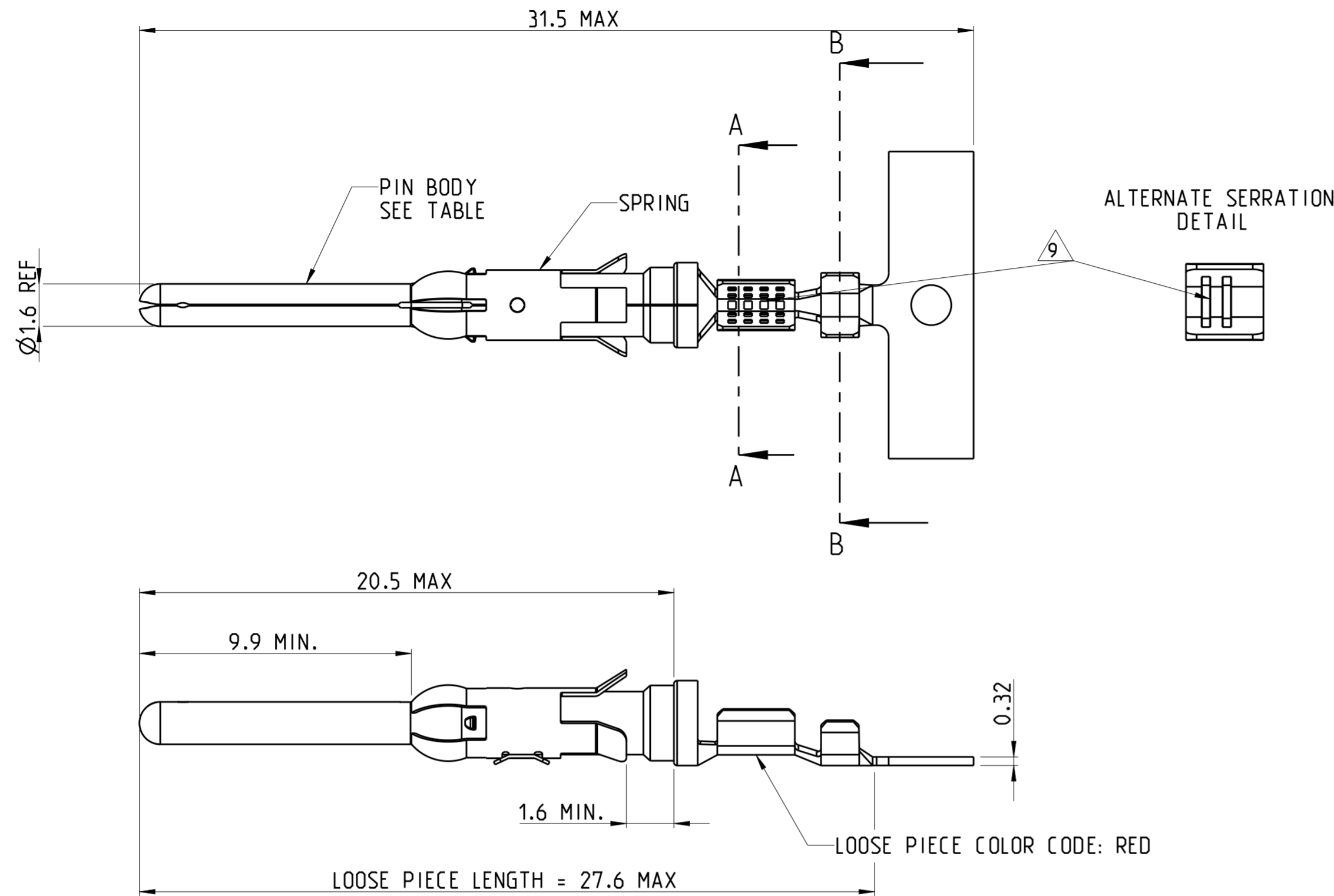


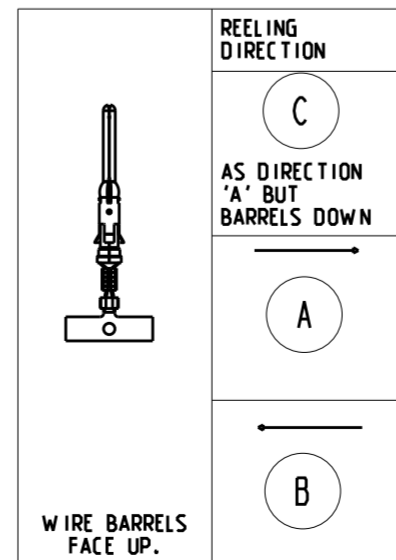
THIS DRAWING IS UNPUBLISHED. RELEASED FOR PUBLICATION 2011
 (C) COPYRIGHT 2011 ALL RIGHTS RESERVED.

LOC	DIST	REVISIONS					
		P	LTR	DESCRIPTION	DATE	DWN	APVD
B	-	AA1		COLOR CODE DETAILS ADDED	06FEB2014	TJ	JK
		AA2		ADDITION OF NOTE 13. TEXT "REF" DIM 1.9 & 2.41 IN ZONE C1 & C2. DIM 27.5 CHANGED TO 27.6 MAX IN ZONE B3	21JULY2015	TJ	PS
		AA3		PN 163089-4 AND 163089-5 OBSOLETE	03OCT2017	TJ	NG



NOTES

- 1 1.27 MICRON MIN NICKEL PLATE OVER ZONE 3.
0.76 MICRON MIN PRECIOUS METAL PLATE OVER ZONE 1.
1 MICRON MIN TIN PLATE OVER ZONE 2.
(CONFORMS TO THE REQUIREMENTS OF TE CONNECTIVITY PRODUCT SPEC 108-10042
BASED ON EIA/ECA-364-1000.01A (CONTROLLED ENVIRONMENT APPLICATIONS)
- 2 1.27 MICRON MIN NICKEL PLATE OVER ZONE 3.
0.76 MICRON MIN PRECIOUS METAL PLATE OVER ZONE 1.
0.076 MICRON MIN GOLD FLASH PLATE OVER THE REMAINDER OF ZONE 3.
(CONFORMS TO THE REQUIREMENTS OF TE CONNECTIVITY PRODUCT SPEC 108-10042
BASED ON EIA/ECA-364-1000.01A (CONTROLLED ENVIRONMENT APPLICATIONS)
- 3 1.54 - 2.54 MICRON SILVER PLATE OVER ZONE 3.
- 4 1.27 MICRONS MIN NICKEL PLATE OVER ZONE 3.
0.76 MICRON MIN GOLD PLATE OVER ZONE 1.
0.076 MICRON MIN GOLDFLASH PLATE OVER THE REMAINDER OF ZONE 3.
- 5 1.27 MICRONS MIN NICKEL PLATE OVER ZONE 3.
0.76 MICRONS MIN GOLD PLATE OVER ZONE 1.
1 MICRON MIN TIN PLATE OVER ZONE 2.
- 6 HOT-DIPPED PRETIN
- 7 1.27 MICRON MIN NICKEL PLATE OVER ZONE 3.
1 - 3 MICRONS ELECTRO-TIN PLATE OVER ZONE 3
- 8 0.76 MICRONS MIN NICKEL PLATE OVER ZONE 3 PER QQ-N-290
1.5 - 2.54 MICRONS SILVER PLATE OVER ZONE 3.
- 9 SERRATIONS CAN BE MULTILOCK OR TWO SLOTS
- 10. WIRE RANGE: 0.12-0.20 mm² (26-24 AWG)
- 11. INSULATION RANGE: 0.9-1.4 mm (.035-.055) DIA
- 12 LUBRICATE
- 13. OMISSION OF 6 CONTACTS MAX PER REEL OF 5000PCS.



THIS DRAWING IS A CONTROLLED DOCUMENT.

DIMENSIONS:	TOLERANCES UNLESS OTHERWISE SPECIFIED:
mm	0 PLC ±0.5
	1 PLC ±0.25
	2 PLC ±0.15
	3 PLC ±0.15
	4 PLC ±
	ANGLES ±2°
	FINISH
MATERIAL	SEE TABLE

REELING	FINISH	SPRING MATERIAL	PIN BODY	LOOSE PIECE	PART NUMBER
A	12	7	STAINLESS STEEL	BRASS	1-163089-3
A	1		STAINLESS STEEL	BRASS	1-163089-1
B	1		STAINLESS STEEL	BRASS	1-163090-0
A	7		STAINLESS STEEL	BRASS	163090-1
A	2		STAINLESS STEEL	BRASS	163090-2
B	7		STAINLESS STEEL	BRASS	163089-1

DWN	J. BRIGHT	26/03/12	 TE Connectivity	NAME TYPE III+, SIZE 16, PIN ASS'Y 26-24 AWG, 0.9-1.4mm DIA INSULATION		
CHK	M. GREENER	26/03/12				
APVD	D. PENNINGTON	26/03/12				
PRODUCT SPEC	108-10042					
APPLICATION SPEC	114-10004		SIZE	CAGE CODE	DRAWING NO	RESTRICTED TO
WEIGHT	-		A2	00779	G-163089	-
CUSTOMER DRAWING			SCALE	NTS	SHEET	1 OF 1