

THIS DRAWING IS UNPUBLISHED.

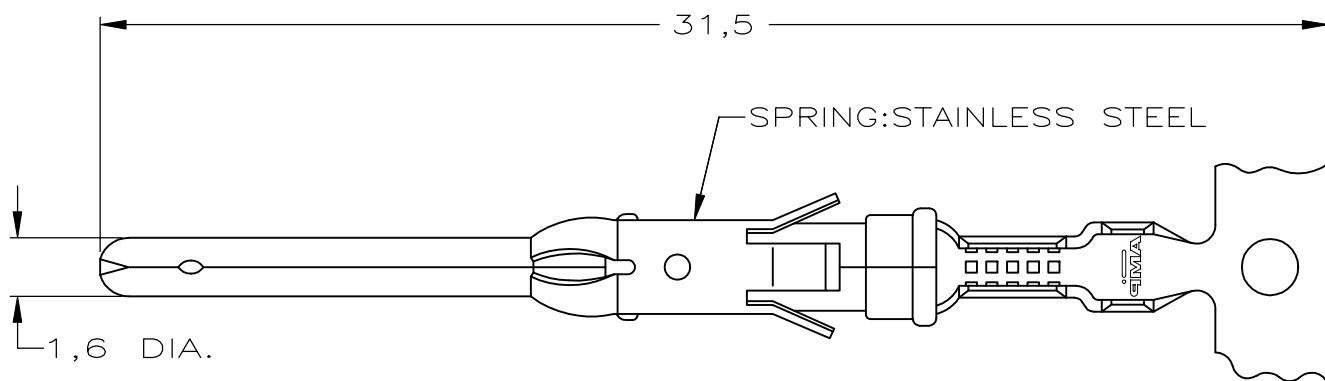
RELEASED FOR PUBLICATION

ALL RIGHTS RESERVED.

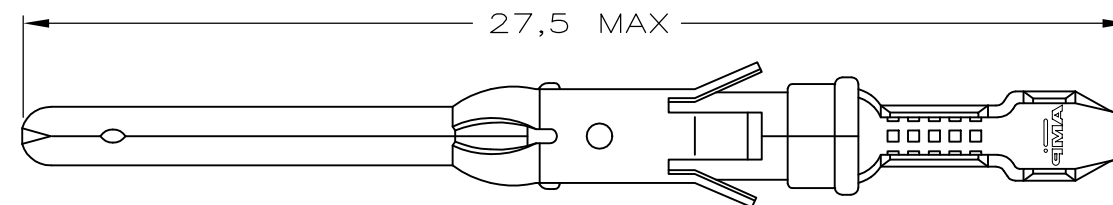
© COPYRIGHT - By -

REVISIONS

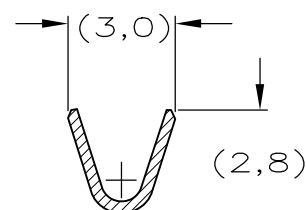
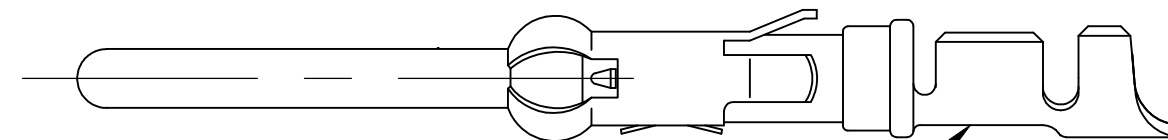
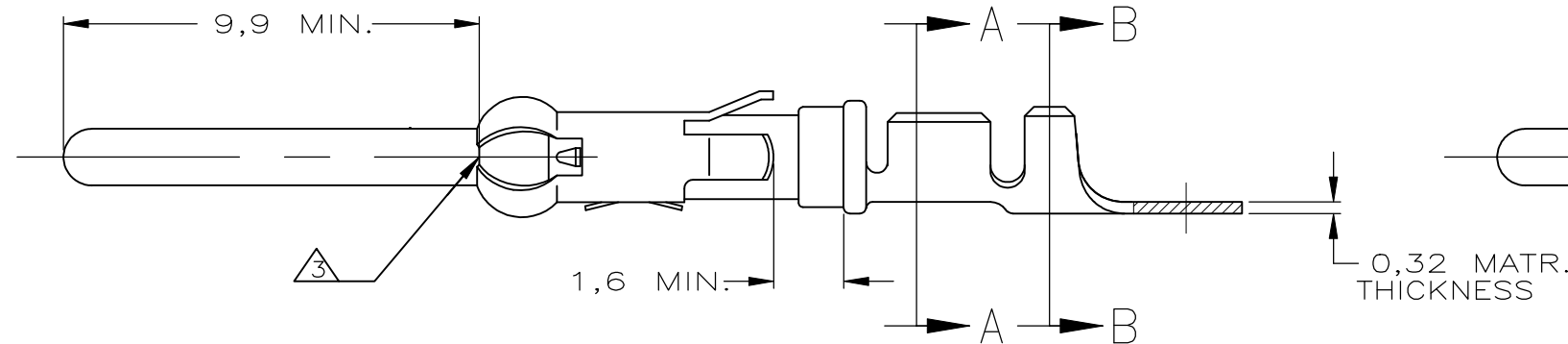
P	LTR	DESCRIPTION	DATE	DWN	APVD
	G3	PN 163766-4 DISCONTINUED	21JULY2015	TJ	PS
	G4	REVISED PER ECO-18-010674	06JUL2018	RS	MZ



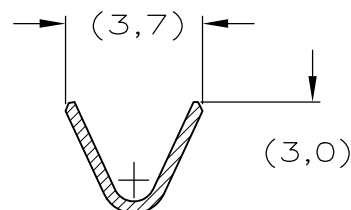
STRIP



LOOSE-PIECE



SECTION A-A

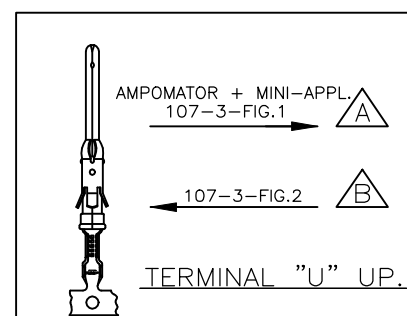


SECTION B-B

WIRE RANGE : 0,75-1,50 mm<sup>2</sup> (18-16 AWG)  
 INSUL. RANGE : 2,0 -2,5 mm (.080-.100)

NOTES :

- 1 FOR CRIMP DETAILS SEE SPEC. 114-19.000.
- 2 MEETS PRODUCT SPECIFICATION 108-10042.
- 3 0,40 MAX. GAP BETWEEN SPRING-NOSE AND CONTACT BODY.
- △4 OBSOLETE PARTS: OBSOLETE CIS STREAMLINING PER D.RENAUD/D.SINISI
- 5 OMISSION OF 6 CONTACTS MAX PER REEL OF 5000PCS.
- △6 OBSOLETE PART

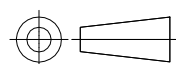


△4	△6	△4	△6	△4	△6	△20	△2	△28	△22	△20				
163766-5	163766-4	163766-3	163766-2	163766-1	164839-4	164839-3	164839-2	164839-1	PH.BRONZE	EL.TIN	ECON.GOLD	SILVER	SEL.GOLD	EL.TIN
PART NUMBER					DIRECTION OF REEL		LOOSE-PIECE	MATERIAL	PLATING					

NOTES	MATERIAL	THICKNESS	AREA
△20	TIN	2,0 μm	ALL OVER
△21	NICKEL GOLD TIN	0,8 μm	ALL OVER CONTACT AREA BARREL
△22	NICKEL GOLD GOLD	0,8 μm	ALL OVER CONTACT AREA ALL OVER
△23	NICKEL GOLD GOLD	1,2 μm	ALL OVER CONTACT AREA ALL OVER
△27	NICKEL SILVER TIN	2,5 μm	ALL OVER CONTACT AREA BARREL
△28	SILVER	0,5 μm	ALL OVER
△29	SILVER	2,5 μm	ALL OVER

THIS DRAWING IS A CONTROLLED DOCUMENT.

DIMENSIONS: mm



TOLERANCES UNLESS OTHERWISE SPECIFIED:

0 PLC	± -
1 PLC	± -
2 PLC	± -
3 PLC	± -
4 PLC	± -
ANGLES	± -

MATERIAL

FINISH

DWN 19.08.1987  
 L.V.D.HYDEN  
 CHK P.V.D.HAGEN  
 APVD L.V.SOEST  
 PRODUCT SPEC  
 108-10042  
 APPLICATION SPEC  
 114-19000  
 WEIGHT



NAME  
 TYPE III+, SIZE 16, PIN ASS'Y,  
 18-16 AWG, 2.0-2.5mm DIA INSULATION

SIZE	CAGE CODE	DRAWING NO	RESTRICTED TO
A3	00779	C-163766	-

CUSTOMER DRAWING SCALE - SHEET 1 of 1 REV G4