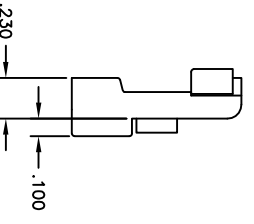
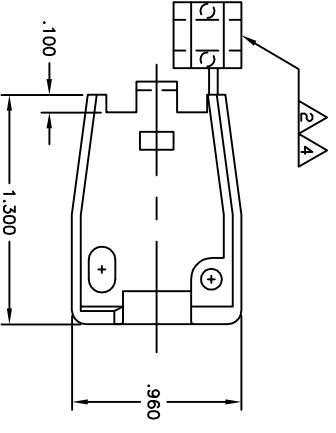
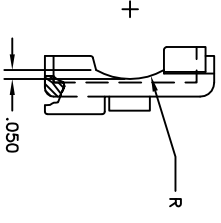
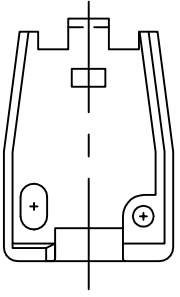


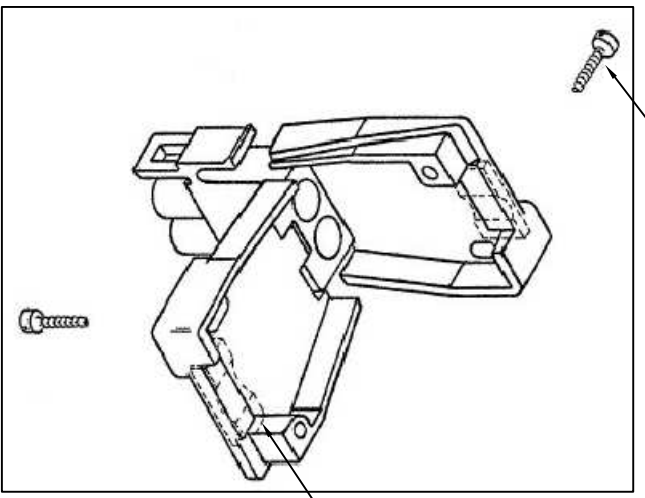
- 1 SHEET METAL SCREWS NOT SUPPLIED
- 2 INSERT IS ATTACHED TO STRAIN RELIEF, AS AN ADDITIONAL ADJUSTMENT FOR SMALL WIRE BUNDLES, IT SHOULD BE CUT-OFF AND POSITIONED AS SHOWN BY DOTTED LINES.
- 3 TWO REQUIRED PER CONNECTOR
- 4 STYLE 2 DOES NOT INCLUDE INSERT.
- 5 DETACHABLE INSERT MAY SEPARATE FROM STRAIN RELIEF BODY DURING SHIPPING.



STYLE 1



STYLE 2



(2 REQ'D) #6 X .375 LONG, TYPE '8' PAN HEAD SHEET METAL SCREW

REV	DATE	DESCRIPTION	BY	CHK	APP
D1		REMOVED PER ESR-13-017009		31OCT13	JR TML

DIMENSIONS: INCHES		DIMENSIONS: MILLIMETERS	
0 P/C	1 P/C	0 P/C	1 P/C
2 P/C	3 P/C	2 P/C	3 P/C
4 P/C	5 P/C	4 P/C	5 P/C
6 P/C	7 P/C	6 P/C	7 P/C
8 P/C	9 P/C	8 P/C	9 P/C
10 P/C	11 P/C	10 P/C	11 P/C
12 P/C	13 P/C	12 P/C	13 P/C
14 P/C	15 P/C	14 P/C	15 P/C
16 P/C	17 P/C	16 P/C	17 P/C
18 P/C	19 P/C	18 P/C	19 P/C
20 P/C	21 P/C	20 P/C	21 P/C
22 P/C	23 P/C	22 P/C	23 P/C
24 P/C	25 P/C	24 P/C	25 P/C
26 P/C	27 P/C	26 P/C	27 P/C
28 P/C	29 P/C	28 P/C	29 P/C
30 P/C	31 P/C	30 P/C	31 P/C
32 P/C	33 P/C	32 P/C	33 P/C
34 P/C	35 P/C	34 P/C	35 P/C
36 P/C	37 P/C	36 P/C	37 P/C
38 P/C	39 P/C	38 P/C	39 P/C
40 P/C	41 P/C	40 P/C	41 P/C
42 P/C	43 P/C	42 P/C	43 P/C
44 P/C	45 P/C	44 P/C	45 P/C
46 P/C	47 P/C	46 P/C	47 P/C
48 P/C	49 P/C	48 P/C	49 P/C
50 P/C	51 P/C	50 P/C	51 P/C
52 P/C	53 P/C	52 P/C	53 P/C
54 P/C	55 P/C	54 P/C	55 P/C
56 P/C	57 P/C	56 P/C	57 P/C
58 P/C	59 P/C	58 P/C	59 P/C
60 P/C	61 P/C	60 P/C	61 P/C
62 P/C	63 P/C	62 P/C	63 P/C
64 P/C	65 P/C	64 P/C	65 P/C
66 P/C	67 P/C	66 P/C	67 P/C
68 P/C	69 P/C	68 P/C	69 P/C
70 P/C	71 P/C	70 P/C	71 P/C
72 P/C	73 P/C	72 P/C	73 P/C
74 P/C	75 P/C	74 P/C	75 P/C
76 P/C	77 P/C	76 P/C	77 P/C
78 P/C	79 P/C	78 P/C	79 P/C
80 P/C	81 P/C	80 P/C	81 P/C
82 P/C	83 P/C	82 P/C	83 P/C
84 P/C	85 P/C	84 P/C	85 P/C
86 P/C	87 P/C	86 P/C	87 P/C
88 P/C	89 P/C	88 P/C	89 P/C
90 P/C	91 P/C	90 P/C	91 P/C
92 P/C	93 P/C	92 P/C	93 P/C
94 P/C	95 P/C	94 P/C	95 P/C
96 P/C	97 P/C	96 P/C	97 P/C
98 P/C	99 P/C	98 P/C	99 P/C
100 P/C	101 P/C	100 P/C	101 P/C