

THIS DRAWING IS UNPUBLISHED.		RELEASED FOR PUBLICATION		EC	LOC	DIST	REVISIONS					
© COPYRIGHT - By -		ALL RIGHTS RESERVED.		-	-	-	P	LTR	DESCRIPTION	DATE	DWN	APVD
								B	REVISED PER ECR-18-016655	22OCT2018	ML	SZ

5. ITEMS PROVIDED TO THIS SPECIFICATION TO BE PERMANENTLY IDENTIFIED PER THE FOLLOWING IDENTIFIER:

TE CONNECTIVITY PART NUMBER DATE CODE (e.g. 0625) YEAR WEEK
 XXXXXXXX-X XXXX

4. ALL DIMENSIONS SHOWN ACROSS A CENTERLINE (∅) SHALL BE CENTRALIZED WITHIN THE TOLERANCE INDICATED FOR THAT DIMENSION.

3. FINISHES:
 CROWN HOLDER: GOLD PLATED, .000030 MIN THICK WITH OVERALL GOLD FLASH
 OVER NICKEL PLATED, .000040 MIN THICK

2. MATERIALS:
 INSULATOR: THERMOPLASTIC, GLASS REINFORCED, UL94V-0 FLAMMABILITY RATED, COLOR-BLACK
 CROWN HOLDER: COPPER ALLOY
 CROWN BAND: COPPER ALLOY
 MATING BLADE: COPPER ALLOY WITH GOLD ON NICKEL PLATED

1. PART NUMBER CHANGES AND OR DESIGN CHANGES AFFECTING ITEM INTERCHANGEABILITY REQUIRE PRIOR ELCON APPROVAL AND AUTHORIZATION BY REVISION TO THIS DRAWING.

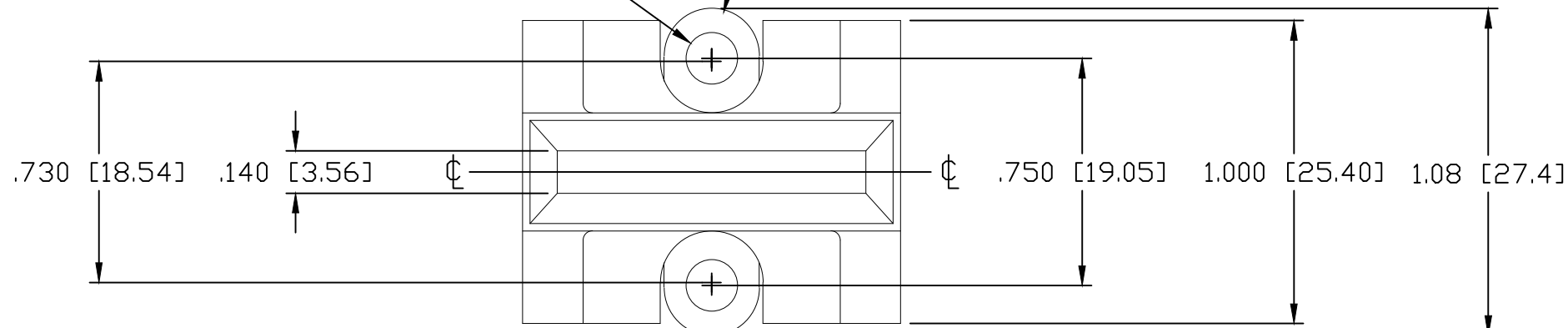
NOTES: UNLESS OTHERWISE SPECIFIED

1643906-1	AS SHOWN
PART NUMBER	DESCRIPTION

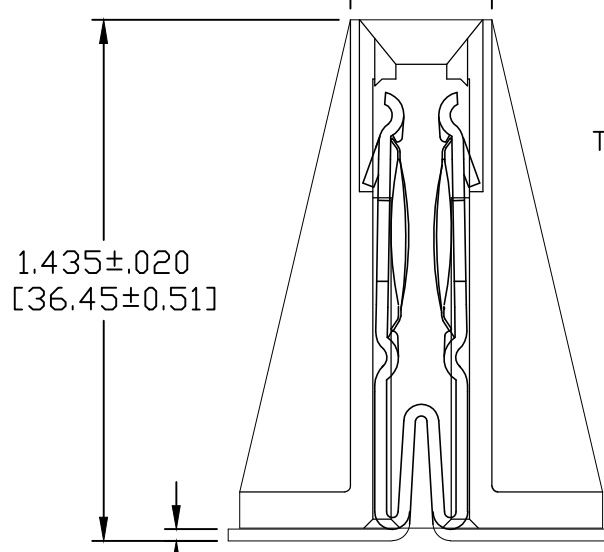
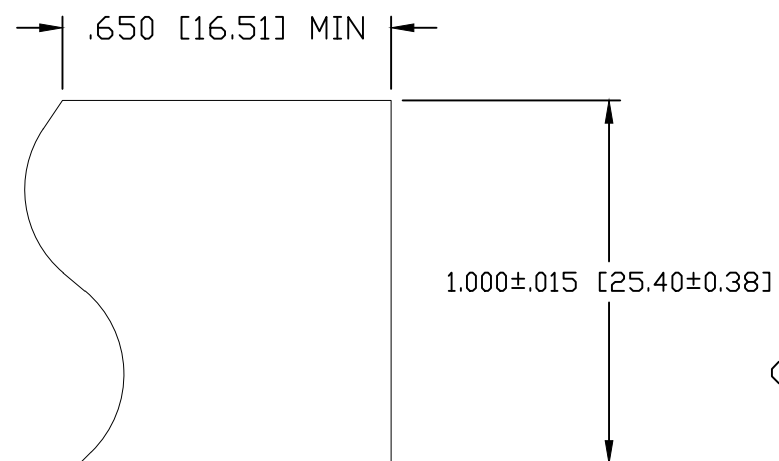
THIS DRAWING IS A CONTROLLED DOCUMENT.		DWN	02/25/06		STE TE Connectivity		
		HA NGUYEN					
DIMENSIONS: INCH(MM)		CHK	-		NAME CROWN CLIP SENIOR SOCKET POWER CONNECTOR SINGLE POLE APPLICATION		
TOLERANCES UNLESS OTHERWISE SPECIFIED:		APVD	02/25/06				
0 PLC ± -		STEVE FLICKINGER		PRODUCT SPEC 108-128066			
1 PLC ± -		APPLICATION SPEC					
2 PLC ± 0.02(0.3)		114-128068		SIZE A3			
3 PLC ± 0.010(0.25)		WEIGHT					CAGE CODE 00779
4 PLC ± -		-		DRAWING NO C-1643906		RESTRICTED TO -	
ANGLES ± 0.5°		CUSTOMER DRAWING		SCALE 2:1			
MATERIAL		FINISH		SHEET 1 OF 2		REV B	

2X ϕ .170 [ϕ 4.32]
 (CLEARANCE FOR
 #8 OR M4 SCREW)

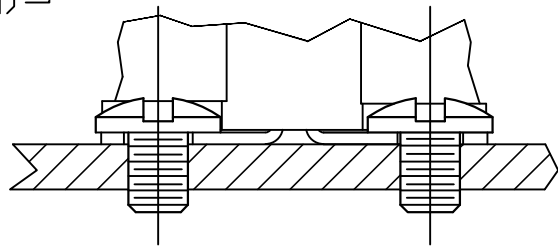
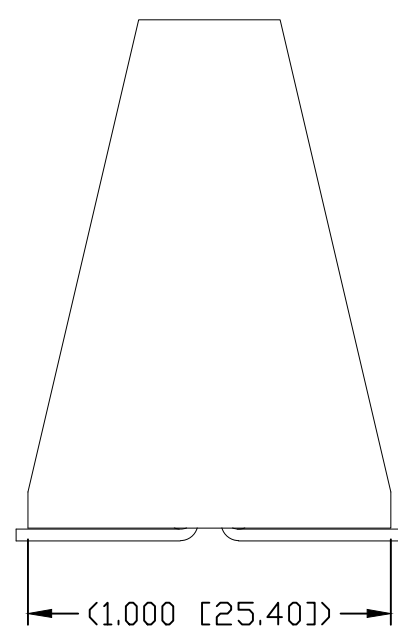
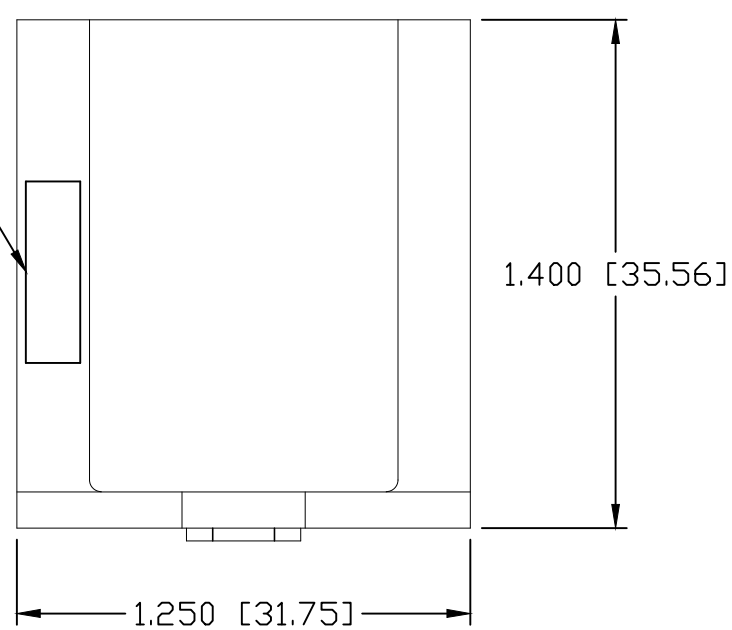
2X R.157 [R3.99]



.390 [9.91] 2X .340 [8.64]



TE LOGO



BACKPLANE ATTACHMENT

SCREWS ARE SHOWN FOR REFERENCE ONLY

RECOMMENDED MATING BLADE

THIS DRAWING IS A CONTROLLED DOCUMENT.		DWN HA NGUYEN 02/25/06	STE TE Connectivity			
DIMENSIONS: INCH(MM)		CHK -				
TOLERANCES UNLESS OTHERWISE SPECIFIED: 0 PLC ± - 1 PLC ± - 2 PLC ± 0.02(0.3) 3 PLC ± 0.010(0.25) 4 PLC ± - ANGLES ± 0.5°		APVD STEVE FLICKINGER 02/25/06	NAME CROWN CLIP SENIOR SOCKET POWER CONNECTOR SINGLE POLE APPLICATION			
		PRODUCT SPEC 108-128066	SIZE A3			
MATERIAL -		FINISH -	APPLICATION SPEC 114-128068	CAGE CODE 00779	DRAWING NO C-1643906	RESTRICTED TO -
CUSTOMER DRAWING			WEIGHT -	SCALE 2:1	SHEET 2 OF 2	REV B