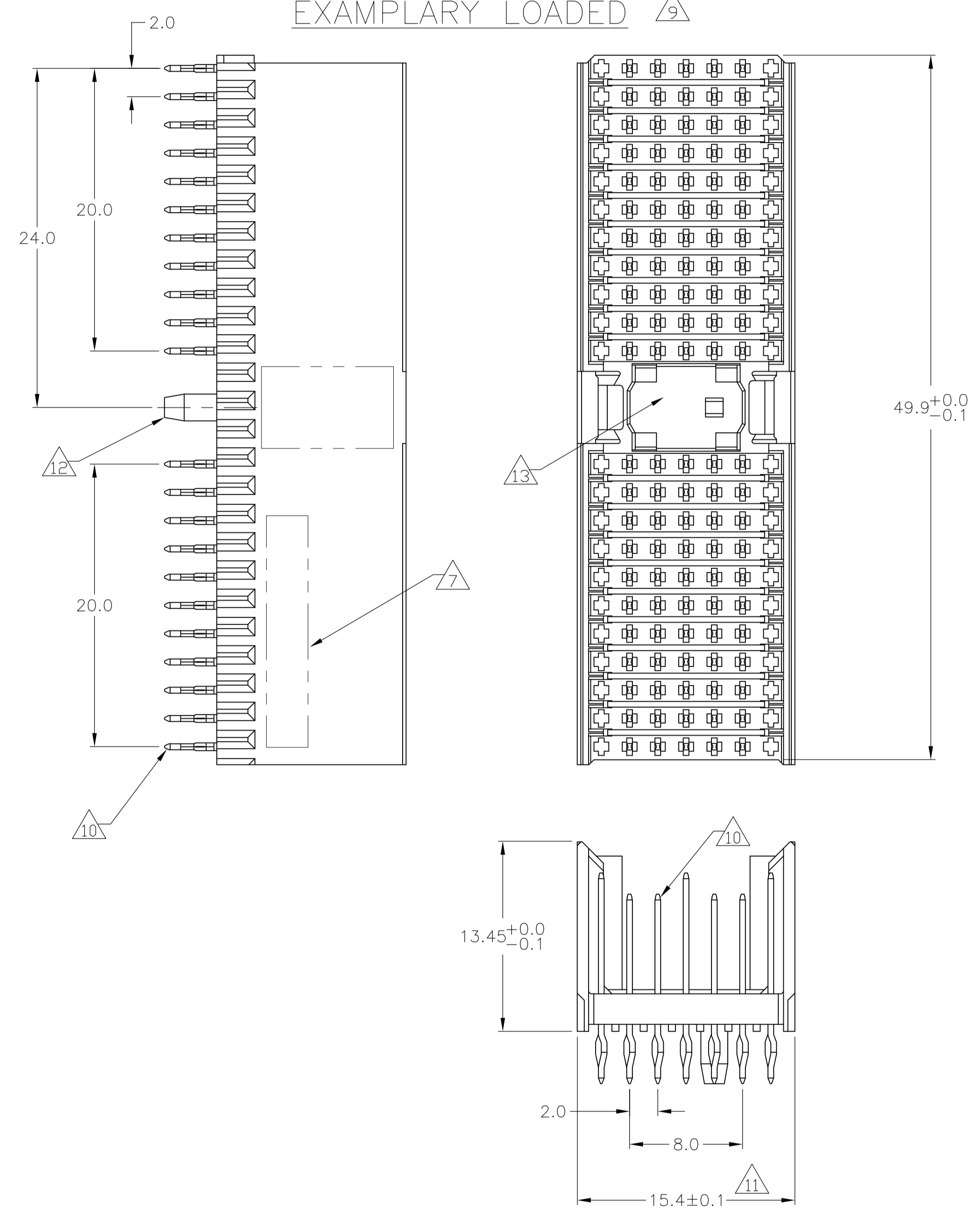
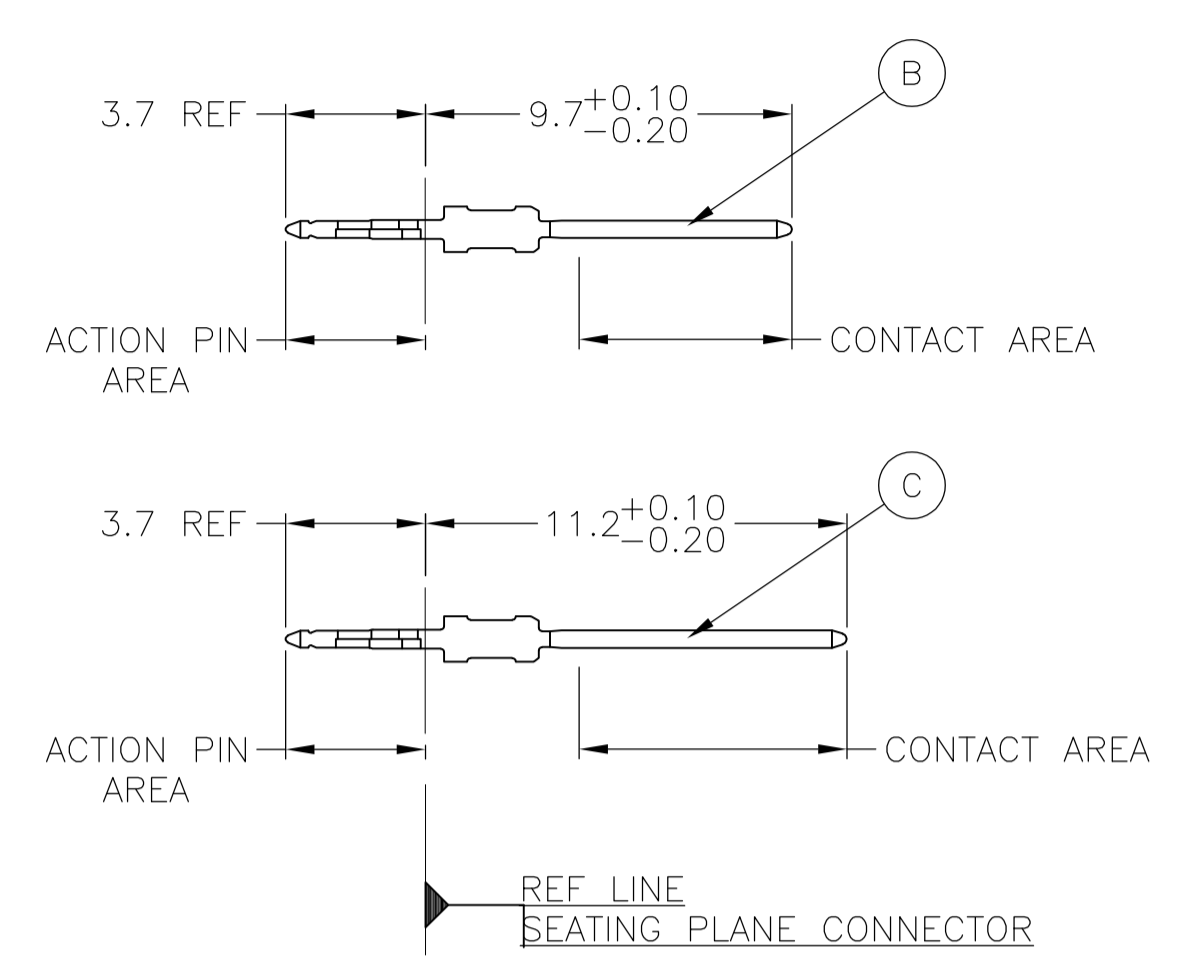


LOC		DIST		REVISIONS			
AD	00	REV	DATE	BY	CHK	APPV	
A1		REVISED PER ECO-08-006195	10MAR08	DH	JE		
B		ECR-10-019054	15SEP10	DP	MQW		

CONNECTOR ASSEMBLY EXAMPLARY LOADED



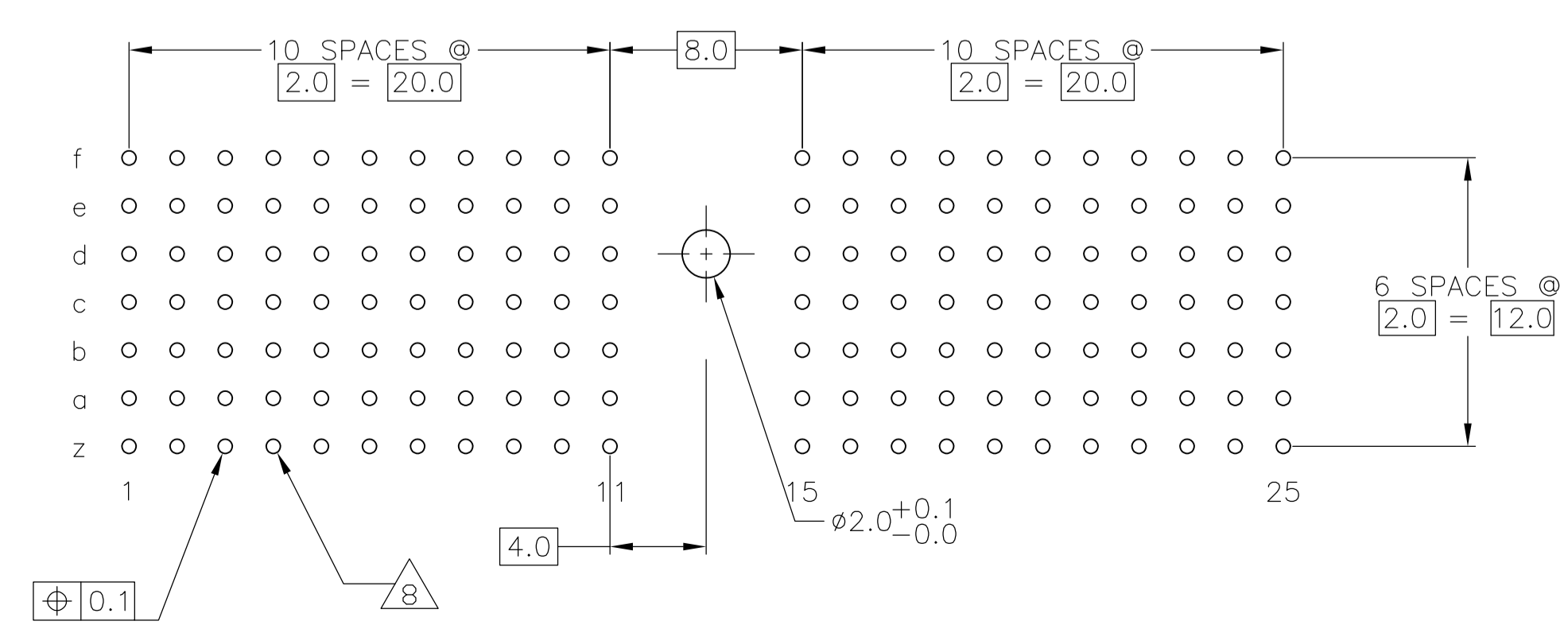
CONTACT DIMENSIONS SCALE 5:1



CONTACT LAYOUT

	z	a	b	c	d	e	f
1	C	B	B	C	B	B	C
2	C	B	B	C	B	B	C
3	C	B	B	C	B	B	C
4	C	B	B	C	B	B	C
5	C	B	B	C	B	B	C
6	C	B	B	C	B	B	C
7	C	B	B	C	B	B	C
8	C	B	B	C	B	B	C
9	C	B	B	C	B	B	C
10	C	B	B	C	B	B	C
11	C	B	B	C	B	B	C
MULTI PURPOSE CENTER							
15	C	B	B	C	B	B	C
16	C	B	B	C	B	B	C
17	C	B	B	C	B	B	C
18	C	B	B	C	B	B	C
19	C	B	B	C	B	B	C
20	C	B	B	C	B	B	C
21	C	B	B	C	B	B	C
22	C	B	B	C	B	B	C
23	C	B	B	C	B	B	C
24	C	B	B	C	B	B	C
25	C	B	B	C	B	B	C

RECOMMENDED PCB-HOLE LAYOUT COMPONENT SIDE SHOWN



PLATED THRU HOLES PARAMETERS REFERENCE APPLICATION SPECIFICATION

2	6	14	1-1645436-9
2	5	14	1645436-9
2	4		1645436-4
2	3		1645436-1
FINISH			PART NUMBER

THIS DRAWING IS A CONTROLLED DOCUMENT.		DIN D. HUMBERT 21JAN08	Tyco Electronics Corporation Harrisburg, Pa 17105-3608	
DIMENSIONS: mm	TOLERANCES UNLESS OTHERWISE SPECIFIED:	CHK J. FARY 21JAN2008	NAME	MALE ASSEMBLY, Z-PACK 2mm HM, TYPE A
0-PLC ±	1-PLC ±0.1	APVD J. FARY 21JAN2008	PRODUCT SPEC	108-19082
2-PLC ±	3-PLC ±		APPLICATION SPEC	114-19029
4-PLC ±	ANGLES		SIZE	A1
MATERIAL	FINISH SEE TABLE	WEIGHT	CAGE CODE	DRAWING NO
			00779	1645436
			CUSTOMER DRAWING	SCALE 4:1 SHEET 1 OF 2 REV B

LOC		DIST		REVISIONS			
P	LTR	DESCRIPTION	DATE	DN	APVD		
AD	00	SEE SHEET 1					

- 1 MATERIAL:
CONTACT: PHOSPHOR BRONZE.
HOUSING: GLASS-FILLED POLYESTER.
- 2 GENERAL PLATING SPECIFICATION: UNDERPLATING
(ENTIRE CONTACT): 1.27µm MIN NICKEL AND ACTION
PIN: 0.5µm MIN TIN/LEAD.
FOR PLATING OF MATING SURFACES SEE APPLICABLE
SPECIFICATION REFERENCE FOR EACH DASH NUMBER.
- 3 CONFORMS TO ALL TESTING ACCORDING TO IEC 61076-4-101
PERFORMANCE LEVEL 2.
- 4 CONFORMS TO ALL TESTING ACCORDING TO IEC 61076-4-101
PERFORMANCE LEVEL 1.
- 5 CONNECTOR TESTED AND QUALIFIED AGAINST TELCORDIA GR-1217-CORE QUALITY LEVEL 3,
CENTRAL OFFICE APPLICATIONS.
- 6 CONNECTOR TESTED AND QUALIFIED AGAINST TELCORDIA GR-1217-CORE QUALITY LEVEL 3,
UNCONTROLLED ENVIROMENT APPLICATIONS.
- 7 CONNECTOR MARKED WITH PART NUMBER AND DATE CODE.
ADDITIONAL CHARACTERS OR MARKINGS, AS WELL AS THE LOCATION OF THE MARKINGS,
MAY BE ADDED FOR TRACEABILITY BASED UPON MANUFACTURERS DISCRETION.
- 8 PLATED-THROUGH HOLES AT 2x2mm SQUARE GRID
PATTERN DEFINED BY CONTACT LAYOUT.
- 9 FOR ACTUAL PIN LOADING SEE "CONTACT LAYOUT".
- 10 FOR ACTUAL PIN DIMENSIONS SEE "CONTACT DIMENSIONS".
- 11 TO BE MEASURED AT BOTTOM OF SHROUD.
- 12 POLARIZATION FEATURE.
- 13 AREA RESERVED FOR KEYING PART (BASIC P/N 100525)
- 14 CONNECTOR LUBRICATED WITH BELCORE APPROVED LUBRICANT,
TECHNICAL REFERENCE: TR-NWT-001217 ISSUE 1, SEP 1992.

THIS DRAWING IS A CONTROLLED DOCUMENT.		DIN D. HUMBERT 21JAN08		Tyco Electronics Corporation Harrisburg, Pa 17105-3608	
DIMENSIONS: mm		TOLERANCES UNLESS OTHERWISE SPECIFIED: 0-PLC ± 1-PLC ± 0.1 2-PLC ± 3-PLC ± 4-PLC ± ANGLES		APVD J. FARY 21JAN2008	
		±0.2		NAME 108-19082	
MATERIAL SEE SHEET 1		FINISH SEE SHEET 1		PRODUCT SPEC APPLICATION SPEC 114-19029	
		WEIGHT		SIZE CAGE CODE DRAWING NO A1 00779 C=1645436	
		CUSTOMER DRAWING		RESTRICTED TO SCALE 4:1 SHEET 2 OF 2 REV B	