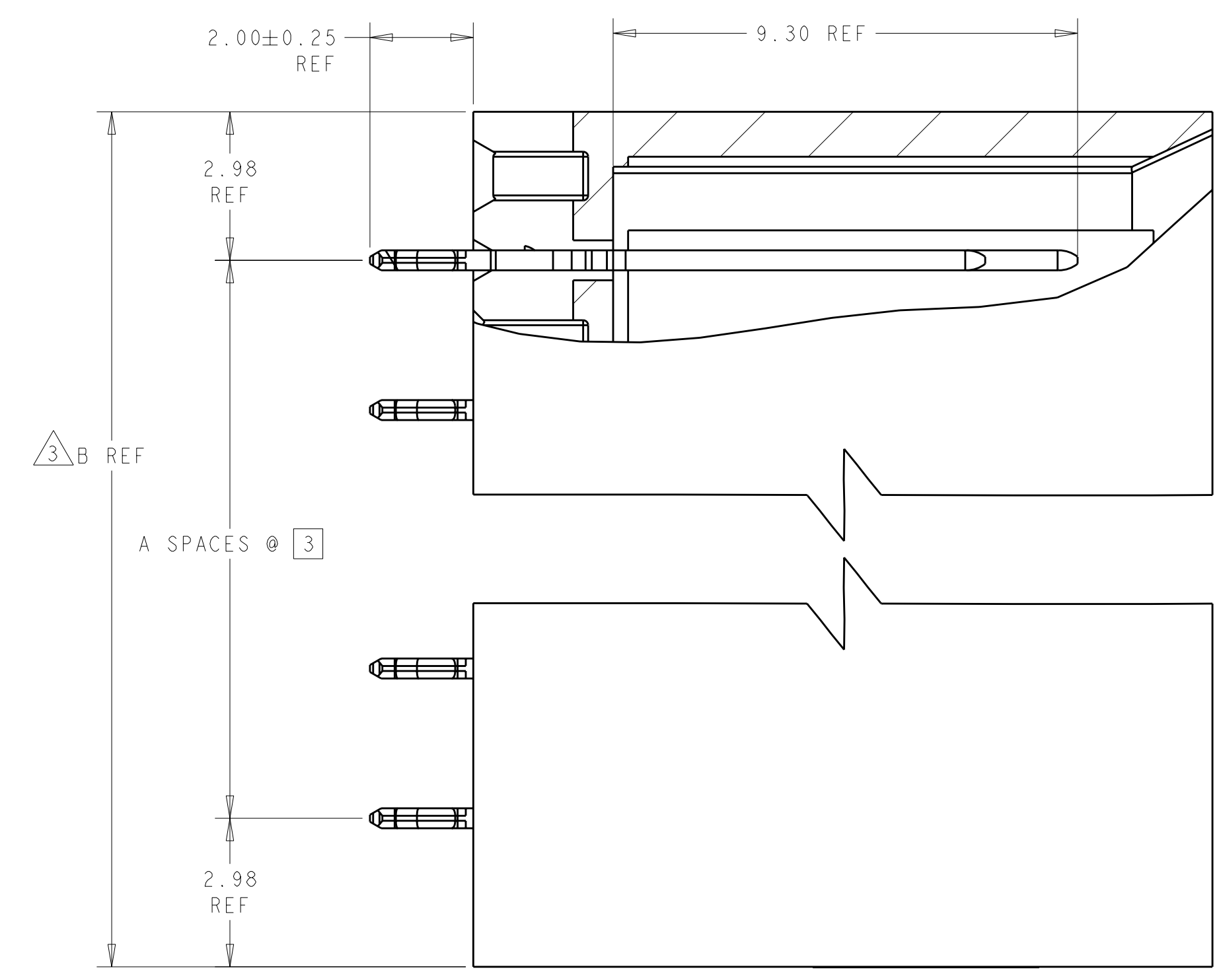
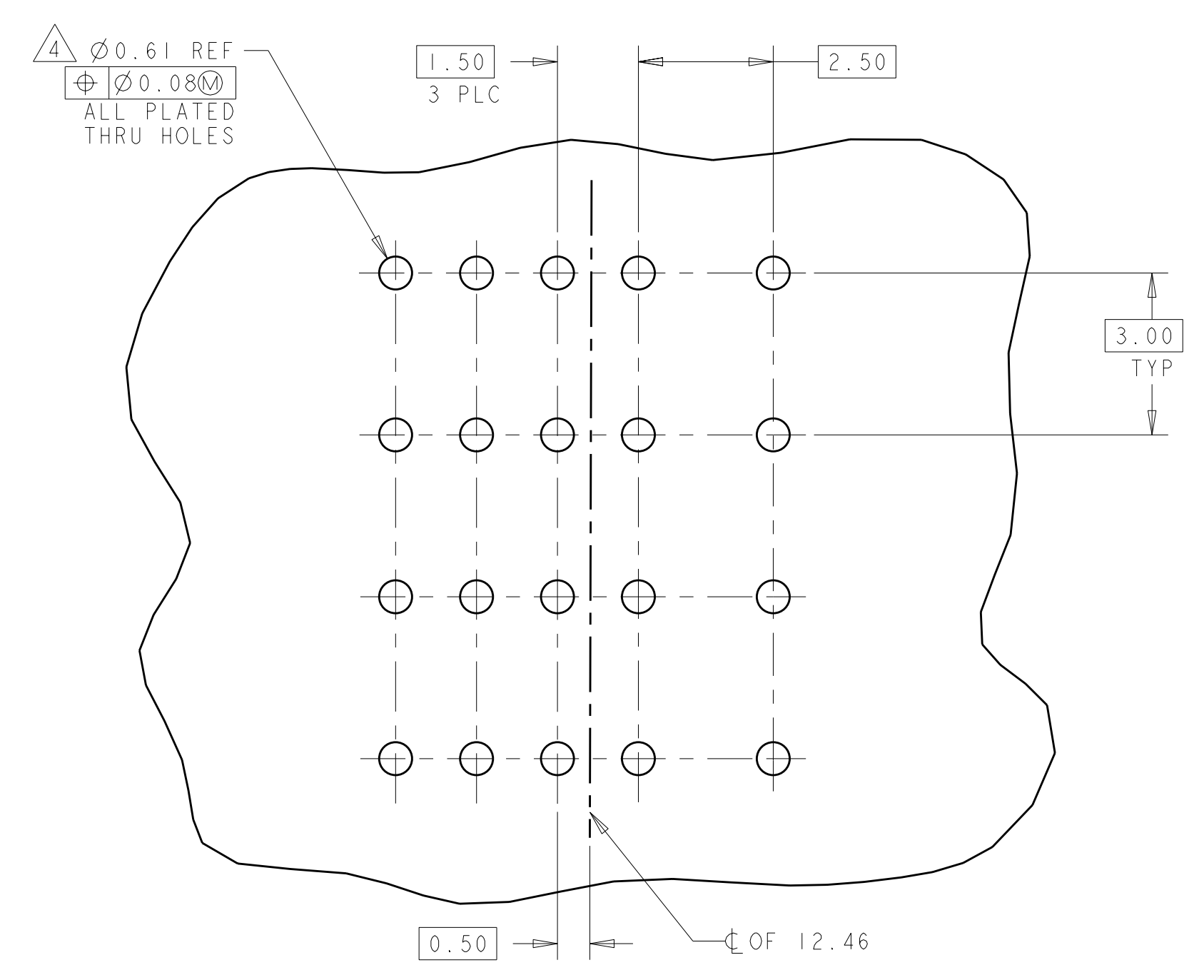
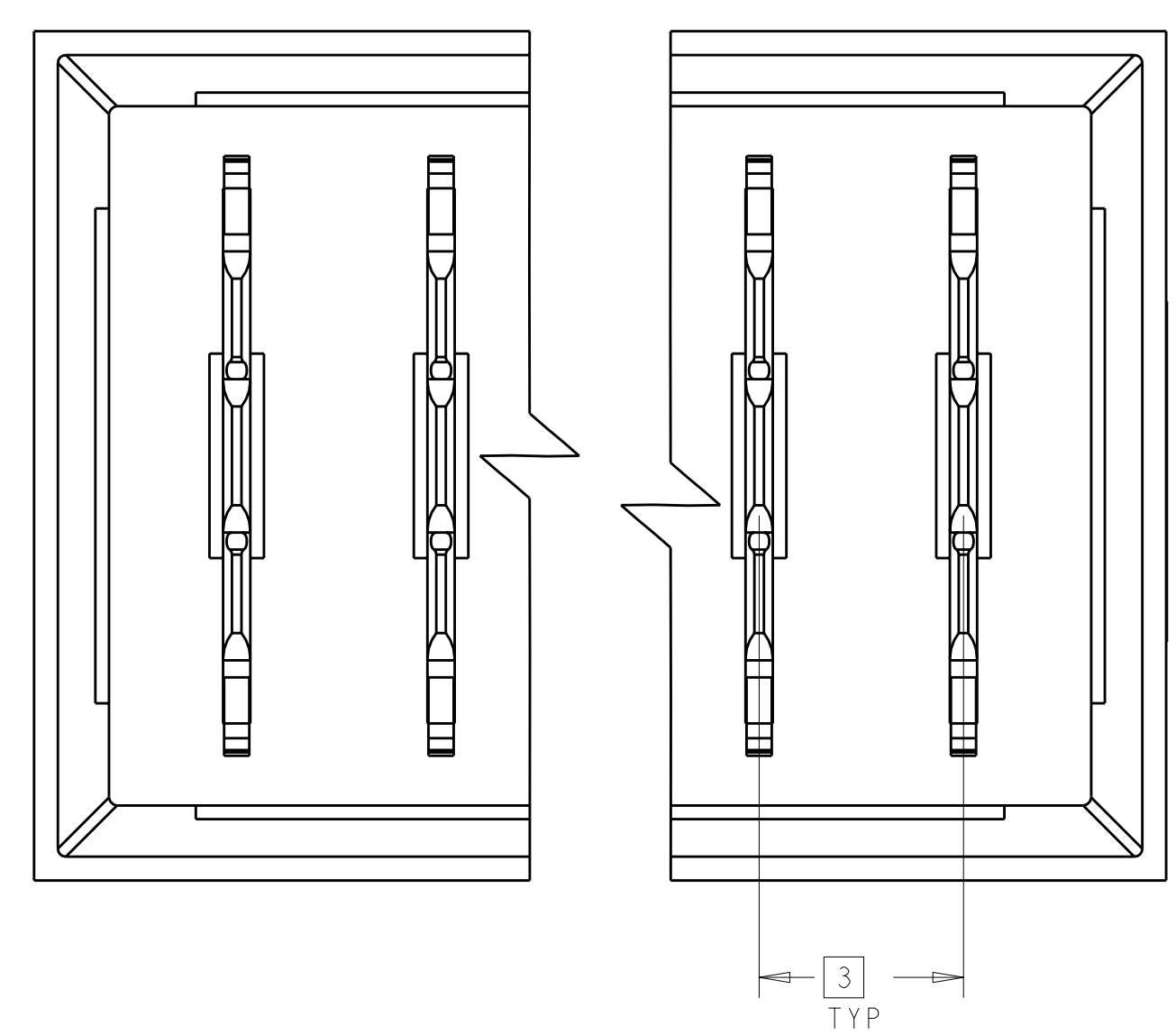
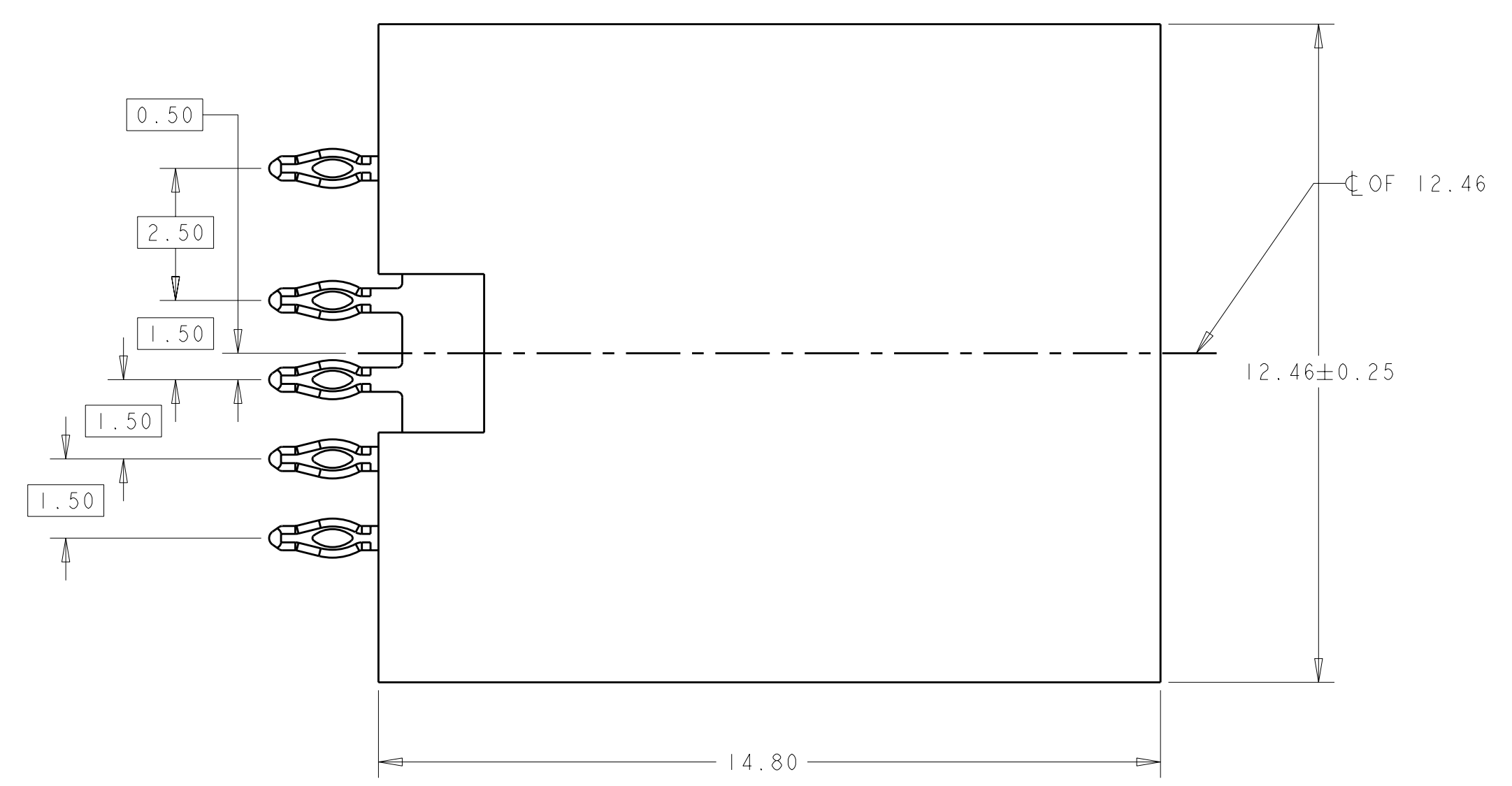


LOC	DIST	REV	DATE	DWN	APVD
AD	00	A	24JUNE2010	DH	DY

- 1 MATERIAL  
 HOUSING: POLYESTER, COLOR, GRAY, UL 94V-0.  
 CONTACT: PHOSPHOR BRONZE, HIGH CURRENT COPPER ALLOY.
- 2 FINISH  
 CONTACT MATING AREA: 1.27µm MIN GOLD OVER 1.27µm MIN NICKEL OR  
 GOLD FLASH OVER PALLADIUM-NICKEL PLATE, 0.76µm MIN TOTAL OVER  
 1.27µm MIN NICKEL  
 COMPLIANT PIN AREA: 0.5µm MIN TIN OVER 1.27µm MIN NICKEL.
- 3 TOLERANCE TO BE ±0.25 BEFORE CONNECTOR  
 IS APPLIED TO PC BOARD.
- 4 REFERENCE APPLICATION SPEC 114-1103 FOR  
 RECOMMENDED PLATED THRU HOLE DIAMETER AND  
 PLATING THICKNESS.
5. CURRENT RATING 16A/CONTACT PER PRODUCT SPEC 108-1651.



POSITION	B REF	A	PART NUMBER
9	29.95	8	1645498-7
8	26.95	7	1645498-6
7	23.95	6	1645498-5
6	20.95	5	1645498-4
5	17.95	4	1645498-3
4	14.95	3	1645498-2
3	11.95	2	1645498-1

DIMENSIONS: mm 		TOLERANCES UNLESS OTHERWISE SPECIFIED: 9 PLC ± 1 PLC ±0.13 5 PLC ± 4 PLC ± ANGLES ±		DWN: B. CARBO 18NOV2008 CHK: G. GRIFFITH 18NOV2008 APVD: G. GRIFFITH 18NOV2008 NAME:		Tyco Electronics Harrisburg, PA 17105-3608	
MATERIAL:		FINISH:		PRODUCT SPEC: APPLICATION SPEC: WEIGHT:		SIZE: CAGE CODE: DRAWING NO: 1645498 RESTRICTED TO:	
CUSTOMER DRAWING				SCALE: 10:1		SHEET 1 OF 1 REV A	