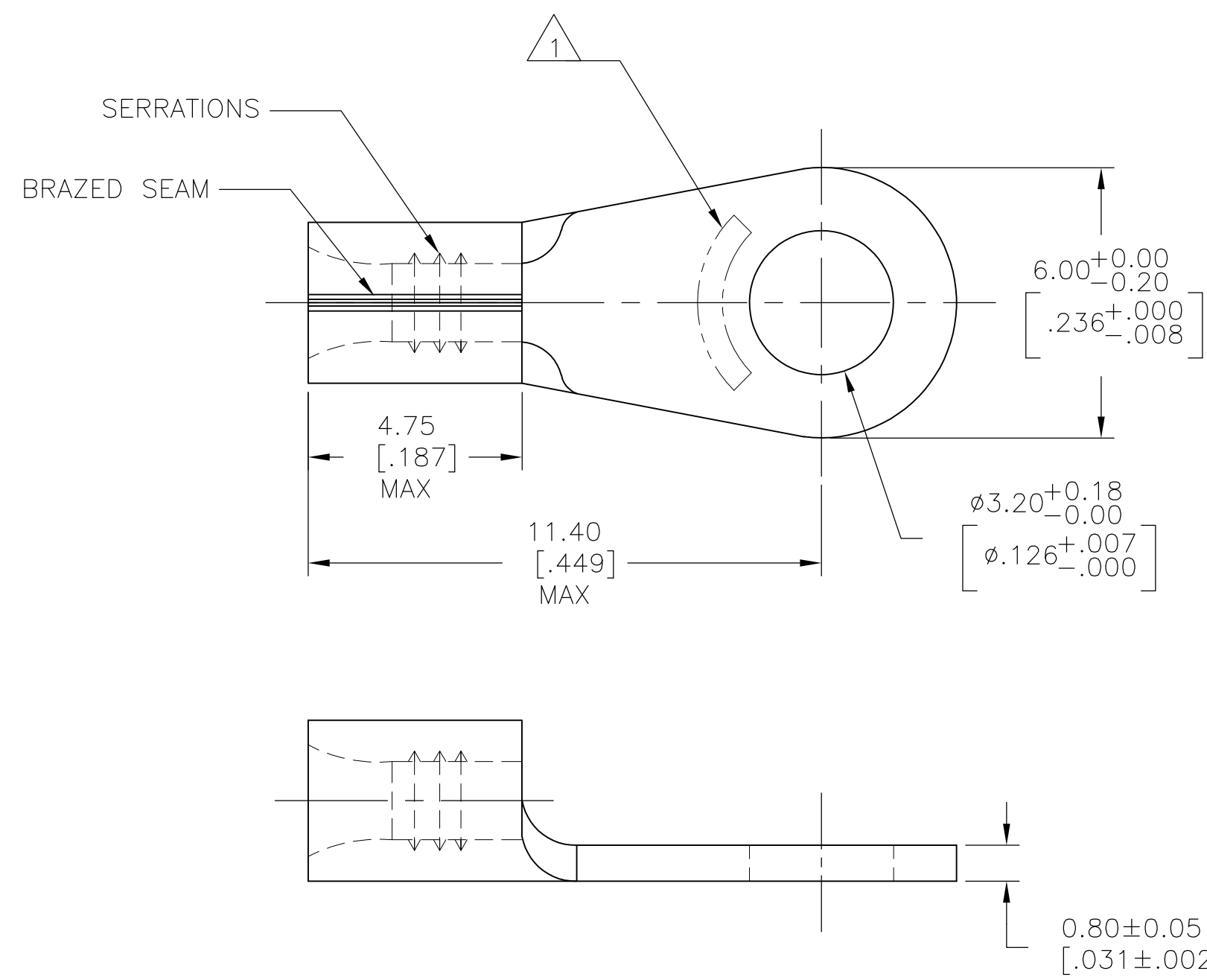



THIS DRAWING IS UNPUBLISHED. RELEASED FOR PUBLICATION
 © COPYRIGHT - By - ALL RIGHTS RESERVED.

LOC	DIST	REVISIONS					
G	01	P	LTR	DESCRIPTION	DATE	DWN	APVD
		D1		REDRAWN PER ECO-14-019282	31DEC2014	NK	DR



- 1 STAMP "AMP 3-1" APPROX AS SHOWN.
- 2 MATERIAL: COPPER PER ASTM B152, ANNEALED
- 3 FINISH: 0.0030[.000120] MIN EXT. THK. PER ASTM B545.

1000	LOOSE PIECE	165291
QTY	PACKAGE TYPE	PART NUMBER

THIS DRAWING IS A CONTROLLED DOCUMENT.		DWN NAGALAKSHMI K 24DEC2014	 TE Connectivity					
DIMENSIONS: mm [INCHES]		CHK ROHDE DANIEL F 24DEC2014			NAME			
TOLERANCES UNLESS OTHERWISE SPECIFIED:		APVD ROHDE DANIEL F 24DEC2014			RING TONGUE STUD M3			
0 PLC ± - 1 PLC ± - 2 PLC ± - 3 PLC ± - 4 PLC ± - ANGLES ± -		PRODUCT SPEC - APPLICATION SPEC -			RESTRICTED TO -			
TYPE -DIN- SOLISTRAND	MATERIAL 2	FINISH 3	SIZE A3	CAGE CODE 00779	DRAWING NO C-165291	SCALE 8:1	SHEET 1 OF 1	REV D1
WIRE RANGE 0.5-1.0 mm2 (987-1974 CMA)	CUSTOMER DRAWING							