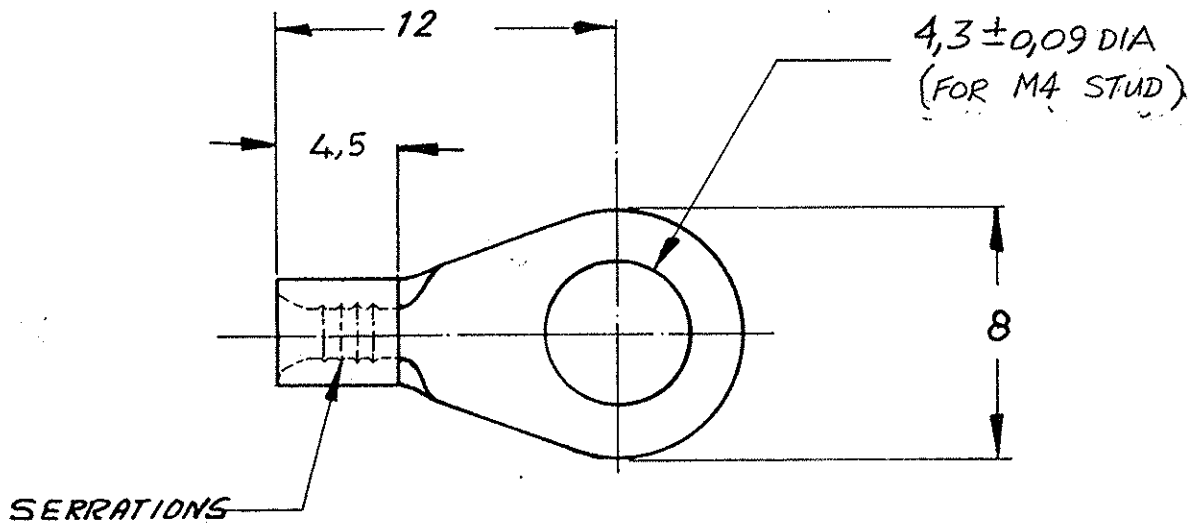


NUMBER C-165297-E



DIMENSIONS IN M.M. DO NOT SCALE PRINT

**CUSTOMER COPY FOR REFERENCE ONLY**

©1967 BY AMP-HOLLAND N.V. ALL RIGHTS RESERVED A-MP PRODUCTS COVERED BY PATENTS AND/OR PATENTS PENDING.



AMP-HOLLAND N.V.  
's-HERTOGENBOSCH  
HOLLAND

165297    COPPER    TINPLATED

WIRE-RANGE 15-25 mm <sup>2</sup>	INSUL.-RANGE —H—	TYPE - DIN - SOLISTRAND
-------------------------------------	---------------------	----------------------------

ORDER NO.	MATERIAL	PLATING
-----------	----------	---------

SCALE —H—	LOC H	SIZE A	NO C-165297-E	REV D1
--------------	----------	-----------	------------------	-----------

DR R. DHONDT.	23/ DATE 16-67	DF V.C. J. Jans	25/ DATE 12/67
CHK	DATE	APP [Signature]	25/ DATE 17-67

NAME RINGTONGUE stud: M4