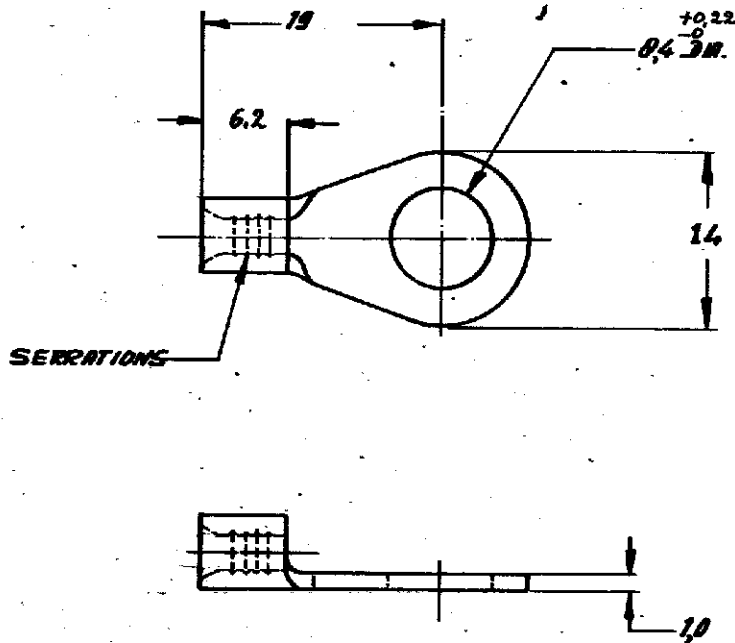


DRAWING MADE IN AMERICAN PROJECTION

PART NO. C-165304-E



DIMENSIONS IN IN. DO NOT SCALE PRINT

CUSTOMER COPY FOR REFERENCE ONLY

©1967 BY AMP-HOLLAND N.V. ALL RIGHTS RESERVED A-MP PRODUCTS COVERED BY PATENTS AND/OR PATENTS PENDING.



AMP-HOLLAND N.V.
HERTOGENBOSCH
HOLLAND

| | | | | | | | | | | |
|------------------|----------------|-----------------------|--------------------------|----------------|----------------------------|-------|-----------------------------|-----------|------------------|----------|
| 165304 | COPPER | INPLATED | WIRE-RANGE 4-6 (M7) 2 | INSUL-RANGE | TYPE - DIM - SILISTRAND | SCALE | LOC H | SIZE A | NO C-165304-E | REV C |
| ORDER NO. | MATERIAL | PLATING | SCALE | LOC | SIZE | NO | NAME RINGTONGUE stud. M8 | | REV | |
| DR R. BUCHDT. | DATE 1/6-67 | CHK DATE 1/7-67 | DATE 1/10/67 | DATE 1/7-67 | DATE | DATE | | | | |