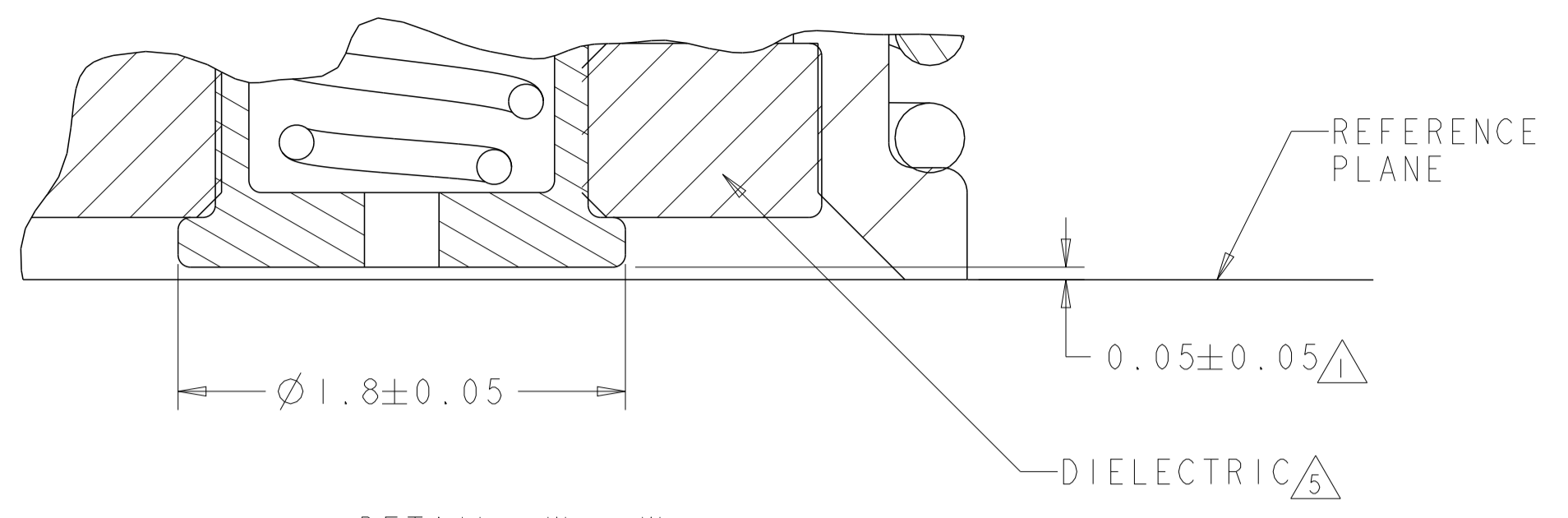
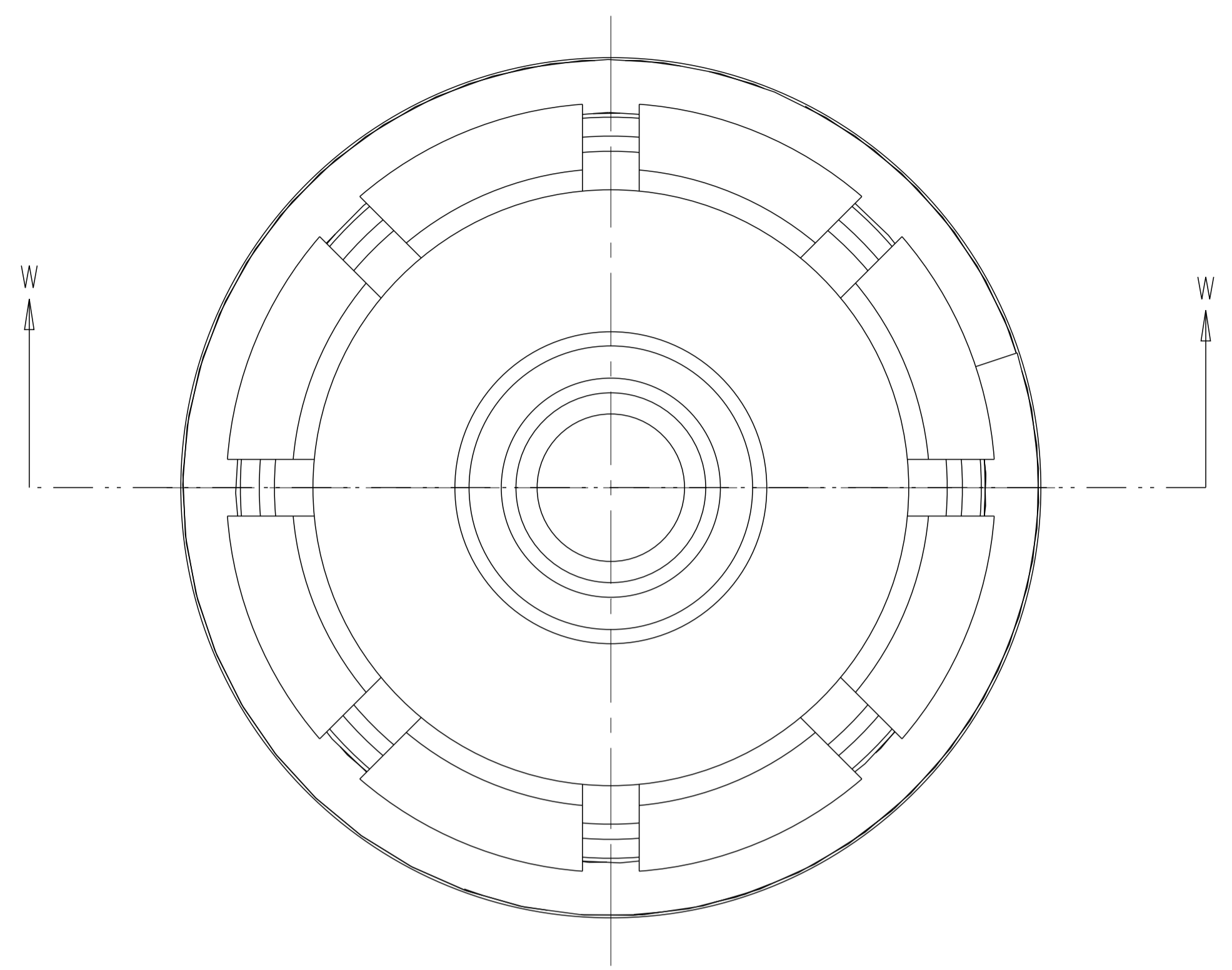
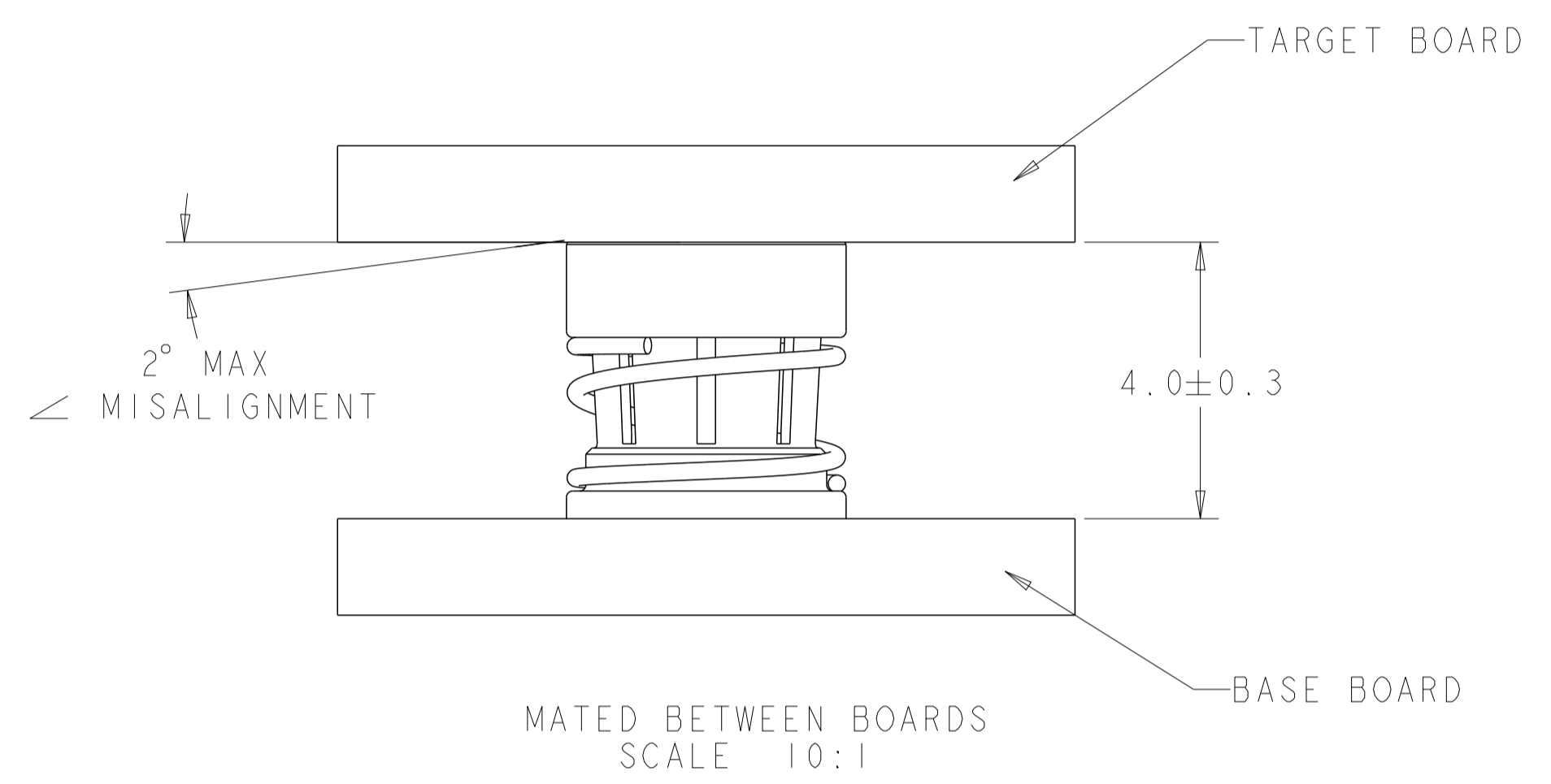


LOC	DIST	REV	DATE	BY	APPV
AG	00	E2	31MAY2018	BW	RS
		E3	26MAR2020	ED	RS

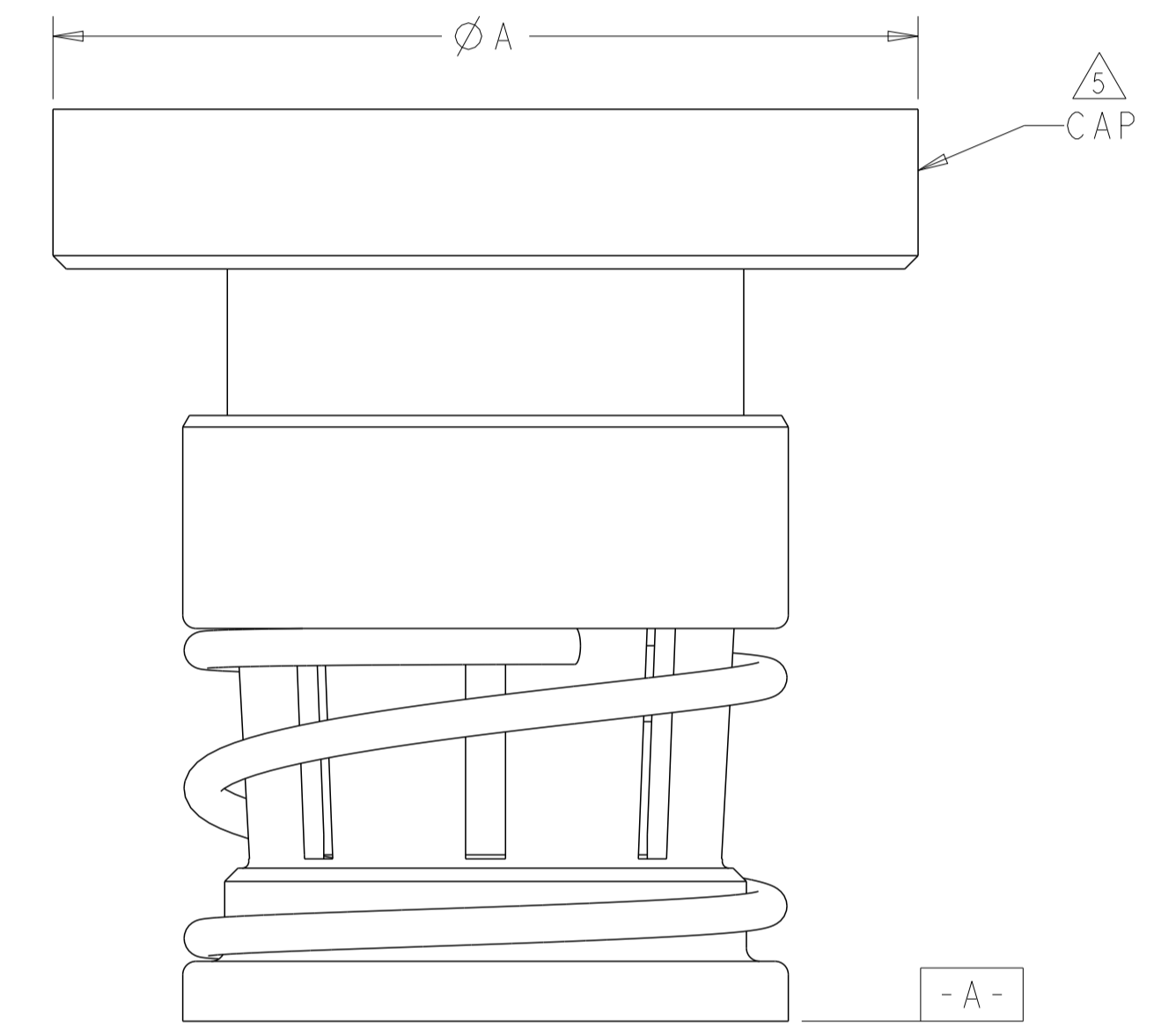
- 1 POSITION CENTER CONTACT
- 2 MATERIAL: PHOS - BRONZE, PLATING: 0.3 - 0.5 μm MIN GOLD OVER 4.0 - 6.0 μm MIN NICKEL.
- 3 MATERIAL: BRASS, PLATING: 0.3 - 0.5 μm MIN GOLD OVER 4.0 - 6.0 μm MIN NICKEL.
- 4 MISALIGNMENT BETWEEN CONNECTOR AXIS AND TARGET PAD, 0.80 mm MAX.
- 5 MATERIAL: PTFE



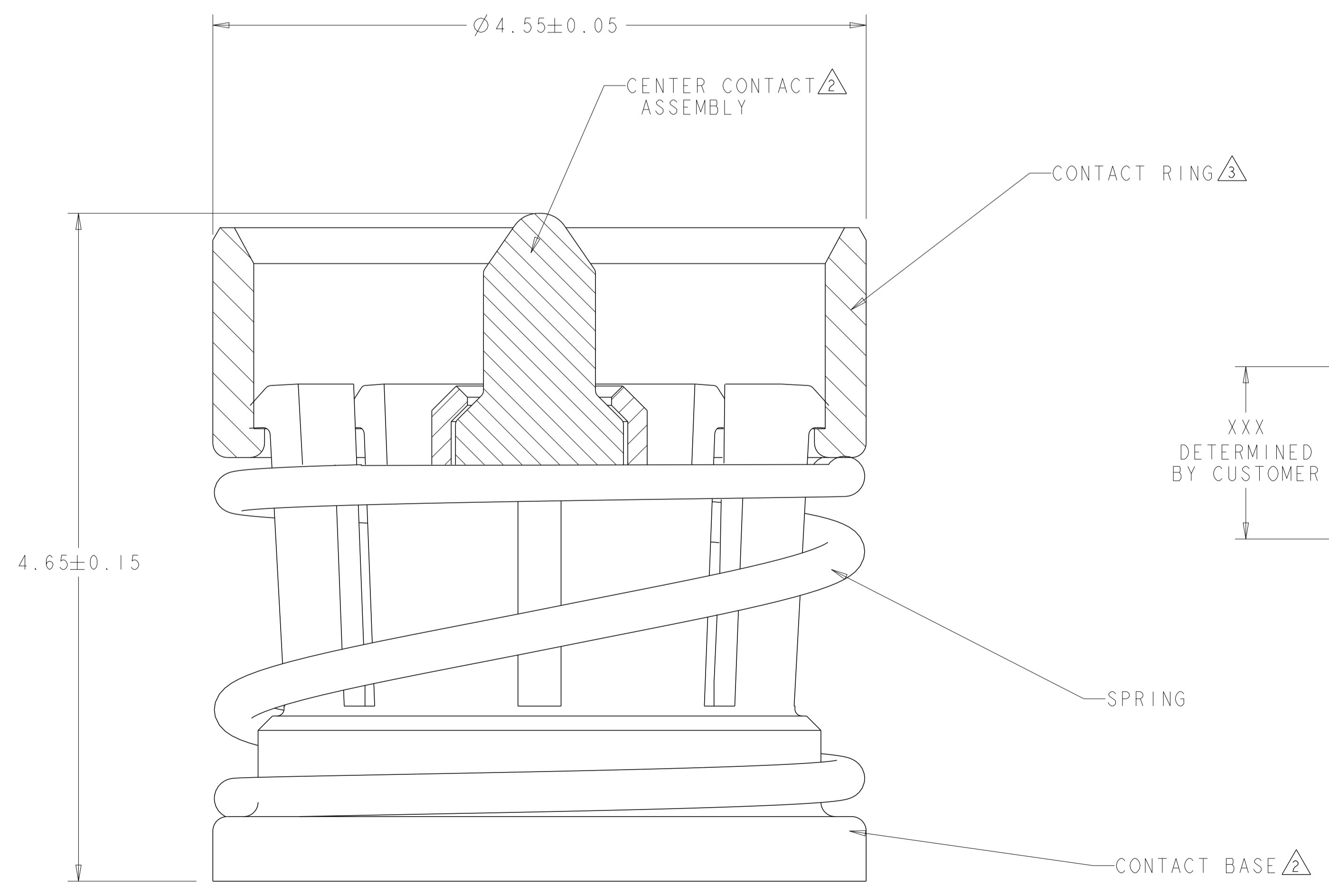
DETAIL W - W
SCALE 40:1



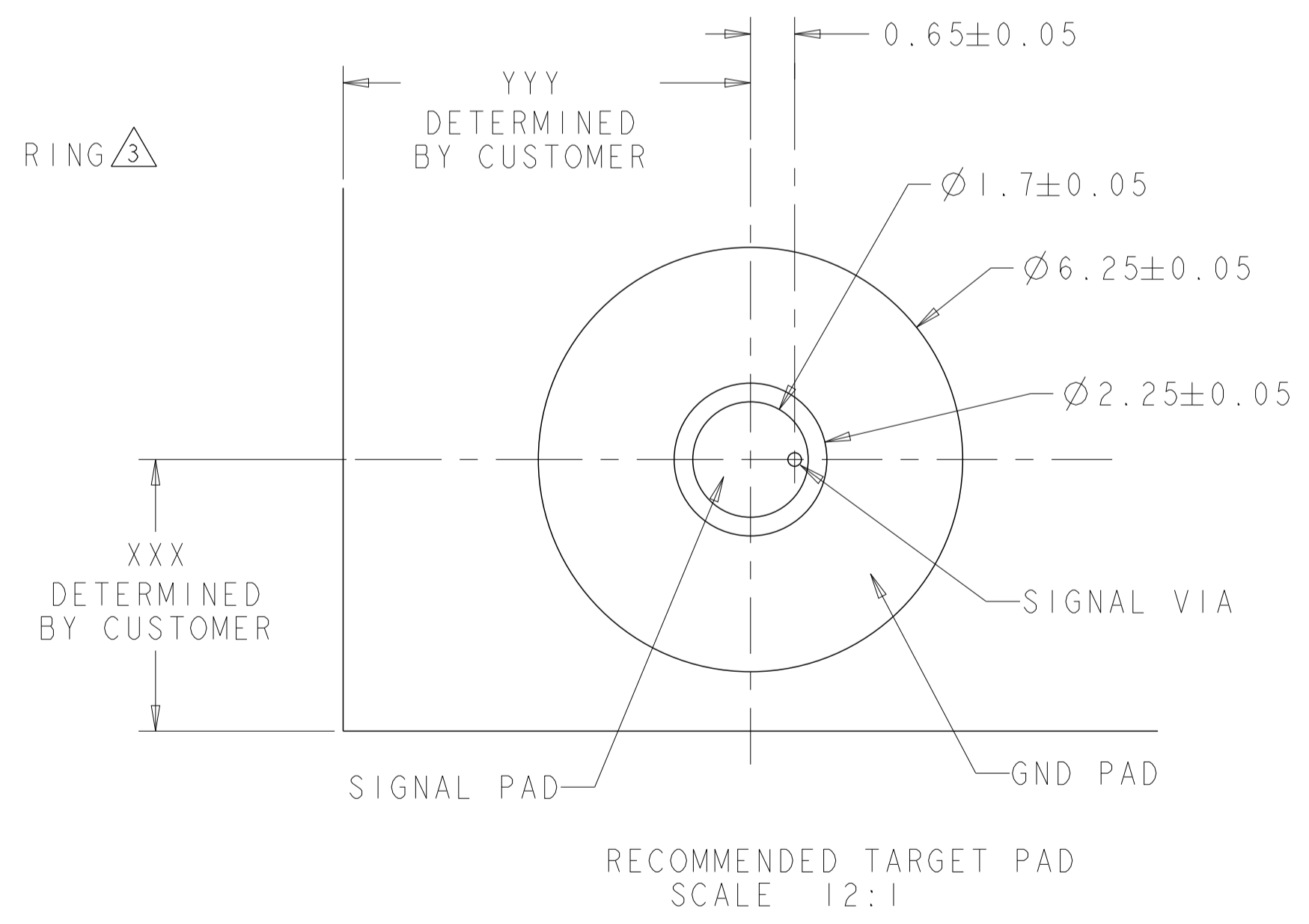
MATED BETWEEN BOARDS
SCALE 10:1



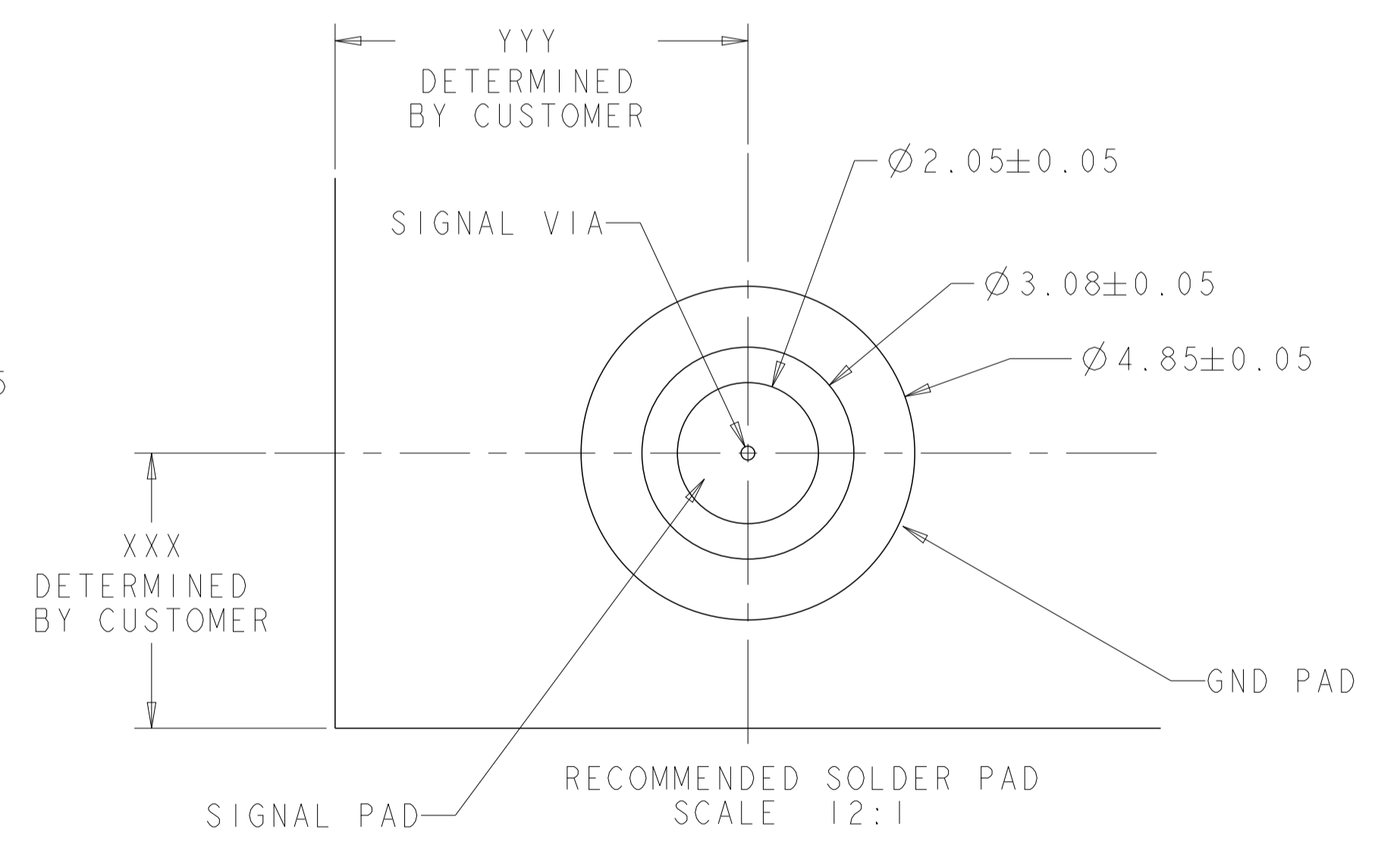
SCALE 20:1



SECTION W-W



RECOMMENDED TARGET PAD
SCALE 12:1



RECOMMENDED SOLDER PAD
SCALE 12:1

"A"	QTY	DESCRIPTION	PART NUMBER
4.8	750	REELED CONNECTOR	I-1658260-2
4.8	L/P	COAX CONNECTOR	I-1658260-1
6.5	750	REELED CONNECTOR	1658260-2
6.5	L/P	COAX CONNECTOR	1658260-1

THIS DRAWING IS A CONTROLLED DOCUMENT.

DIMENSIONS: mm
 TOLERANCES UNLESS OTHERWISE SPECIFIED:
 0 PLC ±0.2
 1 PLC ±0.25
 2 PLC ±0.5
 3 PLC ±0.5
 4 PLC ±0.5
 ANGLES ±0.5°
 FINISH #1*

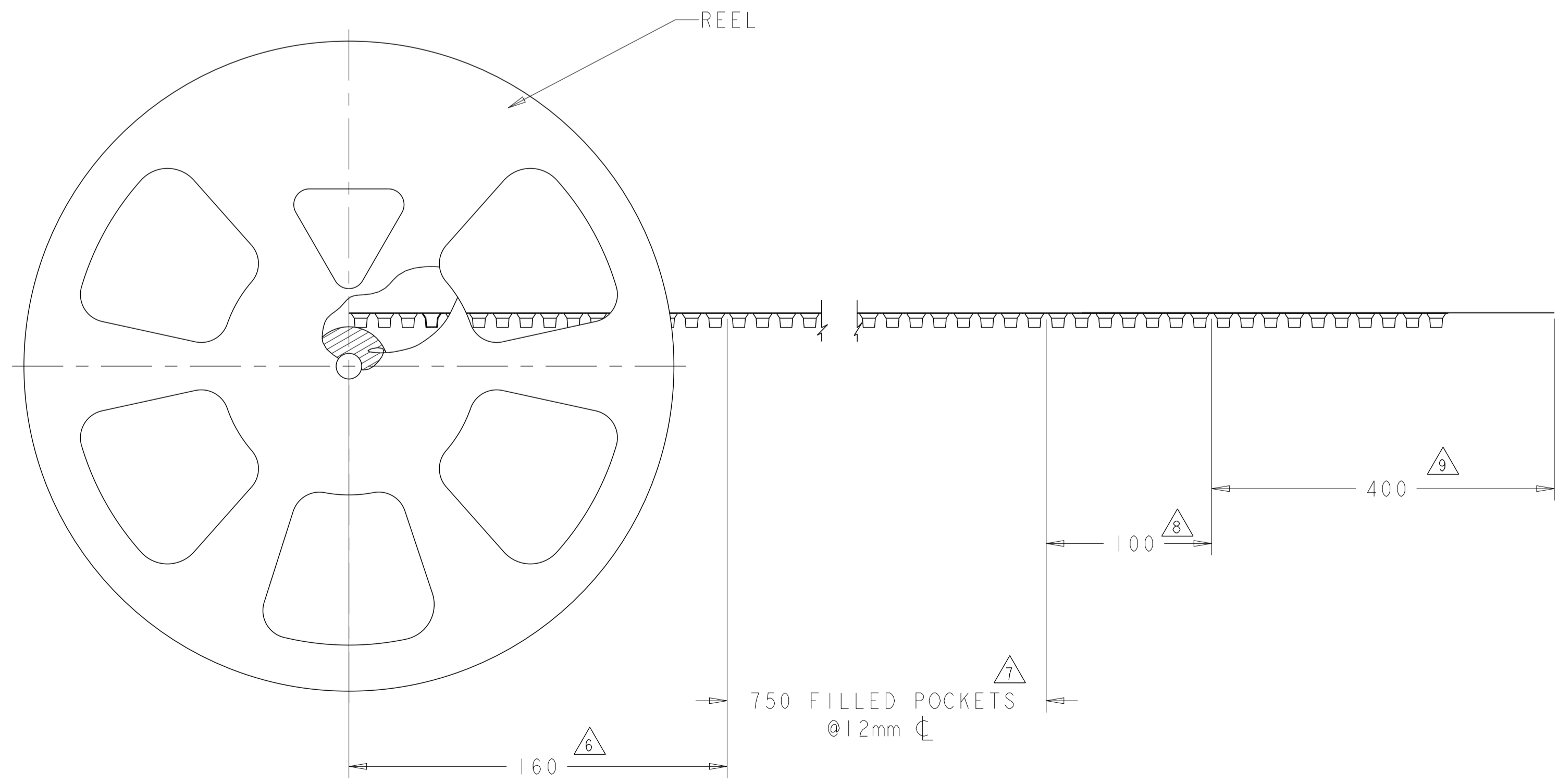
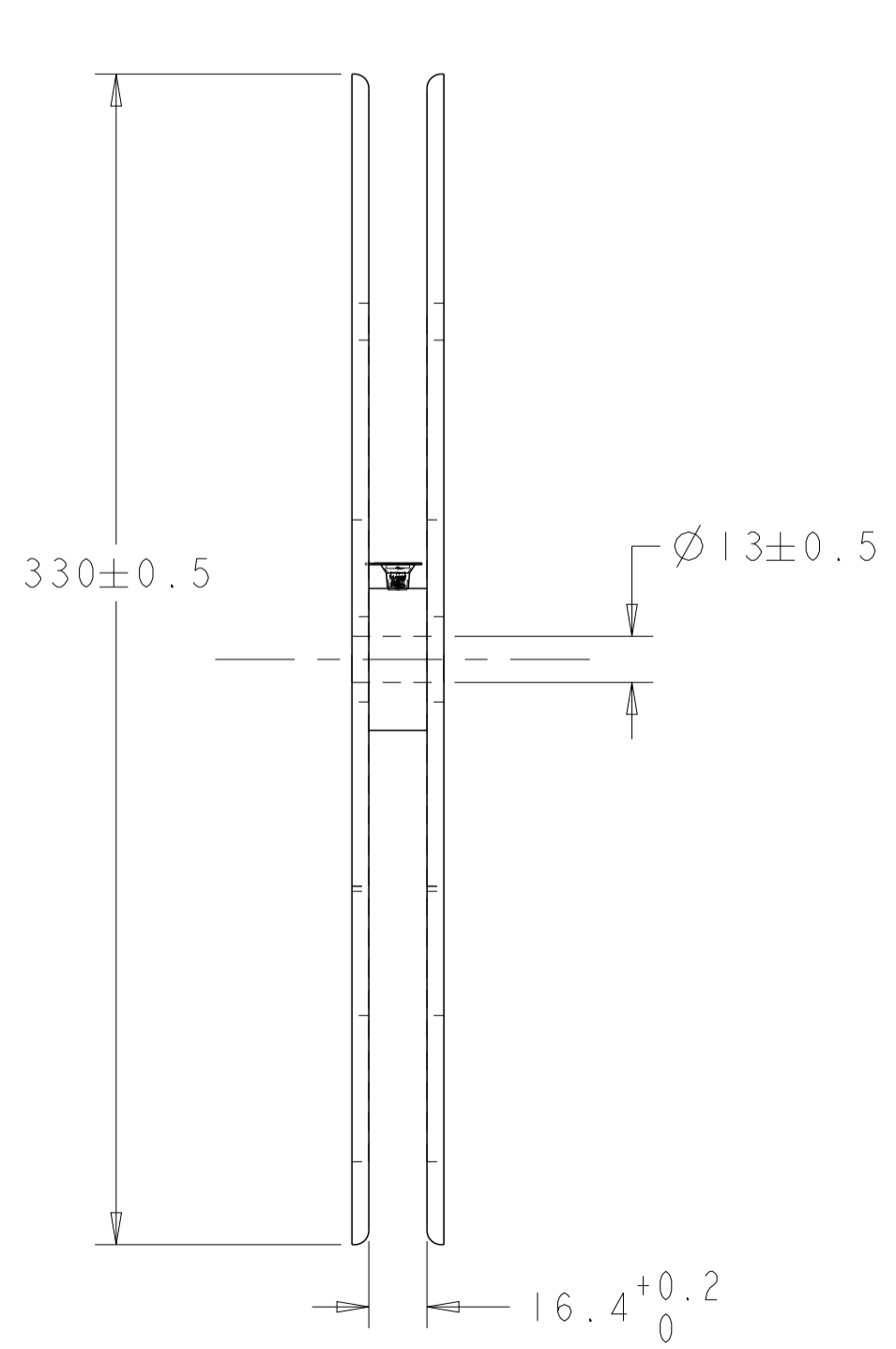
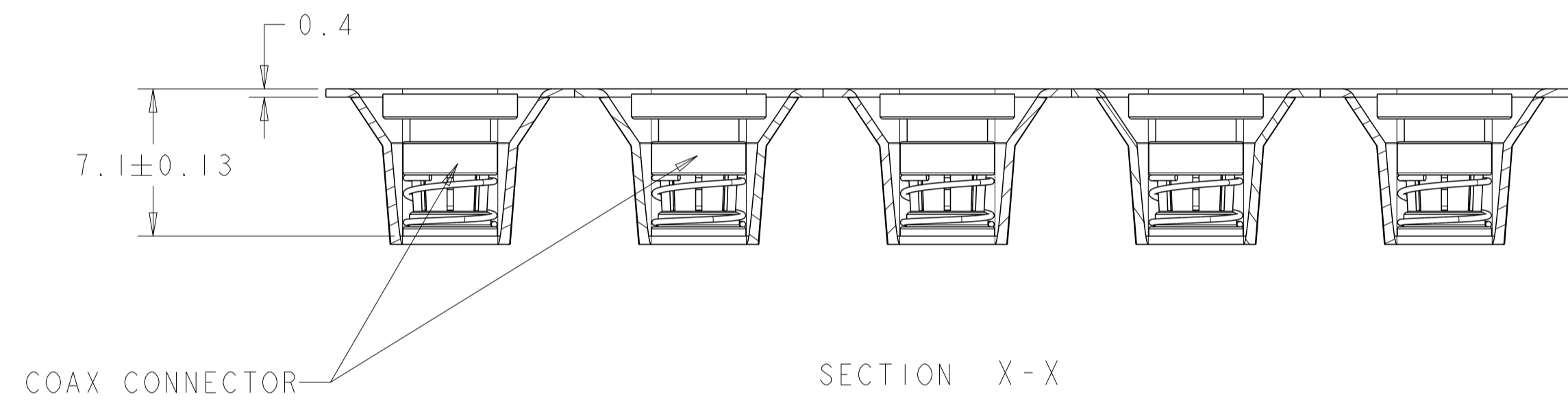
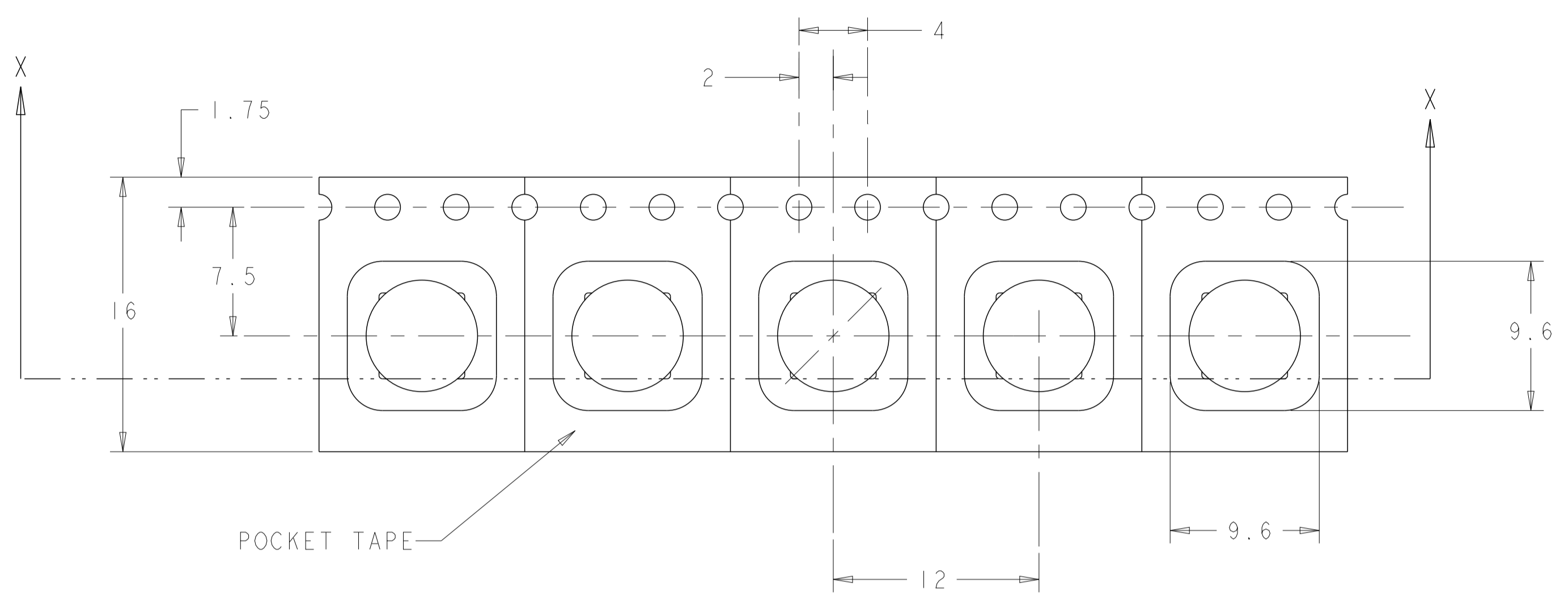
MATERIAL: -
 WEIGHT: -
 CUSTOMER DRAWING: -

DWG: JIM VAN SCOY 21JAN2003
 CHK: M. PHILLIPS 21JAN2003
 APVD: M. PHILLIPS 21JAN2003
 NAME: -
 PRODUCT SPEC: -
 APPLICATION SPEC: -
 SIZE: A1
 CAGE CODE: 1658260
 DRAWING NO: 1658260

STE TE Connectivity
 CONNECTOR, COAXIAL,
 BOARD TO BOARD
 4.0 mm HEIGHT

SCALE 40:1 SHEET 1 OF 2 REV E3

LOC		DIST		REVISIONS			
P	LTN	DESCRIPTION	DATE	DWN	APVD		
-	-	SEE SHEET 1	-	-	-		



- △ 6 TRAILER, EMPTY POCKETS WITH COVER TAPE.
- △ 7 CARRIER POCKETS FILLED WITH 1658260-2, WITH COVER TAPE.
- △ 8 LEADER, EMPTY POCKETS WITH COVER TAPE.
- △ 9 LEADER COVER TAPE.
- 10. REELED PRODUCT PER SPEC EIA 481

THIS DRAWING IS A CONTROLLED DOCUMENT.		DWN: JIM VAN SCOY 21 JAN 2003	TE Connectivity
DIMENSIONS: mm		CHK: M. PHILLIPS 21 JAN 2003	
TOLERANCES UNLESS OTHERWISE SPECIFIED:		APVD: M. PHILLIPS 21 JAN 2003	NAME: CONNECTOR, COAXIAL, BOARD TO BOARD 4.0 mm HEIGHT
0 PLC ±	1 PLC ±0.2	PRODUCT SPEC	SIZE: A1
2 PLC ±0.05	3 PLC ±	APPLICATION SPEC	CAGE CODE: 1658260
4 PLC ±	ANGLES ±	WEIGHT	RESTRICTED TO
FINISH		CUSTOMER DRAWING	SCALE: 40:1 SHEET 2 OF 2 REV: E3