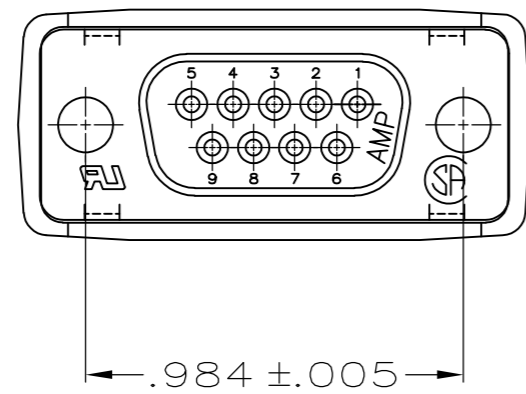
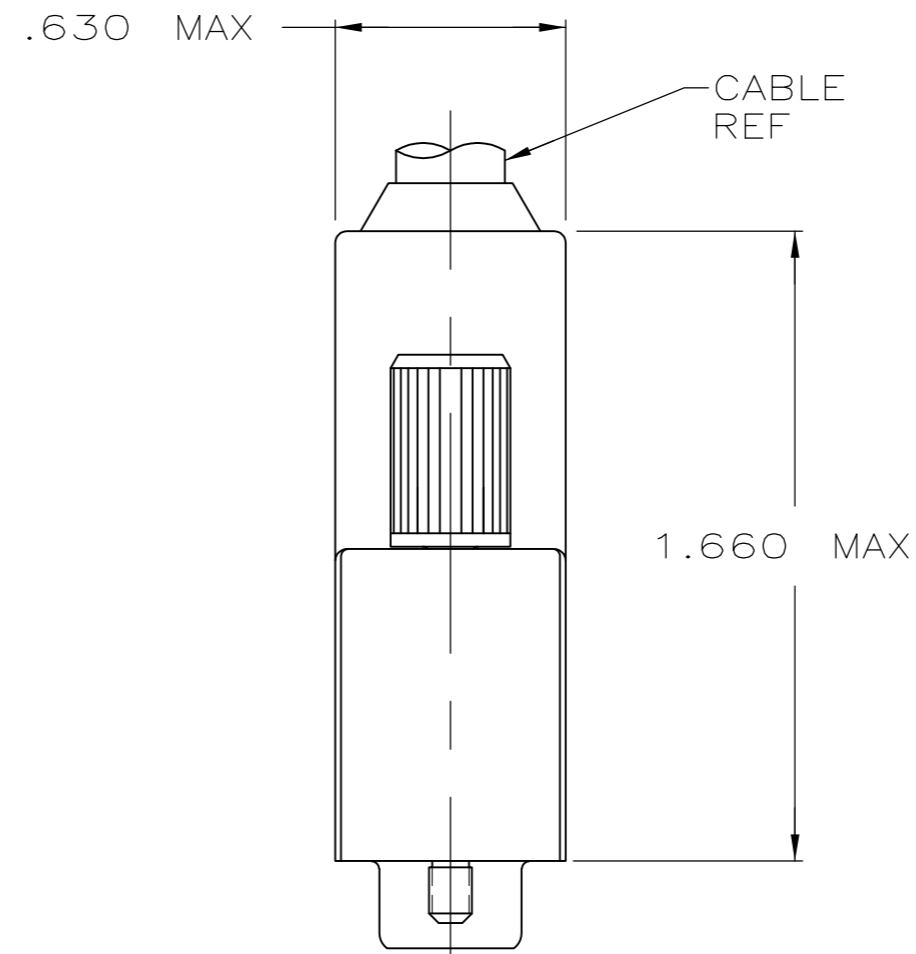
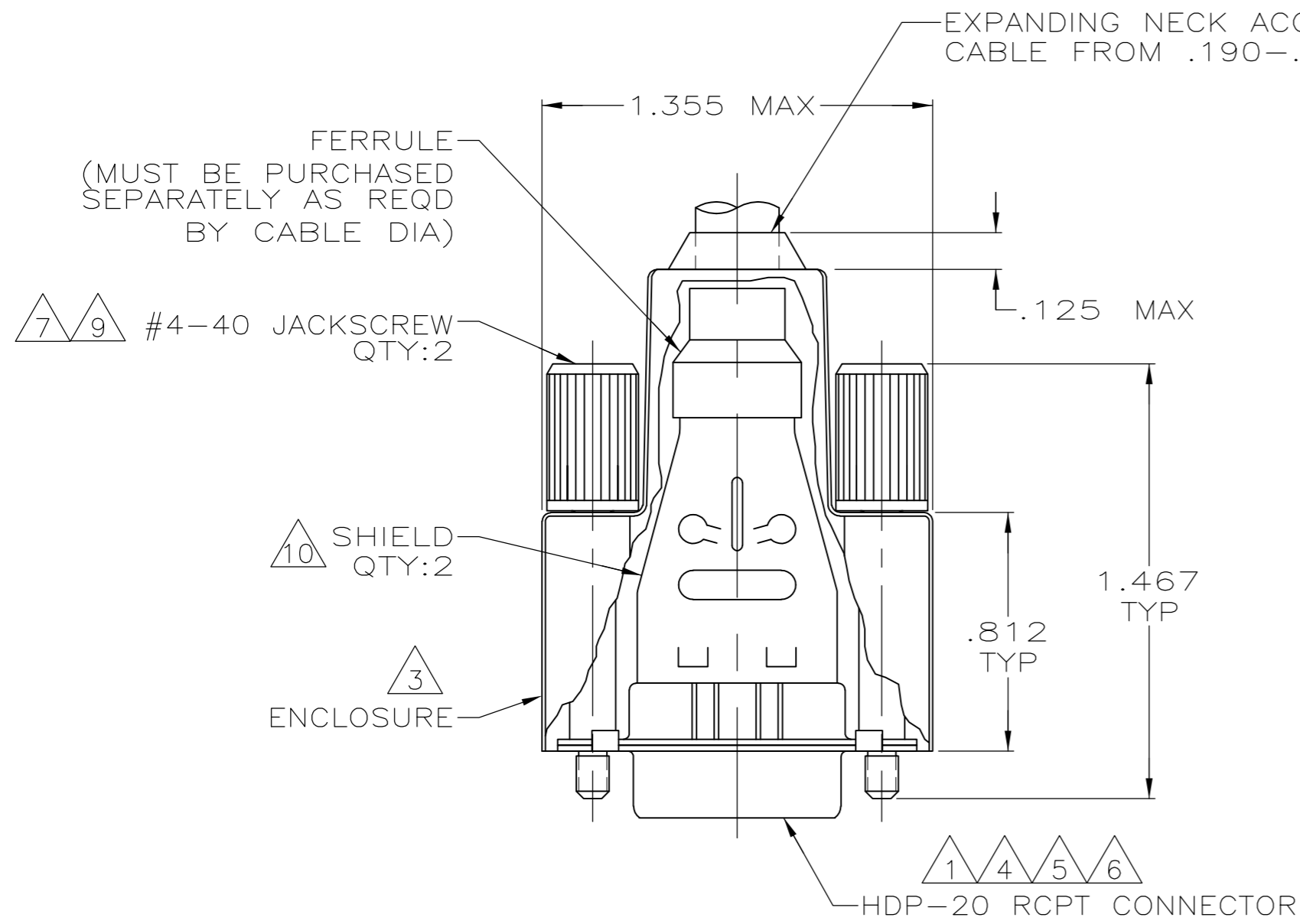


THIS DRAWING IS UNPUBLISHED. RELEASED FOR PUBLICATION
 © COPYRIGHT - By - ALL RIGHTS RESERVED.

REVISIONS				
P	LTR	DESCRIPTION	DATE	APVD
T		REVISED PER ECO-17-002903	20MAR2017	AP DG



- ① RECEPTACLE ACCEPTS SIZE DF SOCKET CONTACTS. CONTACTS MUST BE PURCHASED SEPARATELY.
- 2 ALL PARTS SHIPPED UNASSEMBLED.
- ③ STYRENE POLYOLEFIN OR PVC, 94V-0 RATED, FLAME RETARDANT, BLACK.
- ④ NYLON OR POLYESTER, 94V-0 RATED, GLASS FILLED, FLAME RETARDANT, BLACK.
- ⑤ STEEL PER ASTM A109.
- ⑥ .000200 MIN TIN PLATE OVER .000100 MIN COPPER UNDERPLATE.
- ⑦ BLACK ZINC FLAKE COATING.
- ⑧ COMPONENTS INDIVIDUALLY BULK PACKED.
- ⑨ CARBON STEEL, C1022.
- ⑩ STAINLESS STEEL.

⑧	W/LOGO	1658654-1
PACKAGING	REMARKS	PART NUMBER

THIS DRAWING IS A CONTROLLED DOCUMENT.		DWN J.REITZEL 31JUL03			
DIMENSIONS: INCHES		CHK S.BOLASH 31JUL03			
TOLERANCES UNLESS OTHERWISE SPECIFIED:		APVD M.WALMSLEY 31JUL03			
0 PLC ± - 1 PLC ± - 2 PLC ± - 3 PLC ± .020 4 PLC ± - ANGLES ± - FINISH		NAME			
		PRODUCT SPEC 108-40030	BULK KIT, RECEPTACLE, SHIELDING ENCLOSURE, SIZE 1, 9 POSN, AMPLIMITE™ HDP-20		
MATERIAL ⑩		APPLICATION SPEC 114-40030	SIZE A2	CAGE CODE 00779	DRAWING NO C=1658654
③ ④ ⑤ ⑨		WEIGHT 0.000000	RESTRICTED TO -		
⑥ ⑦		CUSTOMER DRAWING	SCALE 2:1	SHEET 1 of 1	REV T