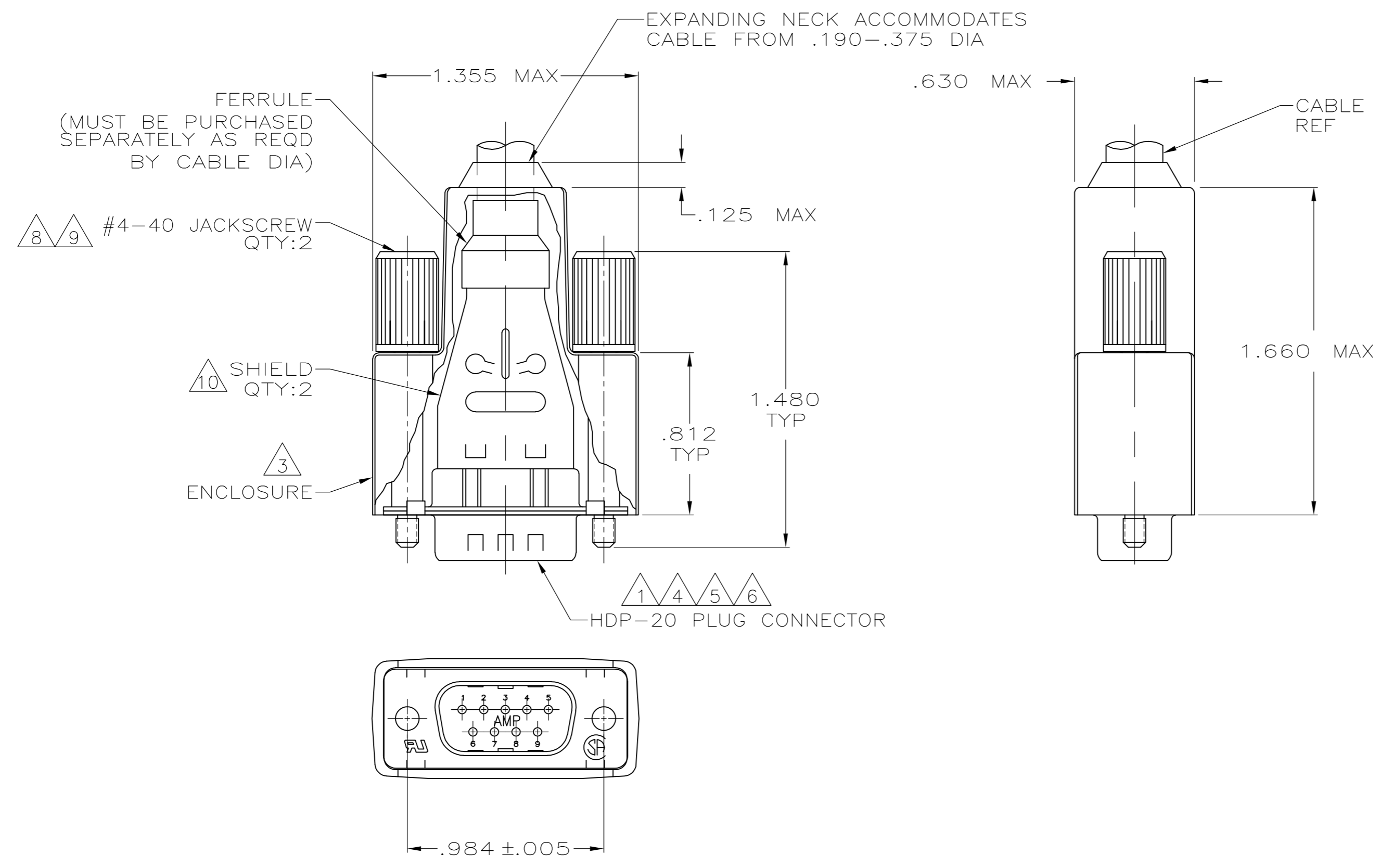


THIS DRAWING IS UNPUBLISHED. RELEASED FOR PUBLICATION
 © COPYRIGHT - By - ALL RIGHTS RESERVED.

REVISIONS				
P	LTR	DESCRIPTION	DATE	APVD
T		REVISED PER ECO-17-002903	20MAR2017	AP DG



- 1 PLUG ACCEPTS SIZE 20 DF PIN CONTACTS. CONTACTS MUST BE PURCHASED SEPARATELY.
- 2 ALL PARTS SHIPPED UNASSEMBLED.
- 3 FLAME RETARDANT 94V-0 RATED, STYRENE POLYOLEFIN OR PVC, BLACK.
- 4 FLAME RETARDANT 94V-0 RATED GLASS FILLED, NYLON OR POLYESTER, BLACK.
- 5 STEEL PER ASTM A109.
- 6 .000200 MIN TIN PLATE OVER .000100 MIN COPPER UNDERPLATE.
- 7 COMPONENTS INDIVIDUALLY BULK PACKED.
- 8 CARBON STEEL, C1022.
- 9 BLACK ZINC FLAKE COATING.
- 10 STAINLESS STEEL.

7	W/LOGOS	1658655-1
PACKAGING	REMARKS	PART NUMBER

THIS DRAWING IS A CONTROLLED DOCUMENT.		DWN J.REITZEL 31JUL03	TE TE Connectivity	
DIMENSIONS: INCHES		CHK S.BOLASH 31JUL03		
TOLERANCES UNLESS OTHERWISE SPECIFIED:		APVD M.WALMSLEY 31JUL03	NAME	
0 PLC ± -		PRODUCT SPEC	PLUG KIT, SHIELDING ENCLOSURE, 9 POSN, SIZE 1, AMPLIMITE™ HDP-20	
1 PLC ± -		APPLICATION SPEC	-	
2 PLC ± -		108-40030	SIZE	CAGE CODE
3 PLC ± .020		114-40030	A2	00779
4 PLC ± -		WEIGHT	DRAWING NO	
5 ANGLES ± -		0.000000	C=1658655	
MATERIAL 10		CUSTOMER DRAWING		RESTRICTED TO
FINISH 6 9		SCALE 2:1		SHEET 1 of 1
3 4 5 8		REV T		