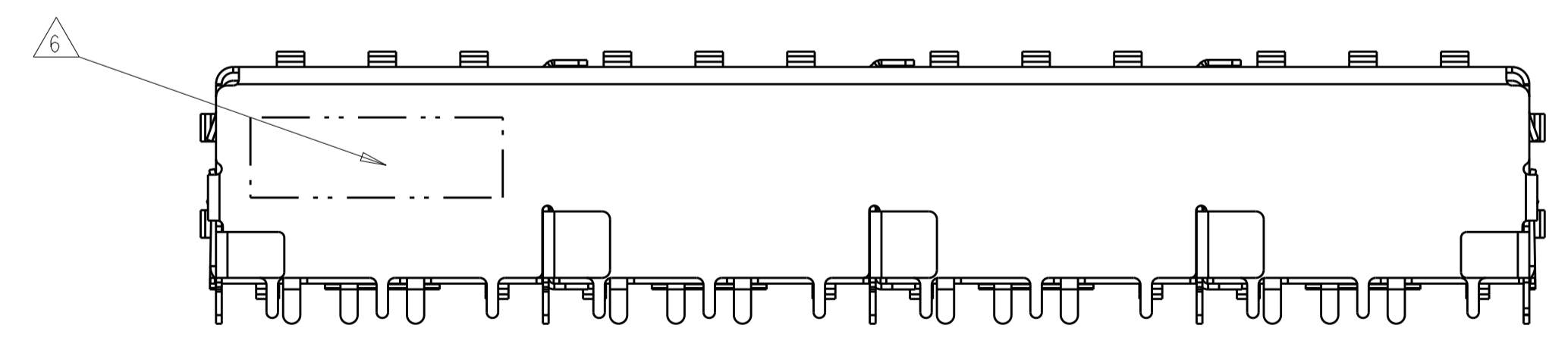
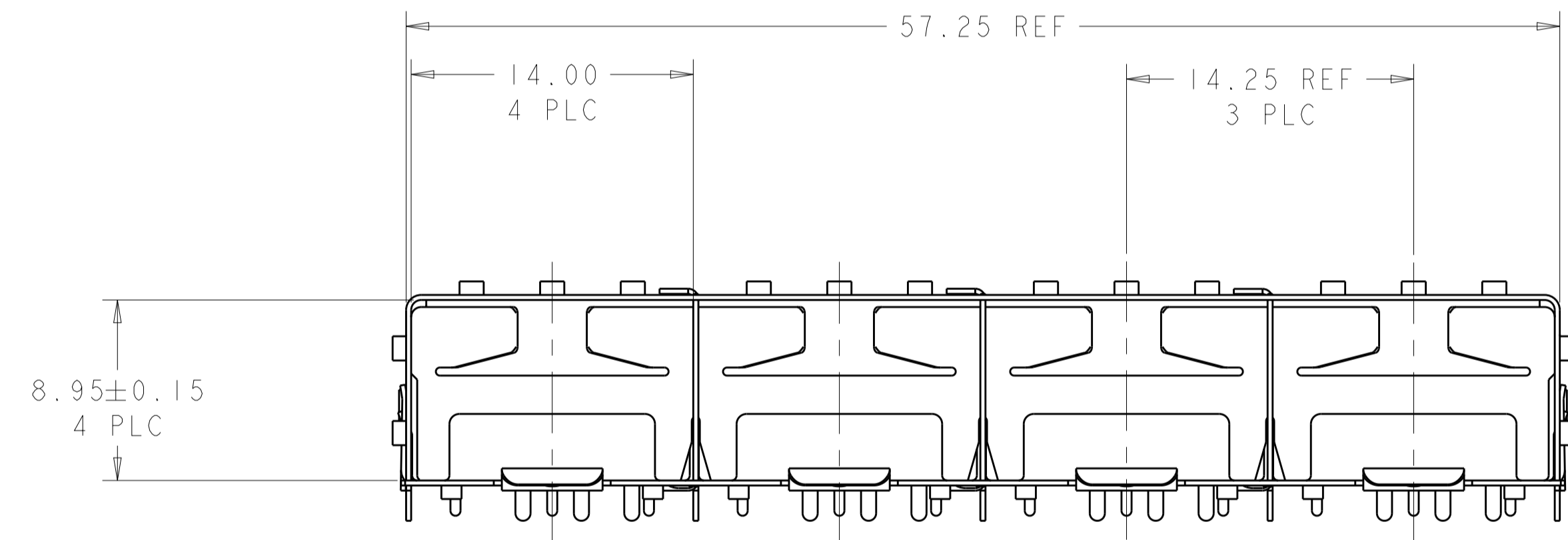
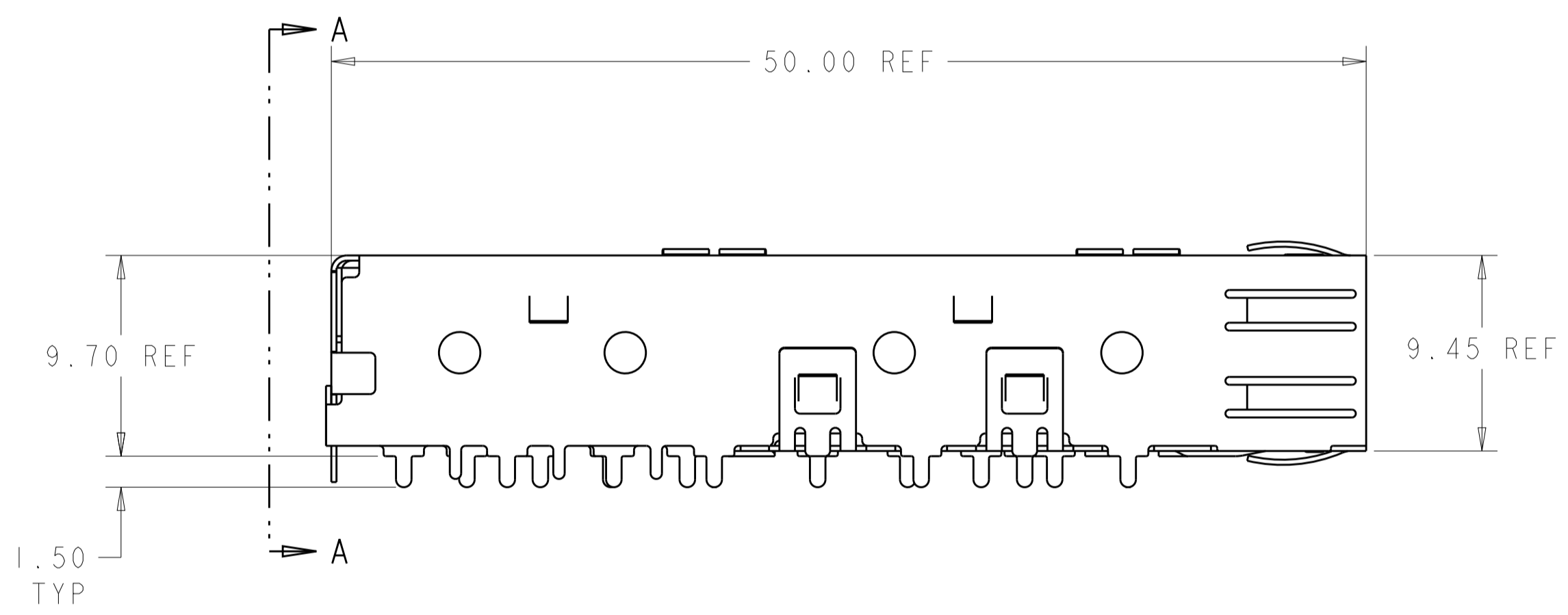
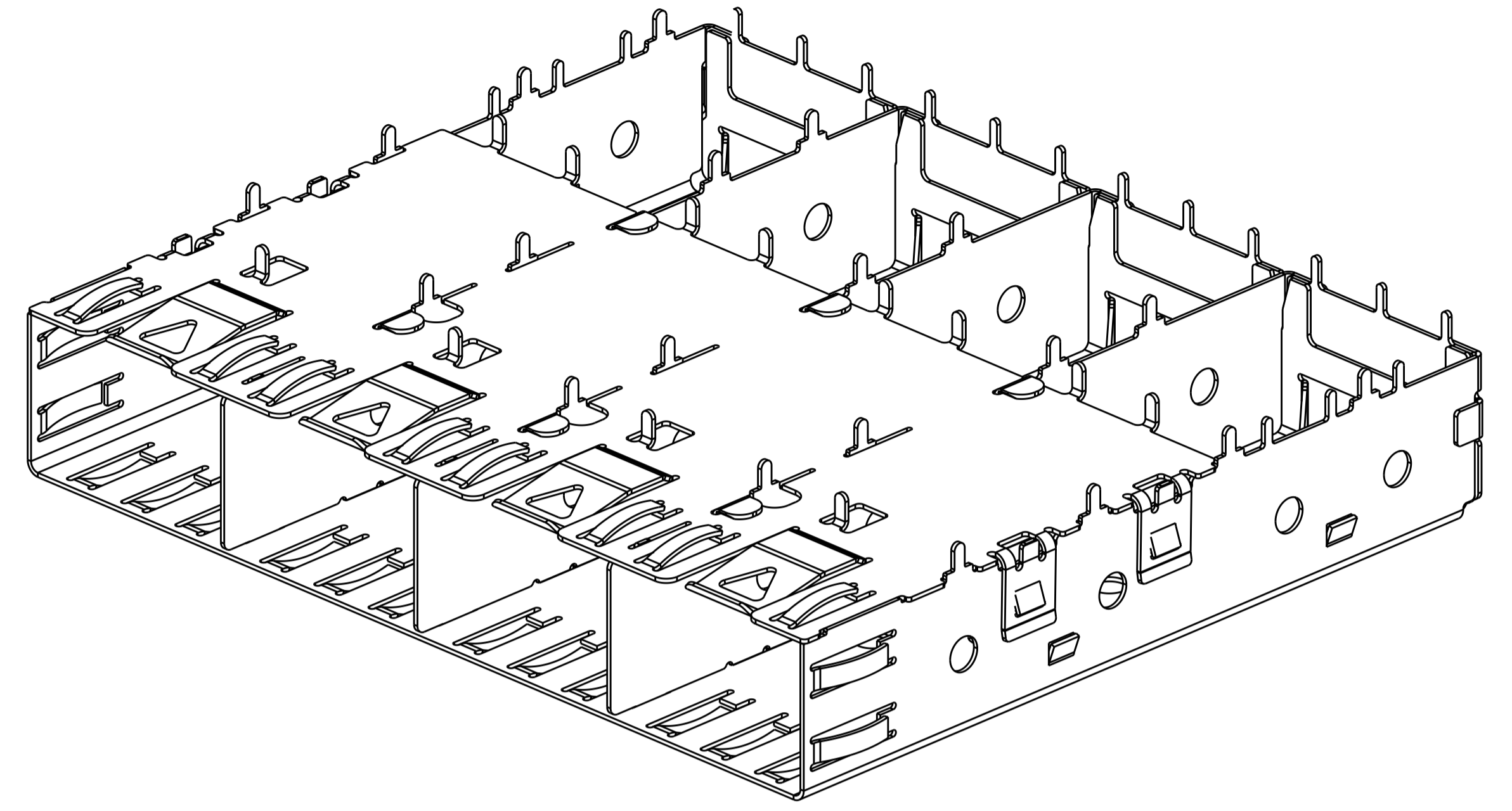
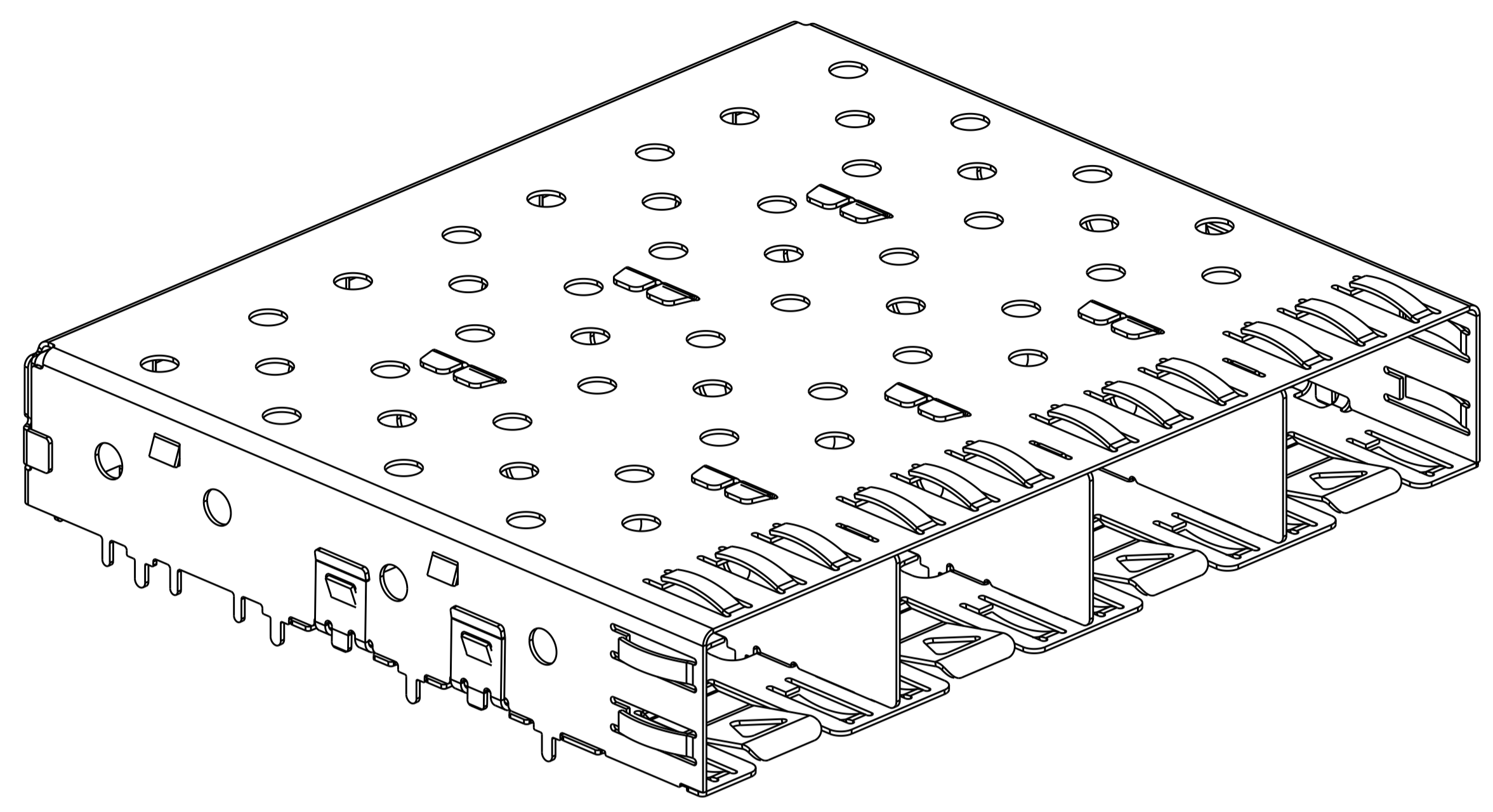
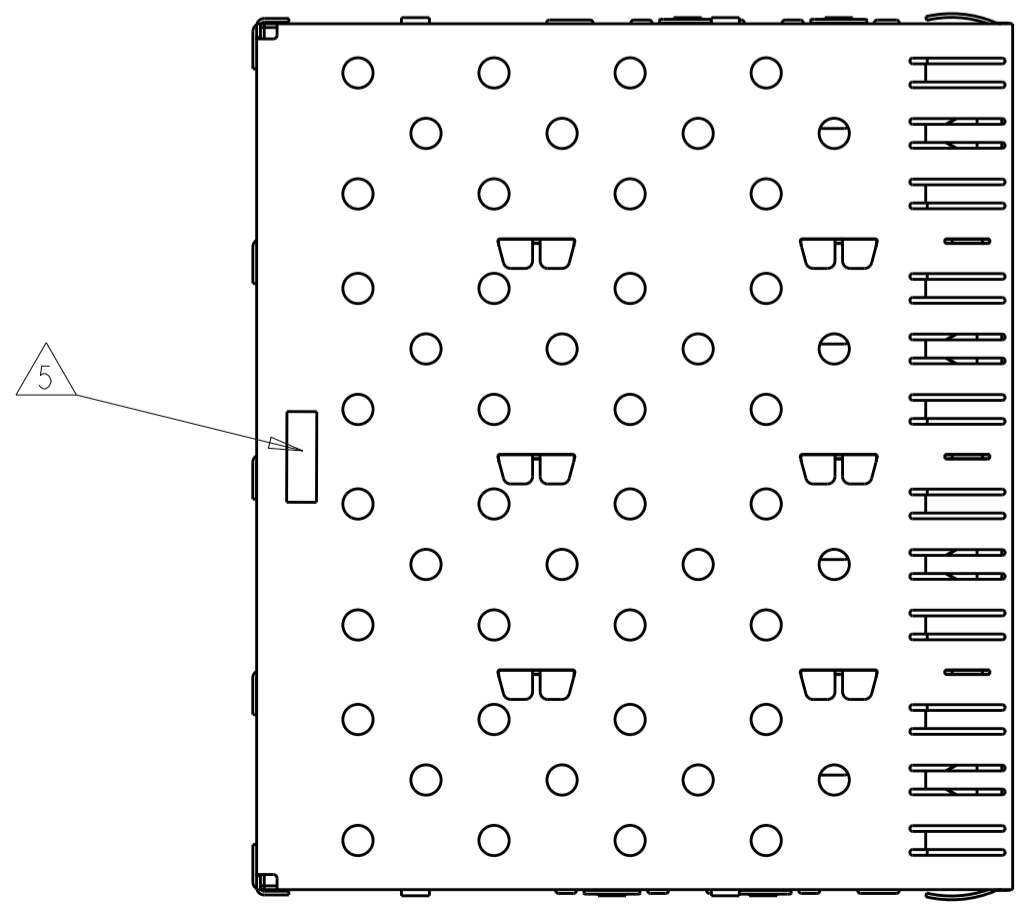


LOC		DIST		REVISIONS			
GP	00	P	LTN	DESCRIPTION	DATE	DWN	APVD
		E1		REVISED PER ECO-14-004667	26MAR2014	JW	SH
		E2		REVISED PER ECO-14-010419	11JUL2014	JW	SH
		F		OBSOLETE PN 1658723-1; ADD PN 1658723-3	05DEC2019	IT	SH
		G		ADD PN -4 WITH CUSTOMIZED TRAY	15APR2020	IT	SH



SECTION A-A

- ① MATERIAL: 0.25MM THICK COPPER ALLOY.
- ② FINISH: 1.25µm MINIMUM TIN PER ASTM B 545 OVER NICKEL FLASH PER QQ-N-290. NONPLATED EDGES PERMISSIBLE.
- ③ PADS AND VIAS CHASSIS GROUND.
- ④ DATUM AND BASIC DIMENSION ESTABLISHED BY CUSTOMER.
- ⑤ COMPANY LOGO IN APPROXIMATE AREA SHOWN.
- ⑥ DATE CODE AND PART NUMBER IN APPROXIMATE AREA SHOWN.
- ⑦ MATERIAL: 0.25MM THICK NICKEL SILVER ALLOY,
- ⑧ FINISH: 0.00127 MM MINIMUM NICKEL ALL OVER, NONPLATED EDGES PERMISSIBLE. 0.002 MM MIN TIN DIPPED ON SOLDER PINS
- ⑨ PRELIMINARY PART, NOT TOOLED
- ⑩ PACKED WITH CUSTOMIZED TRAY SIZE 340mm X 235mm AND 3X5=15PCS PER TRAY.



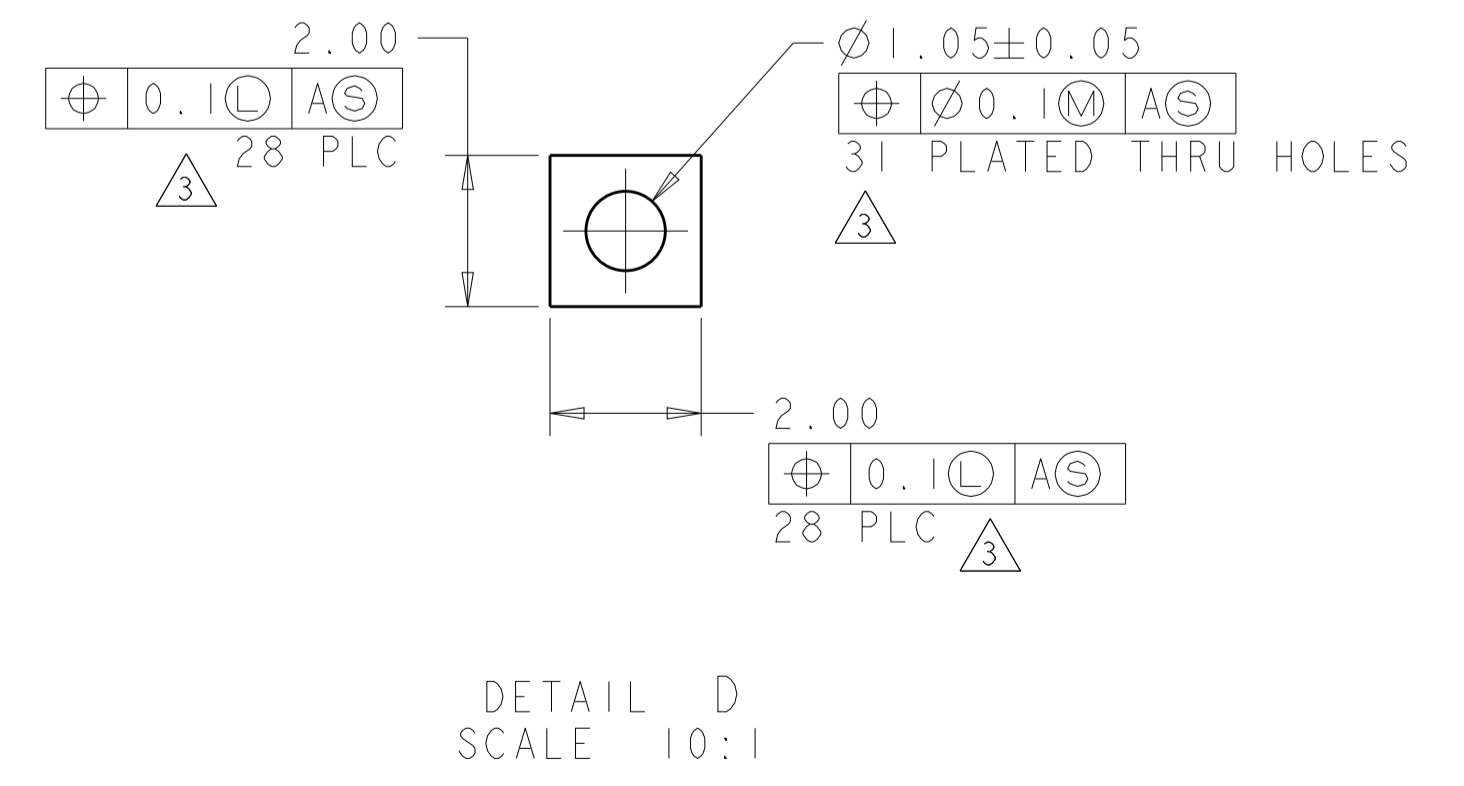
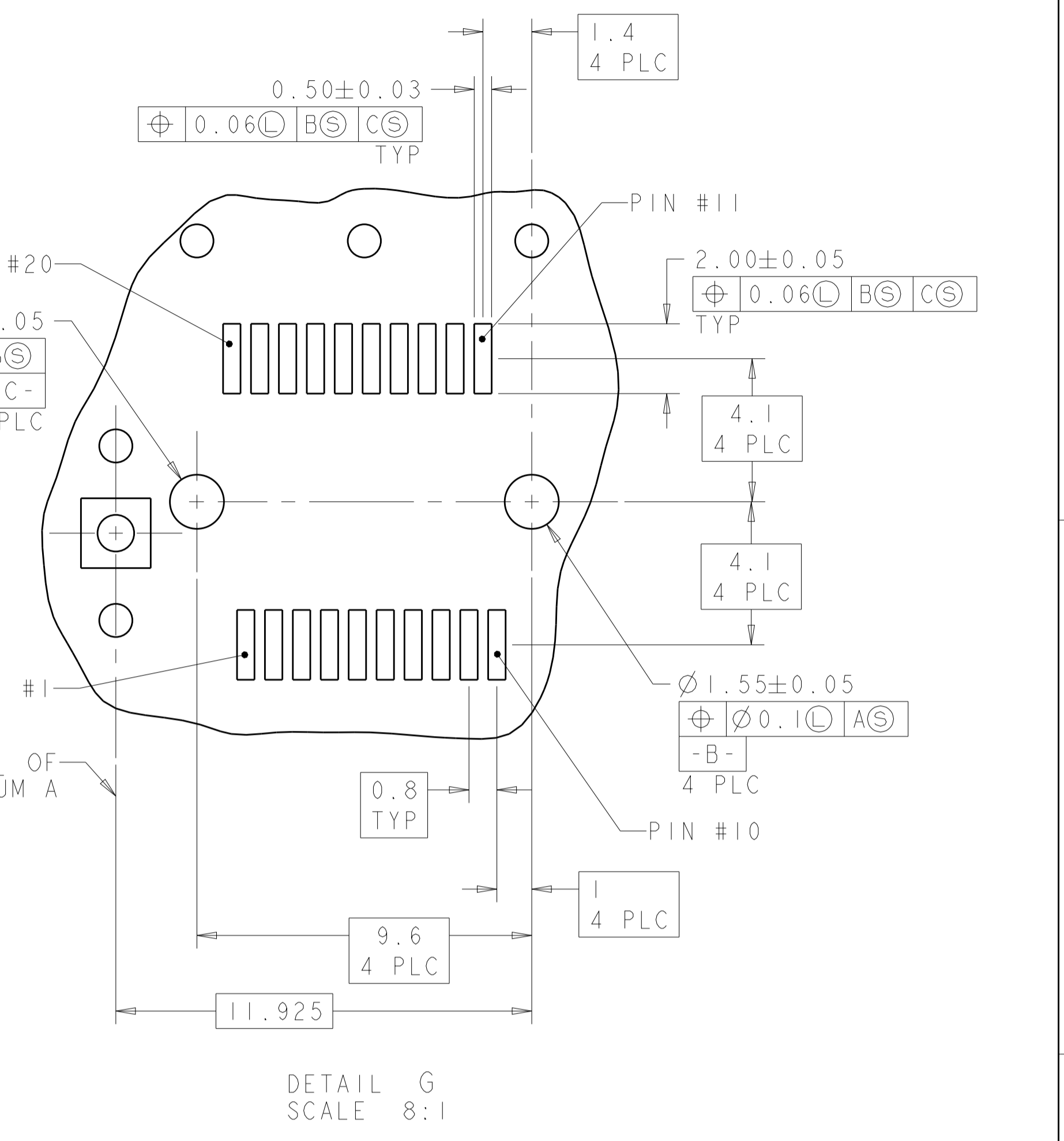
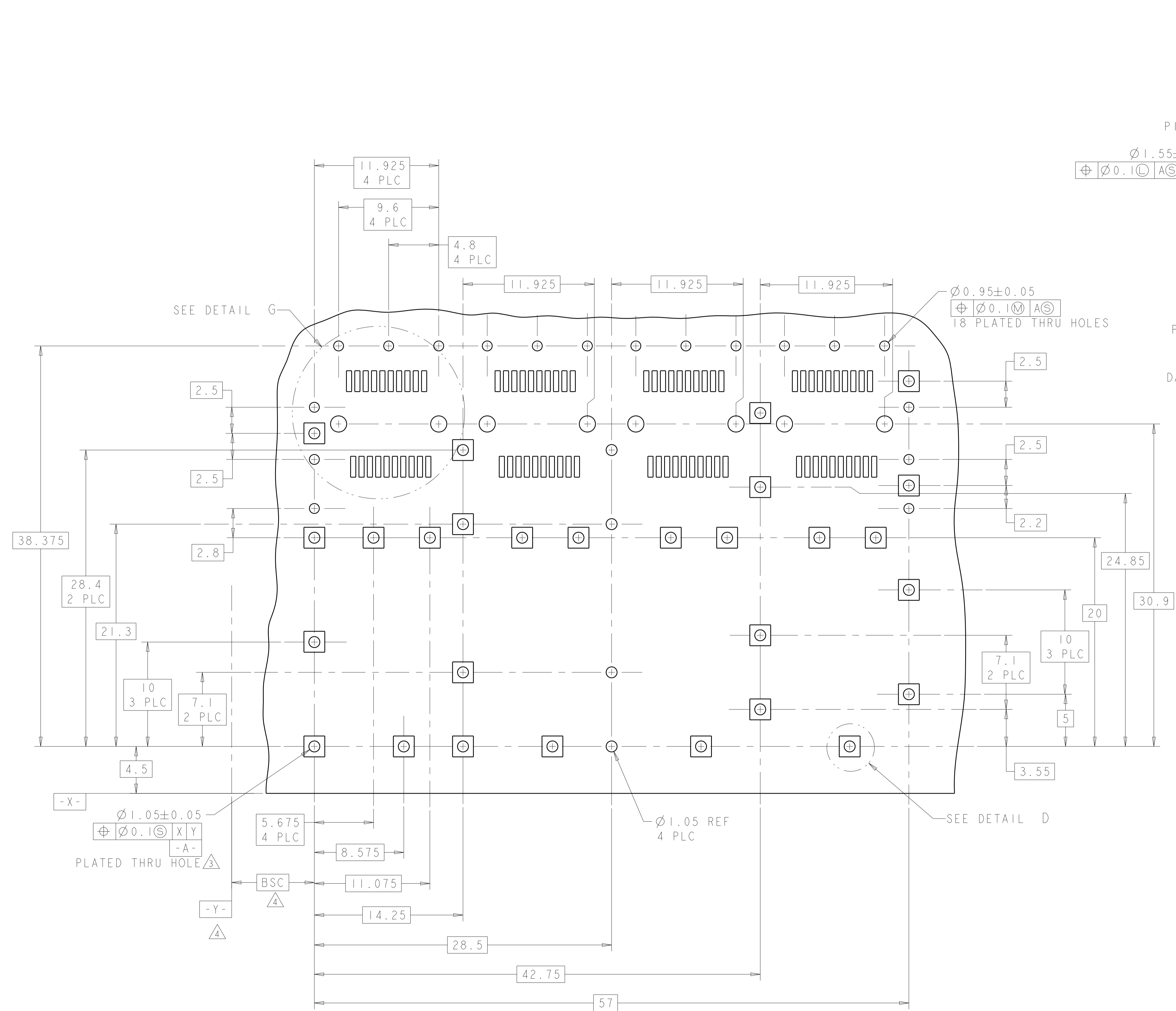
SCALE 2:1

OBSELETE	NO	①	1658723-4
	⑧	①	1658723-3
	NO	①	1658723-2
	②	①	1658723-1
FINISH	MATERIAL	PART NUMBER	

THIS DRAWING IS A CONTROLLED DOCUMENT.		DWN: M. SHIRK 13MAY03	STE TE Connectivity
DIMENSIONS:		CHK: J. KOPPENHEFFER 06MAY04	
TOLERANCES UNLESS OTHERWISE SPECIFIED:		APVD: M. WALMSLEY 06MAY04	
mm		NAME: M. WALMSLEY	
0 PLC ±	1 PLC ±0.10	PRODUCT SPEC: 108-1950	CAGE ASSEMBLY, SOLDER LEG, 1X4, SFP
2 PLC ±	3 PLC ±	APPLICATION SPEC: 114-13017	
4 PLC ±	ANGLES ±	WEIGHT: -	SIZE: A1
MATERIAL: ①	FINISH: ②	CUSTOMER DRAWING	RESTRICTED TO: A100779C=1658723
		SCALE: 4:1	SHEET: 1 OF 2
		REV: G	

LOC	DIST	REV	DATE	BY	APPV
GP	00				

REVISIONS		DATE	BY	APPV
1	SEE SHEET 1			



RECOMMENDED PCB LAYOUT
 SCALE 5:1

THIS DRAWING IS A CONTROLLED DOCUMENT.		OWN: M. SHIRK 13MAY03	TE Connectivity NAME: CAGE ASSEMBLY, SOLDER LEG, 1X4, SFP
DIMENSIONS: mm		CHK: J. KOPPENHEFFER 06MAY04	
TOLERANCES UNLESS OTHERWISE SPECIFIED:		APPV: M. WALMSLEY 06MAY04	PRODUCT SPEC: 108-1950
0 PLC ±	1 PLC ±0.10	APPLICATION SPEC: 114-13017	RESTRICTED TO: A100779C=1658723
2 PLC ±	3 PLC ±	WEIGHT: -	SCALE: 4:1
4 PLC ±	ANGLES ±	CUSTOMER DRAWING	SHEET 2 OF 2
MATERIAL: -	FINISH: -		REV G