

REVISIONS

P	LTR	DESCRIPTION	DATE	DWN	APVD
	A	REVISED PER ECO-18-008569	15JUN2018	RS	JO

1 FOR MINI-APPLICATOR CRIMPING

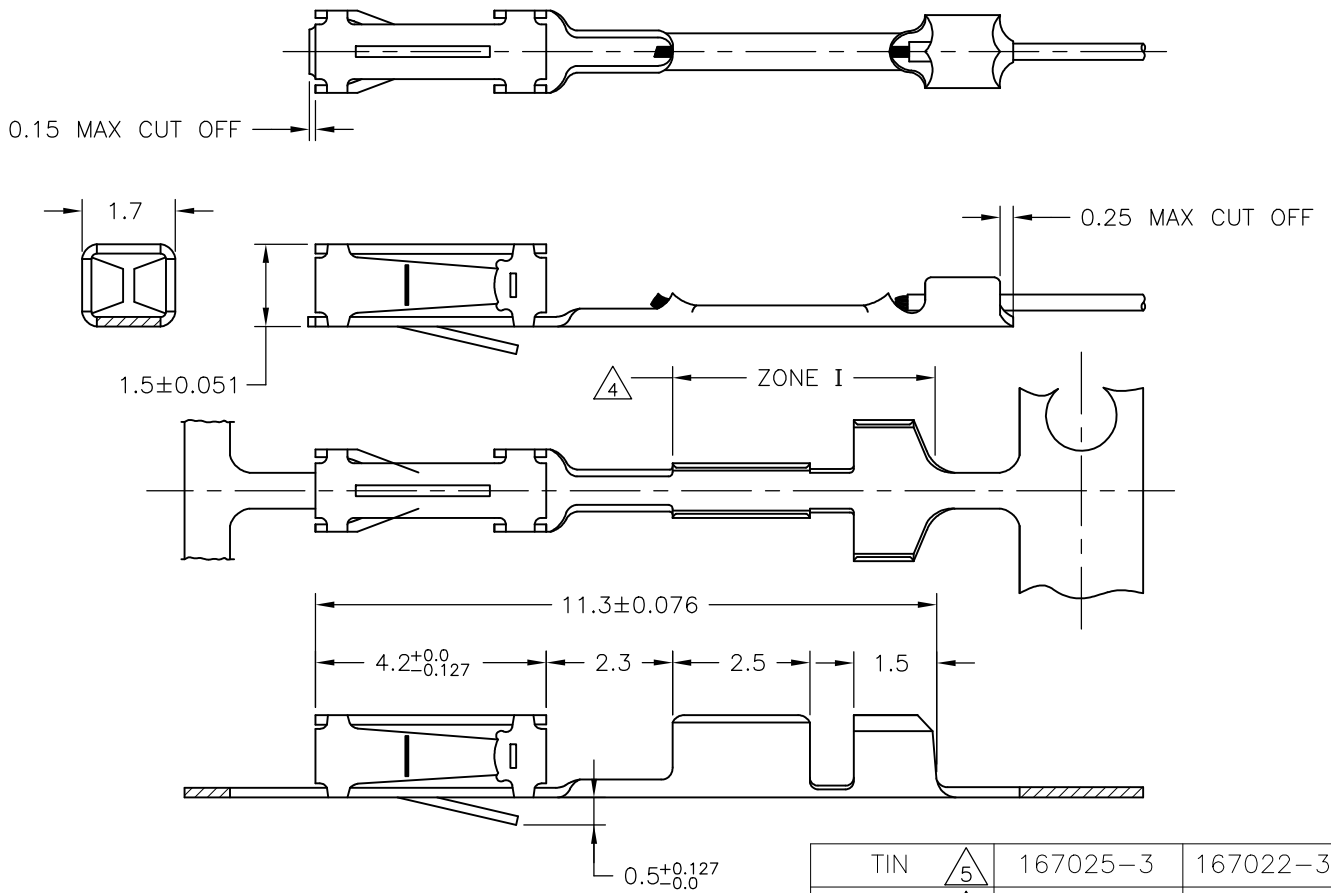
2 UNDERCOATING 1.25μM Ni, SELECTIVE 0.8μM Au, NO GOLD FLASH

3 UNDERCOATING 1.25μM Ni, SELECTIVE 0.8μM Au, REMAINDER GOLD FLASH

4 ZONE I BRIGHT TIN/LEAD PLATED


5 PRE TIN PLATED 2.0μM

6 MATERIAL: PHOS BRONZE



TIN	5	167025-3	167022-3
GOLD	3	167025-2	167022-2
GOLD	4/2	167025-1	167022-1
PLATING		LOOSE PIECE	ORDER NO

WIRE RANGE: 28-32 AWG 0.03-0.09 mm ²	INSUL. RANGE: .020-.040 0.5-1.02 DIA
---	--

DIMENSIONS: mm	DWN RAVI S 15JUN2018	MATERIAL	FINISH	
	CHK OLSON JOSEPH 15JUN2018	 TE Connectivity Ltd.		
TOLERANCES UNLESS OTHERWISE SPECIFIED:	APVD OLSON JOSEPH 15JUN2018			NAME AMP MODUMODV RECEPTACLE
	0 PLC ± -	PRODUCT SPEC	RESTRICTED TO	
1 PLC ± -	APPLICATION SPEC	SIZE A4	CAGE CODE 00779	DRAWING NO C-167022
2 PLC ± -	WEIGHT	SCALE 1:1		
3 PLC ± -	CUSTOMER DRAWING	SHEET 1 OF 1		
4 PLC ± -		REV A		
ANGLES ± -				

THIS DRAWING IS UNPUBLISHED. ALL RIGHTS RESERVED. © COPYRIGHT - TE Connectivity Ltd.