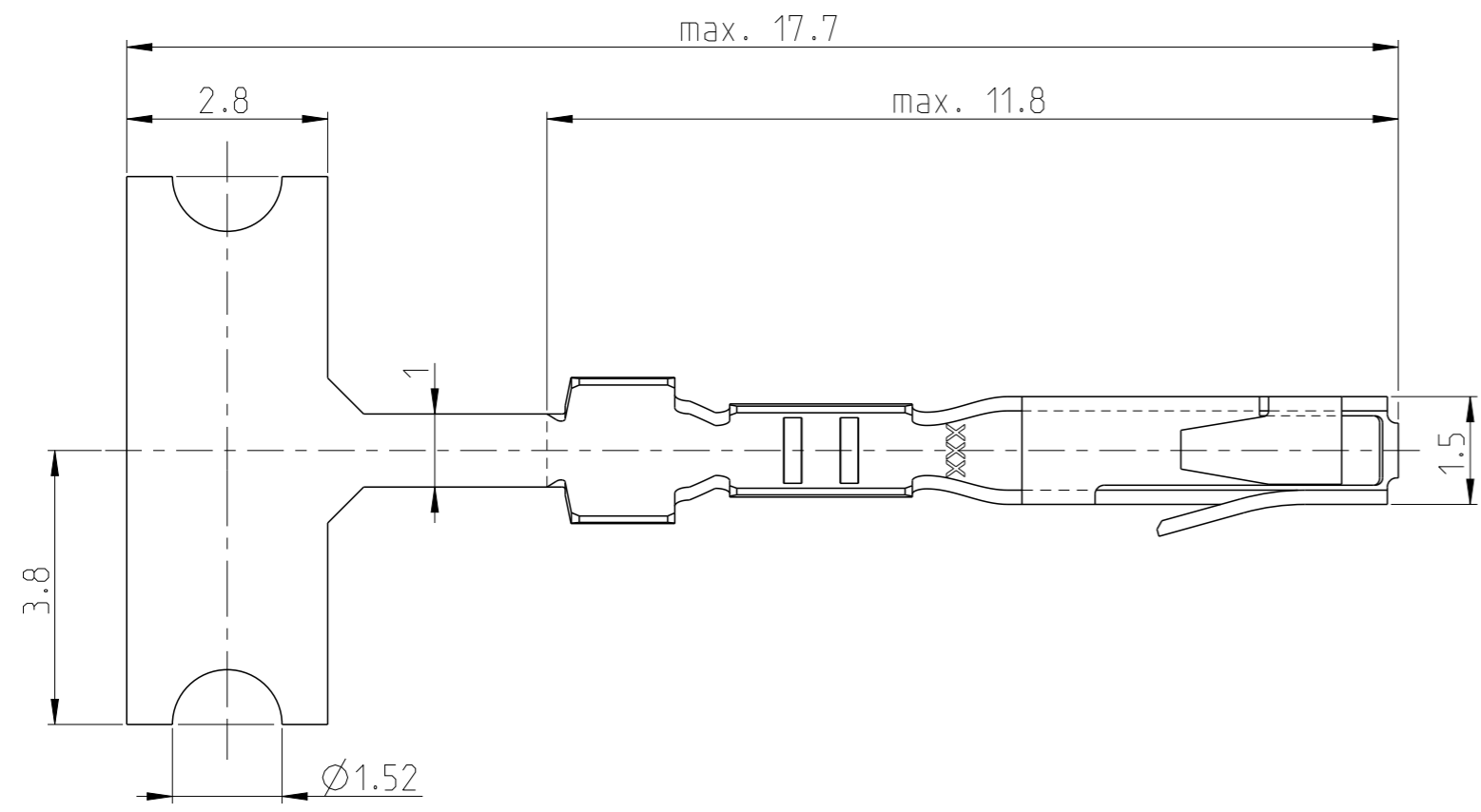
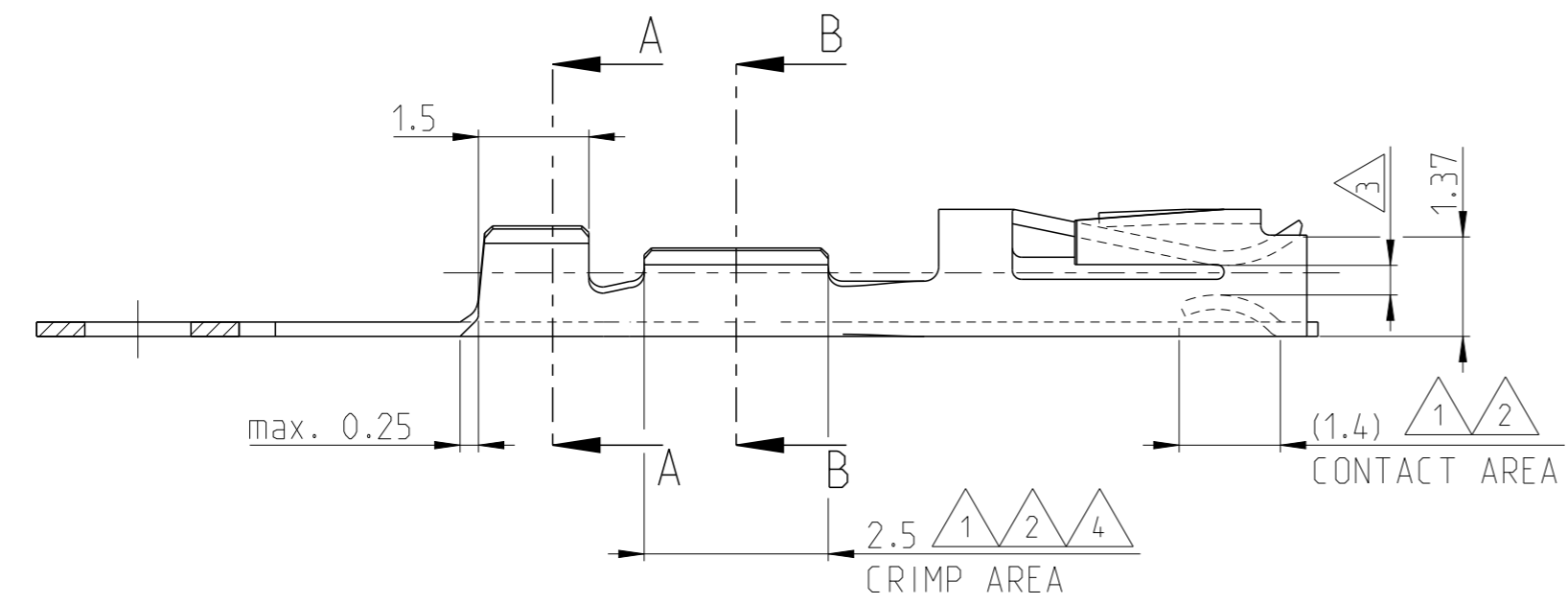


REVISIONS				
P	LTR	DESCRIPTION	DATE	APVD
	E	EH-0760-96	28JUNE1996	J.G. R.v.L.
	E1	ECO-09-021510	15SEP2009	KK AEG
	E2	NEW DRAWING CREATED IN CREO	26JUNE2014	JB JH BRUN



NOTES:

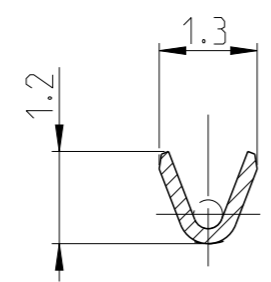
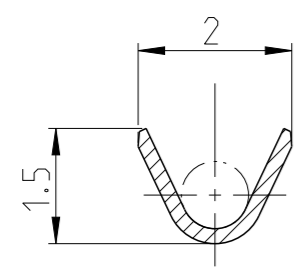
- 1 UNDERCOATING: 0.8 µm NICKEL OVERALL.  
CONTACT AREA: 0.8 µm GOLD.  
CRIMP AREA: GOLDFLASH
- 2 UNDERCOATING: 0.8 µm NICKEL OVERALL.  
CONTACT AREA: 1.25 µm GOLD.  
CRIMP AREA: GOLDFLASH
- 3 SUITABLE FOR 0.64x0.64 POST.
- 4 UNDERCOATING: 0.8 µm NICKEL OVERALL.  
CONTACT AREA: 0.4 µm GOLD.  
CRIMP AREA: GOLDFLASH.
- 5 ADVANCED PROD. NRS. FOR DIN 41612 PART 5 SPEC.
- 6 OBSOLETE PARTS: OBSOLETE CIS STREAMLINING PER D.RENAUD/D.SINISI.



WIRE RANGE:  
28-32 AWG  
0.03-0.09 mm<sup>2</sup>  
INSULATION RANGE:  
0.5-1.02 DIA.

SECTION A-A

SECTION B-B



5 167042-4	4	PHOSPHORBRONZE	6 167041-7
6 167042-2	2		6 167041-4
167042-1	1		167041-2
LOOSE PIECE NUMBER	PLATING	MATERIAL	STRIPNUMBER

THIS DRAWING IS A CONTROLLED DOCUMENT.		DWN J.Gibbels 22FEB1991
DIMENSIONS: mm		CHK R.v.Lokven
TOLERANCES UNLESS OTHERWISE SPECIFIED: n. ISO 8015 n. ISO 2768-mH		APVD R.Smeets
0 PLC	±	PRODUCT SPEC
1 PLC	±	APPLICATION SPEC
2 PLC	±	
3 PLC	±	
4 PLC	±	
ANGLES	±	
MATERIAL	FINISH	WEIGHT
-	-	-

**STE** TE Connectivity

NAME: STANDARD TANDEM SPRING RECEPTACLE

SIZE	CAGE CODE	DRAWING NO	RESTRICTED TO
A3	00779	©-167041	-

Customer Drawing SCALE 10:1 SHEET 1 OF 1 REV E2