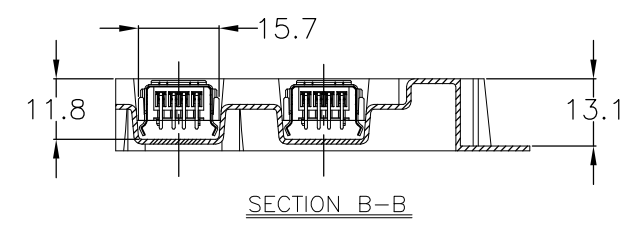
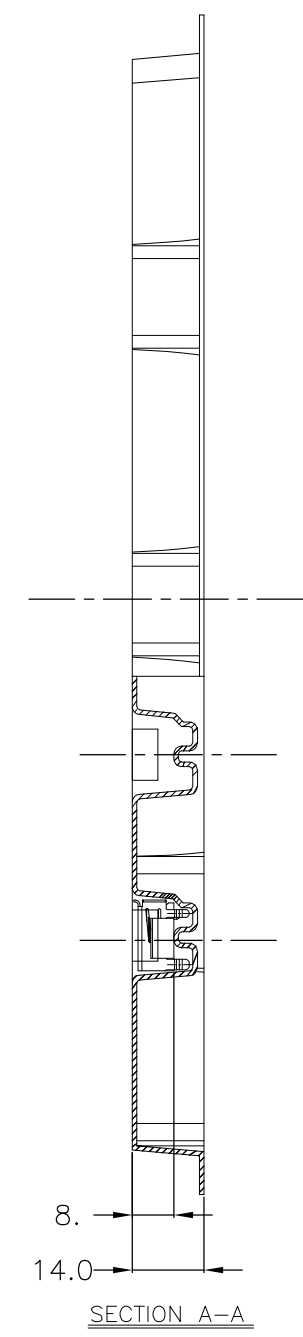
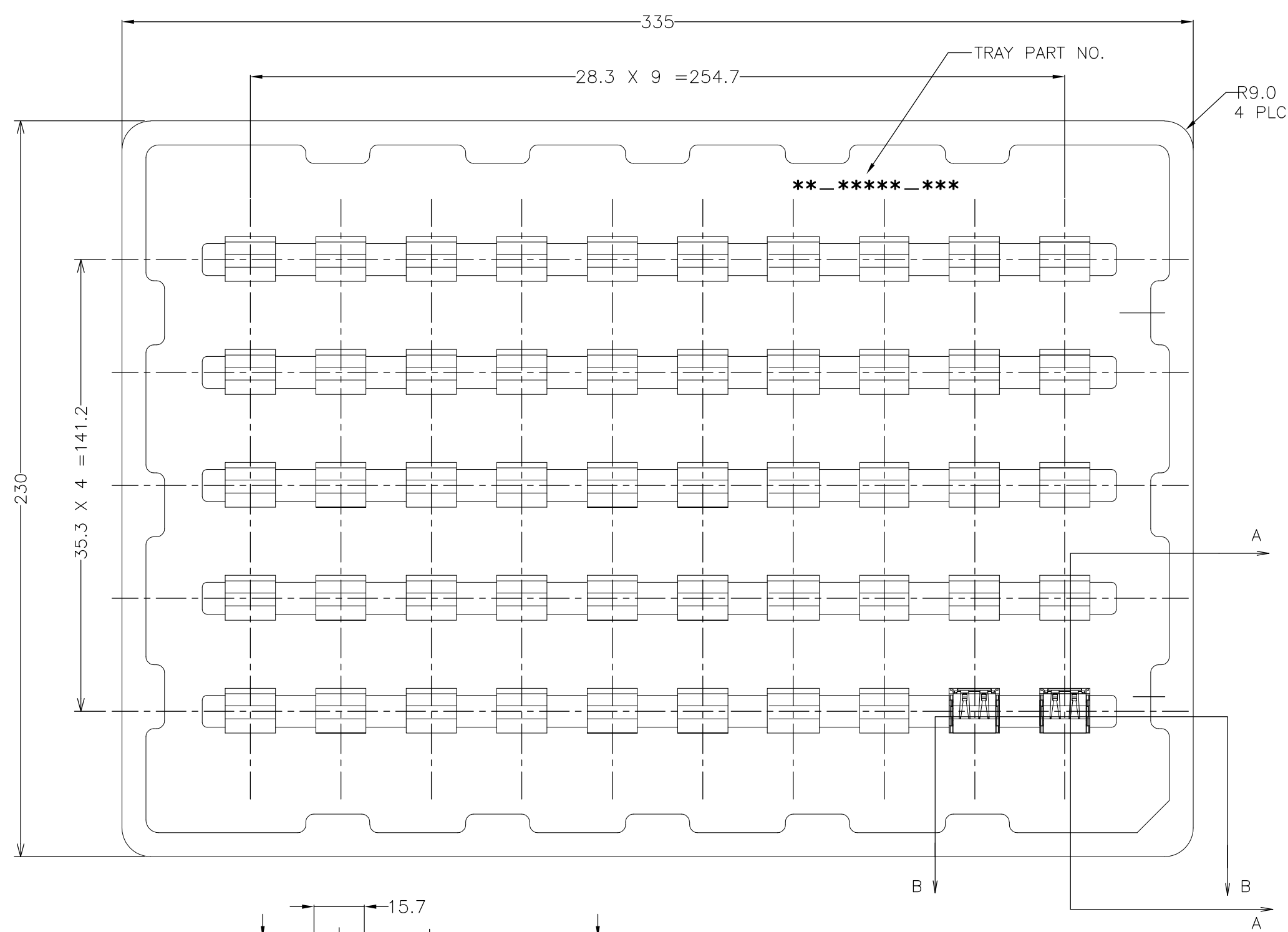


THIS DRAWING IS UNPUBLISHED. RELEASED FOR PUBLICATION
 © COPYRIGHT BY TYCO ELECTRONICS CORPORATION. ALL RIGHTS RESERVED.

LOC ES	DIST -	REVISIONS			
P	LTR	DESCRIPTION	DATE	DWN	APVD
	B1	REVISED PER ECR-19-001024	29JAN19	T.Z	S.L



PART NUMBER	STATUS
1674459-4	PRELIMINARY

THIS DRAWING IS A CONTROLLED DOCUMENT.

DIMENSIONS: mm

TOLERANCES UNLESS OTHERWISE SPECIFIED:

0 PLC	± 0.30
1 PLC	± 0.30
2 PLC	± -
3 PLC	± -
4 PLC	± -
ANGLES	± 2'
FINISH	

MATERIAL

DWN	AMOS ZHU	28NOV08
CHK	MARTIN LI	28NOV08
APVD	STEVEN YAO	28NOV08
PRODUCT SPEC	108-60053	
APPLICATION SPEC	-	
WEIGHT	-	
CUSTOMER DRAWING		

		Tyco Electronics Corporation Shanghai, P.R.China, 200233	
TRAY REC. ASS'Y R/A DIP HIGH DURABILITY TYPE USB CONNECTOR			
SIZE	CAGE CODE	DRAWING NO	RESTRICTED TO
A3	00779	C-1674459	
SCALE	SHEET	OF	REV
1:1	1	3	B1

4

3

2

1

THIS DRAWING IS UNPUBLISHED.

RELEASED FOR PUBLICATION

© COPYRIGHT - BY TYCO ELECTRONICS CORPORATION.

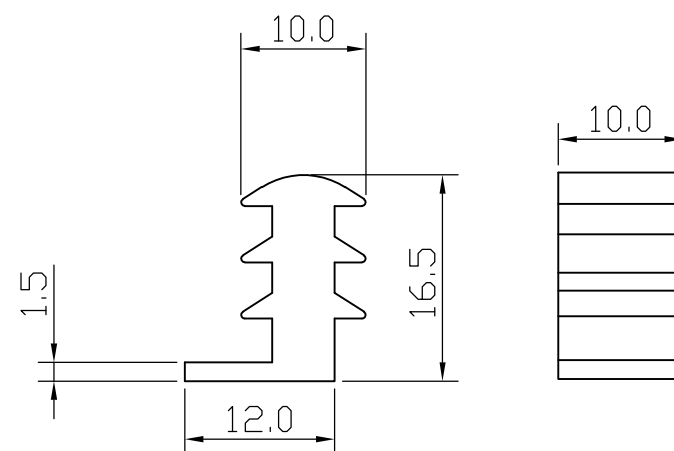
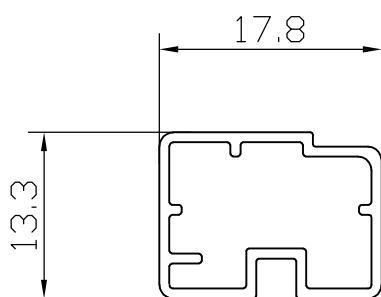
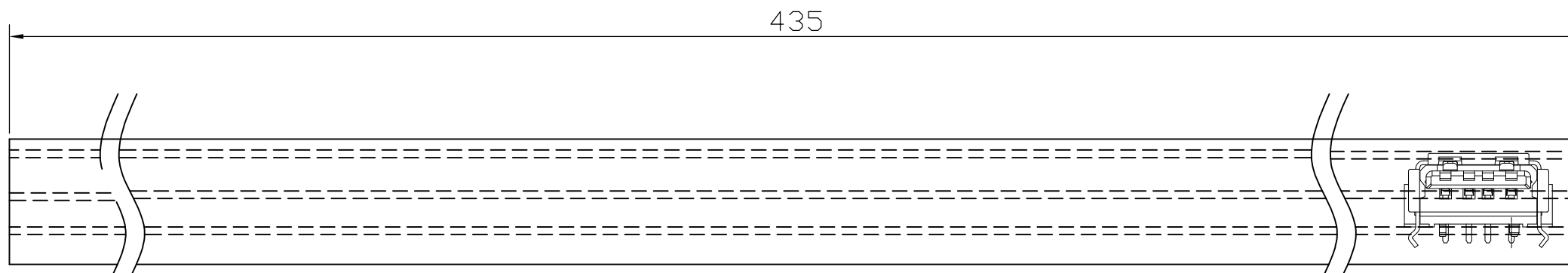
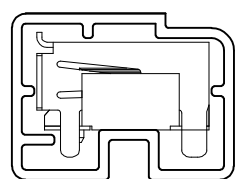
ALL RIGHTS RESERVED.

LOC
ES

DIST
-

REVISIONS

P	LTR	DESCRIPTION	DATE	DWN	APVD
-	-	SEE SHEET 1	-	-	-



THIS DRAWING IS A CONTROLLED DOCUMENT.

DWN AMOS ZHU 28NOV08

CHK MARTIN LI 28NOV08

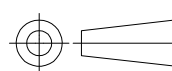
APVD STEVEN YAO 28NOV08



Tyco Electronics Corporation
Shanghai, P.R.China, 200233

DIMENSIONS: mm
TOLERANCES UNLESS OTHERWISE SPECIFIED:

- 0 PLC ± 1.0
- 1 PLC ± 1.0
- 2 PLC ± -
- 3 PLC ± -
- 4 PLC ± -
- ANGLES ± 2°



MATERIAL

FINISH

PRODUCT SPEC

APPLICATION SPEC

WEIGHT -

NAME
TRAY REC. ASS'Y R/A DIP
HIGH DURABILITY TYPE USB CONNECTOR

SIZE	CAGE CODE	DRAWING NO	RESTRICTED TO
A3	00779	C-1674459	

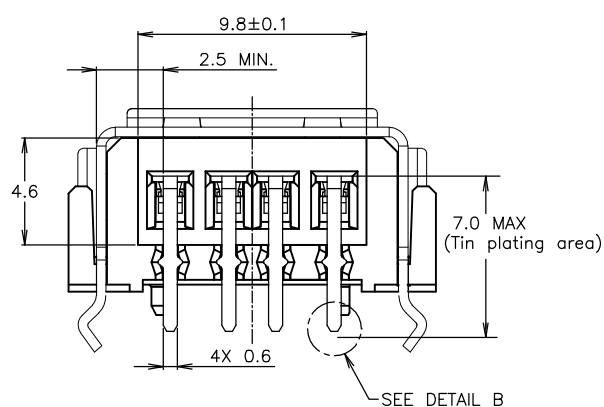
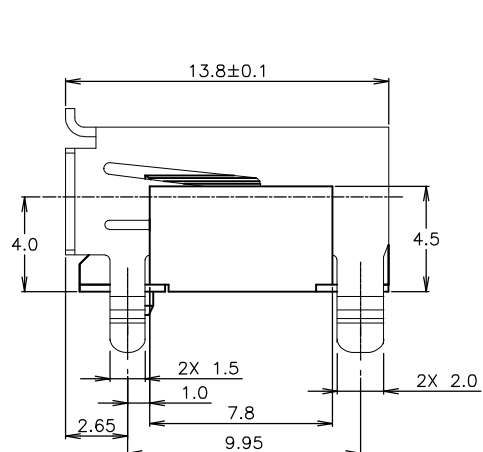
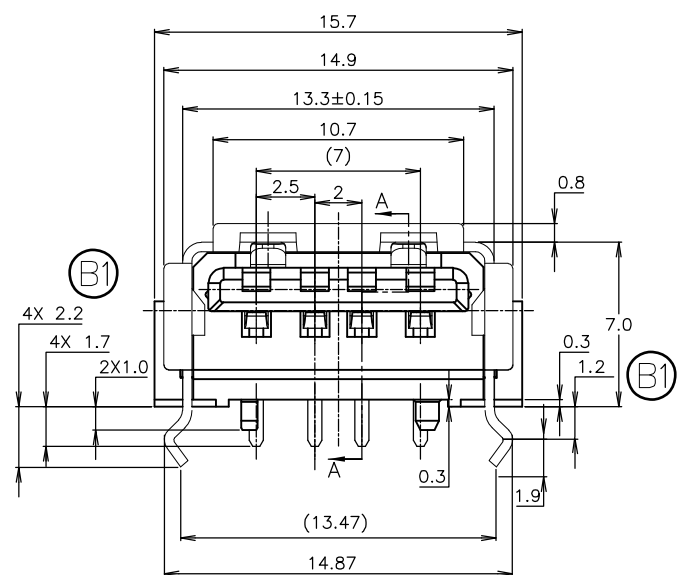
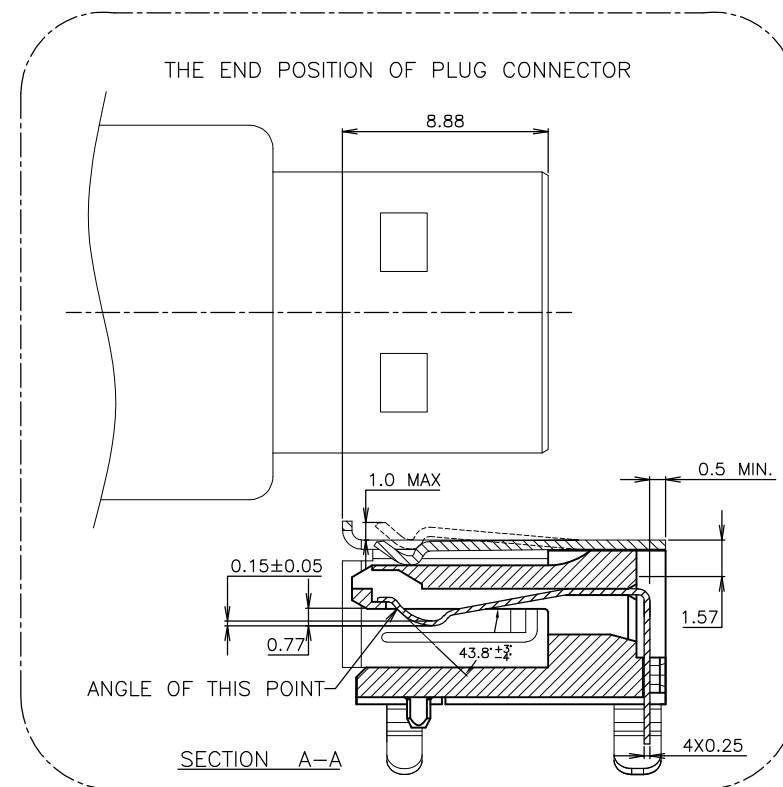
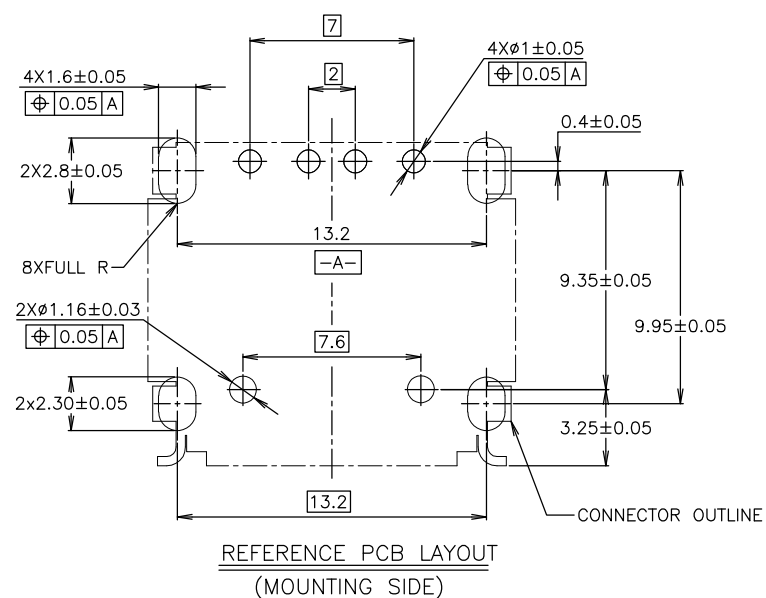
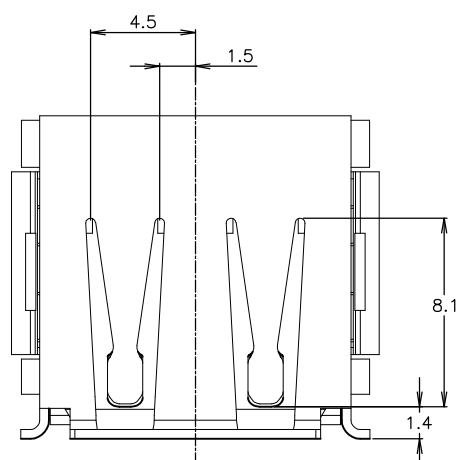
PART NUMBER	STATUS
2-1674459-4	PRELIMINARY

CUSTOMER DRAWING SCALE 1:1 SHEET 2 OF 3 REV B1

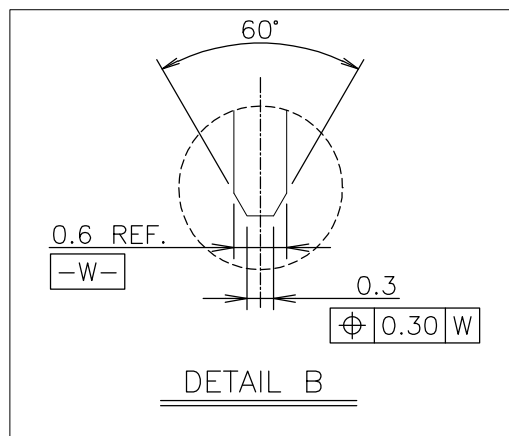
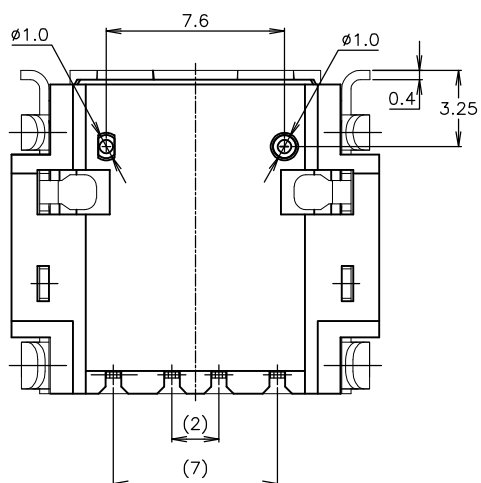
THIS DRAWING IS UNPUBLISHED. RELEASED FOR PUBLICATION

© COPYRIGHT BY TYCO ELECTRONICS CORPORATION. ALL RIGHTS RESERVED.

LOC	DIST	REVISIONS					
ES	—	P	LTR	DESCRIPTION	DATE	DWN	APVD
		—		SEE SHEET 1	—	—	—



- NOTES
- ① MATERIAL & FINISH
CONTACT: COPPER ALLOY
Au PL. AT CONTACT AREA OVER Ni PL.
TIN PL. AT TINE AREA OVER Ni PL.
HOUSING: LCP, UL94V-0.
COLOR: NATURAL
 - ② SHELL: STAINLESS STEEL, TIN PL
 - 2. RECOMMENDED P.C.B THICKNESS 1.00±0.05 mm.



THIS DRAWING IS A CONTROLLED DOCUMENT.

DWN	AMOS ZHU	28NOV08	 Tyco Electronics Corporation Shanghai, P.R.China, 200233			
CHK	MARTIN LI	28NOV08				
APVD	STEVEN YAO	28NOV08				
NAME	TRAY REC. ASS'Y R/A DIP HIGH DURABILITY TYPE USB CONNECTOR					
PRODUCT SPEC	108-60053		SIZE	CAGE CODE	DRAWING NO	RESTRICTED TO
APPLICATION SPEC	-		A3	00779	C-1674459	
MATERIAL	FINISH		WEIGHT	CUSTOMER DRAWING		
DIMENSIONS: mm		TOLERANCES UNLESS OTHERWISE SPECIFIED:	SCALE 1:1			
0 PLC ± 0.30		1 PLC ± 0.30	SHEET 3 OF 3			
2 PLC ± -		2 PLC ± -	REV B1			
3 PLC ± -		3 PLC ± -				
4 PLC ± -		4 PLC ± -				
ANGLES ± 2'		ANGLES ± 2'				