

4

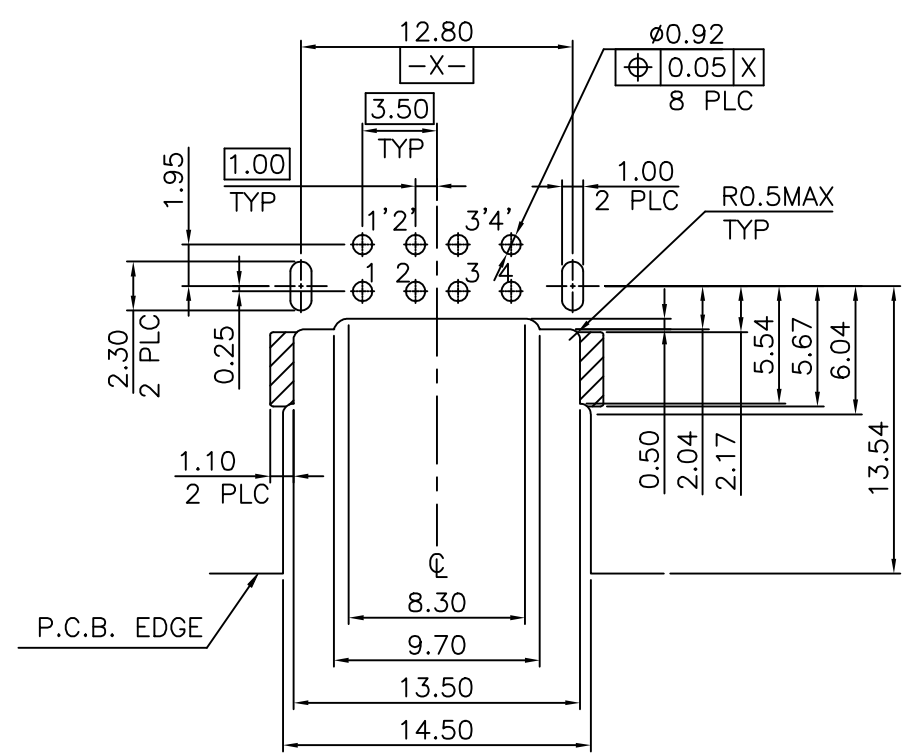
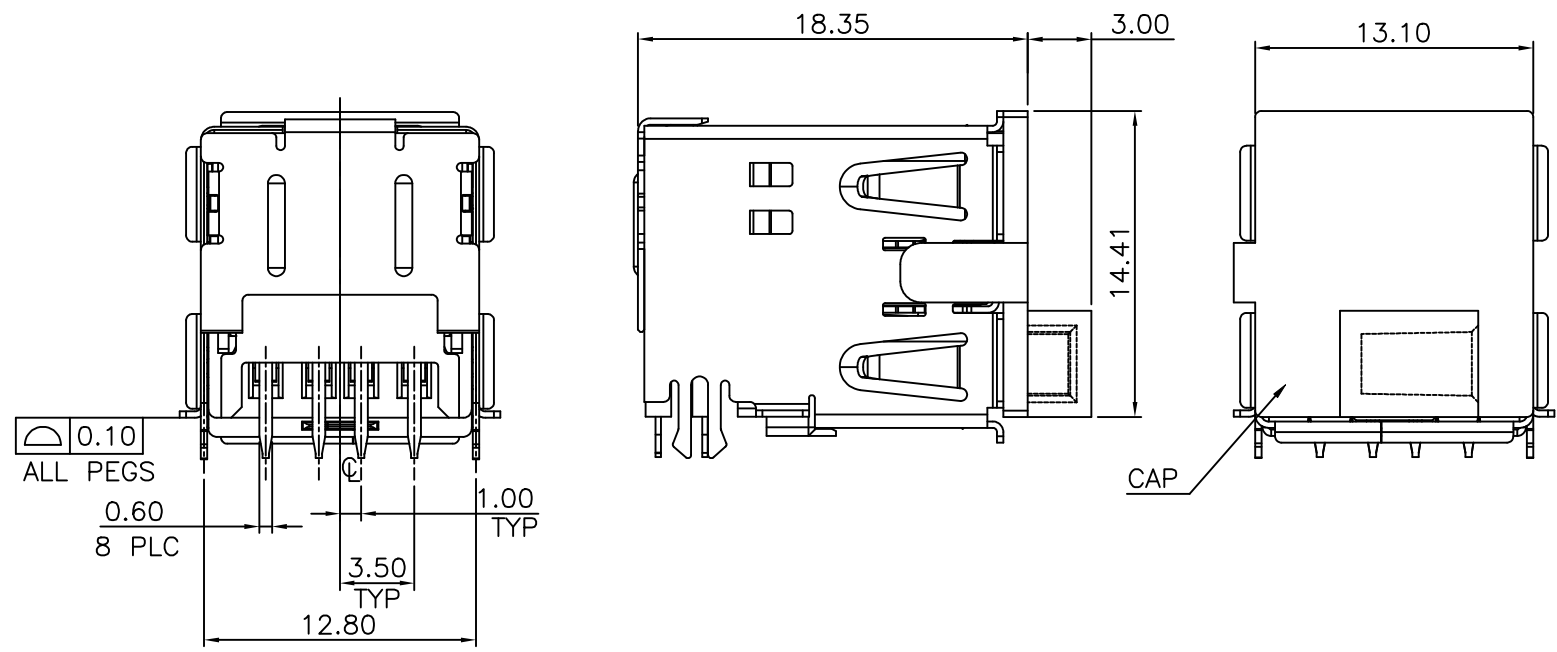
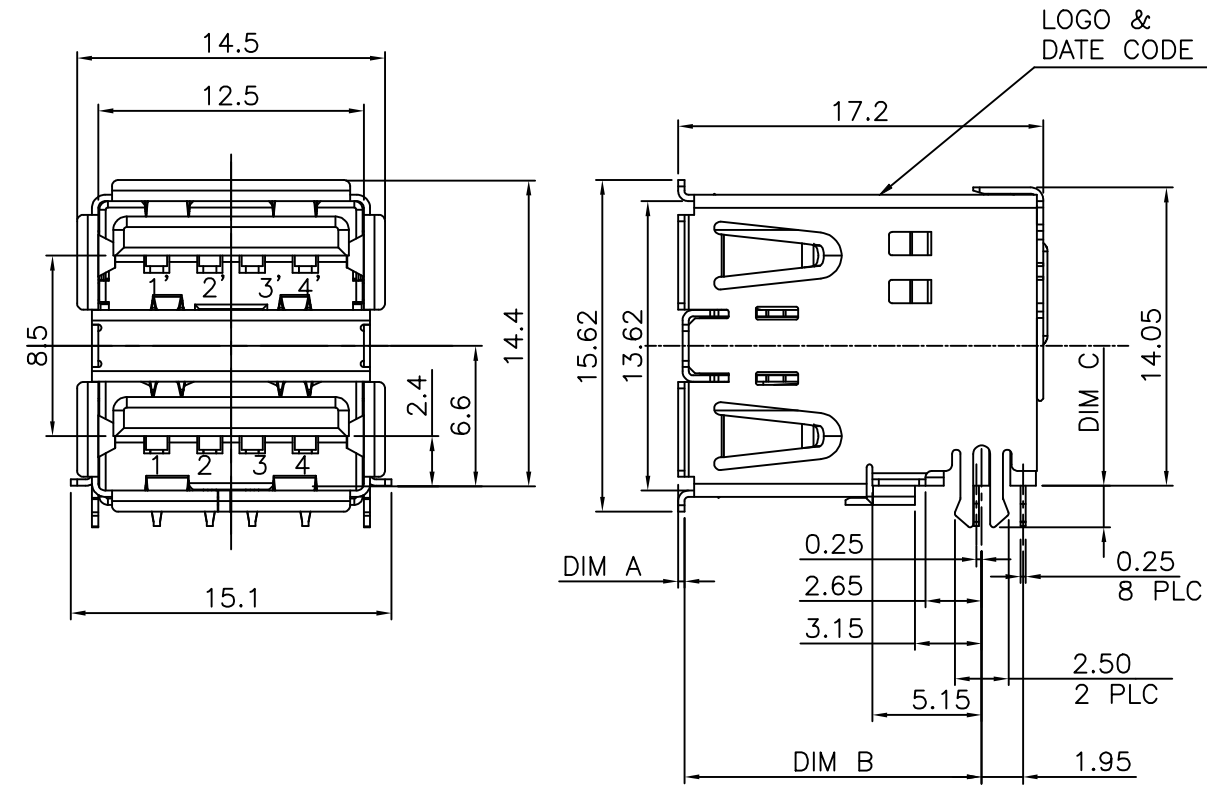
3

2

1

THIS DRAWING IS UNPUBLISHED. RELEASED FOR PUBLICATION  
 © COPYRIGHT BY TYCO ELECTRONICS CORPORATION. ALL RIGHTS RESERVED.

LOC	DIST	REVISIONS			
P	LTR	DESCRIPTION	DATE	DWN	APVD
DW		G8	REVISED (ECR-18-009050)	05JUL18	T.Z S.L



RECOMMEND P.C.B LAYOUT (THICKNESS 1.2~1.4mm)  
 (COMPONENT SIDE) TOLERANCE ±0.05mm

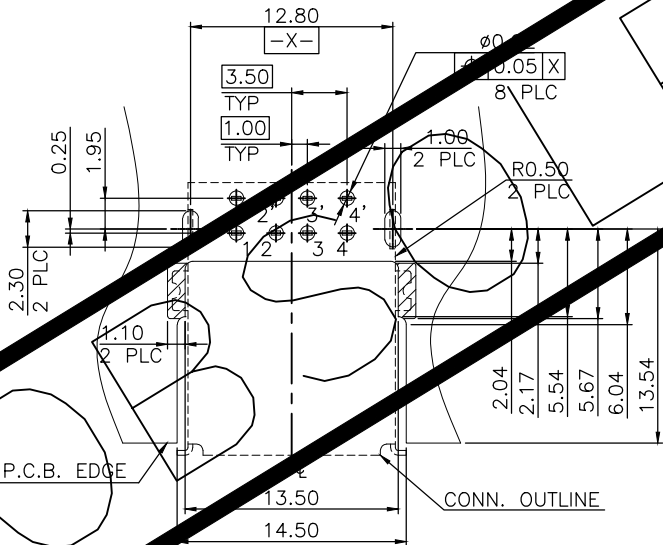
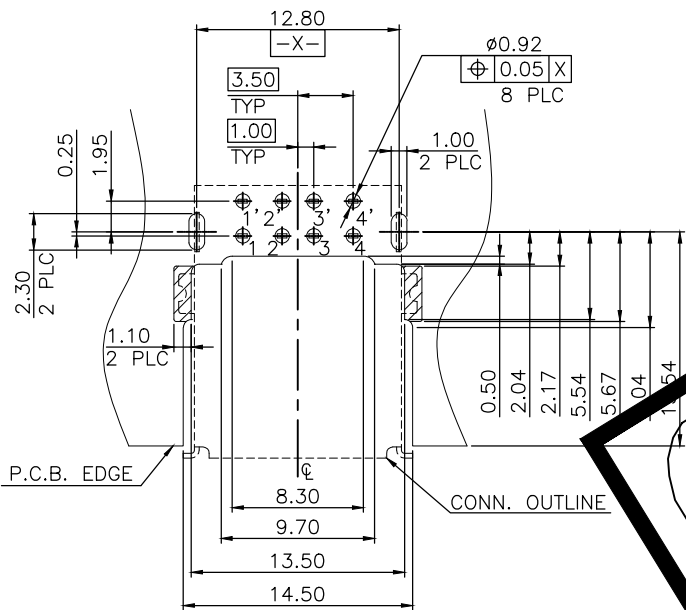
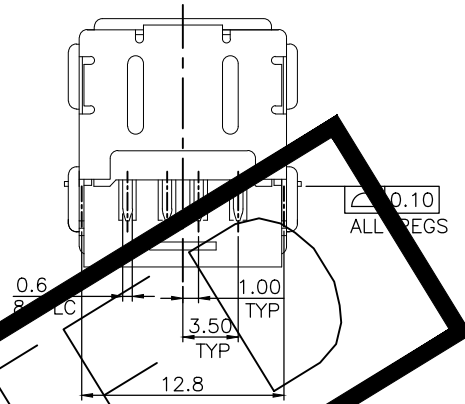
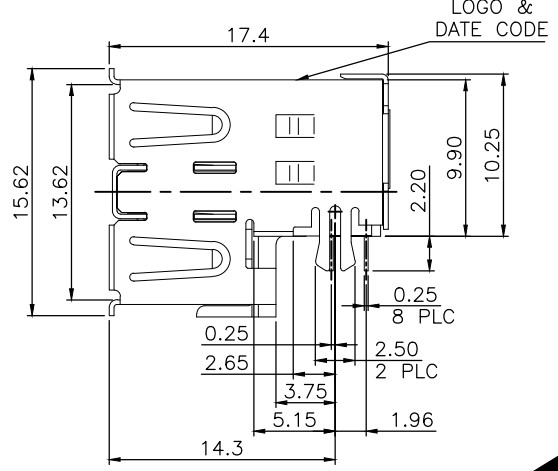
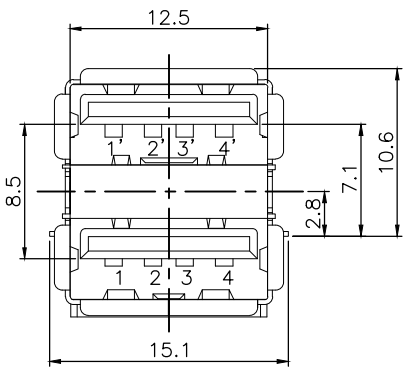
- NOTES:
- MATERIAL:
    - HOUSING: PA9T WITH 33% GF, UL 94V-0 RATED, BLACK COLOR.
    - SPACER: PA9T WITH 33% GF, UL 94V-0 RATED, BLACK COLOR.
    - CAP: PA9T WITH 33% GF, UL 94V-0 RATED, BLACK COLOR.
    - CONTACT: PHOSPHOR BRONZE.
    - FRONT SHIELD: SUS304 1/2H.
    - REAR SHIELD: SPCC
    - GROUNDING STRIP: SUS304 1/2H
  - FINISH:
    - CONTACT: 0.762mm [30m"] MIN. GOLD PLATING ON CONTACT AREA.  
3.048mm [120m"] MIN. MATTE TIN PLATING ON SOLDER TAILS, WITH ENTIRE CONTACT UNDERPLATED 1.27mm [50m"] MIN. NICKEL.
    - FRONT SHIELD: 0.762mm [30m"] MIN. SOLERABLE NICKEL PLATING OVERALL.
    - REAR SHIELD: 0.762mm [30m"] MIN. NICKEL PLATING.  
0.762mm [30m"] MIN. Cu UNDER PLATING OVERALL.
    - GROUNDING STRIP: 0.762mm [30m"] MIN. SOLDERABLE NICKEL PLATING OVERALL.
  - REFLOW SOLDER CAPABLE TO 260°C PER TE SPEC 109-201, CONDITION B.

DIM C	DIM B	DIM A	CAP	PACKAGE	PART NUMBER	NOTE
1.90	14.30	0	W/	TAPE & REEL	1734062-3	
2.20	13.95	0.35	W/O	TUBE	1734062-2	OBSOLETE
				TAPE & REEL	1734062-1	OBSOLETE

THIS DRAWING IS A CONTROLLED DOCUMENT.		DWN	F. YANG	10SEP2009	TE Connectivity	
		CHK	S. CHIEN	10SEP2009		
		APVD	W. KODAMA	10SEP2009	NAME	
DIMENSIONS: MM		PRODUCT SPEC			USB CONNECTOR, A SERIES, STACKED, OFFSET TYPE	
TOLERANCES UNLESS OTHERWISE SPECIFIED:		QUALIFICATION TEST REPORT			RESTRICTED TO	
0 PLC ± - 1 PLC ± 0.35 2 PLC ± 0.25 3 PLC ± - 4 PLC ± - ANGLES ± 3°		108-57481 501-57557			SIZE	A3
MATERIAL SEE NOTE		FINISH SEE NOTE			WEIGHT	4.71 GRAMS
		CUSTOMER DRAWING			CAGE CODE	A300779
					DRAWING NO	C=1734062
					SCALE	1 of 24
					SHEET	REV G8

THIS DRAWING IS UNPUBLISHED. RELEASED FOR PUBLICATION  
 © COPYRIGHT BY TYCO ELECTRONICS CORPORATION. ALL RIGHTS RESERVED.

LOC DW	DIST	REVISIONS					
		P	LTR	DESCRIPTION	DATE	DWN	APVD
				SEE SHEET 1.			



NOTE:  
 1. MATERIAL:  
 HOUSING: PART WITH 30% GF, UL 94V-0 RATED, BLACK COLOR.  
 SPACER: PART WITH 30% GF, UL 94V-0 RATED, BLACK COLOR.  
 CONTACT: PHOSPHOR BRONZE.  
 FRONT SHIELD: BRASS.  
 REAR SHIELD: SPCC.  
 GROUNDING STRIP: BRASS.  
 FINISH:  
 CONTACT: 0.762µm [30µ"] MIN. GOLD PLATING ON CONTACT AREA.  
 3.048µm [120µ"] MIN. BRIGHT TIN PLATING ON SOLDER TAILS,  
 WITH ENTIRE CONTACT UNDERPLATED 1.27µm [50µ"] MIN. NICKEL.  
 FRONT SHIELD: 0.762µm [30µ"] MIN. NICKEL PLATING.  
 0.762µm [30µ"] MIN. Cu UNDER PLATING OVERALL.  
 REAR SHIELD: 0.762µm [30µ"] MIN. NICKEL PLATING.  
 0.762µm [30µ"] MIN. Cu UNDER PLATING OVERALL.  
 GROUNDING STRIP: 0.762µm [30µ"] MIN. NICKEL PLATING.  
 0.762µm [30µ"] MIN. Cu UNDER PLATING OVERALL.  
 2. REFLOW SOLDER CAPABLE TO 260°C PER TE SPEC 109-201, CONDITION B.

RECOMMEND P.C.B LAYOUT (THICKNESS 1.2~1.4mm)  
 (COMPONENT SIDE) TOLERANCE±0.05mm

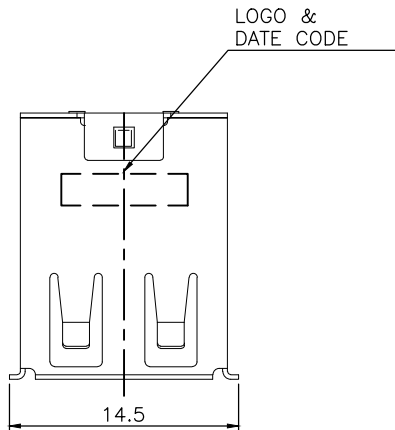
RECOMMEND P.C.B LAYOUT (THICKNESS 1.2~1.4mm)  
 (COMPONENT SIDE) TOLERANCE±0.05mm

OBSOLETE	TUBE	1-1734062-2
OBSOLETE	TAPE & REEL	1-1734062-1
NOTE	PACKAGE	PART NUMBER

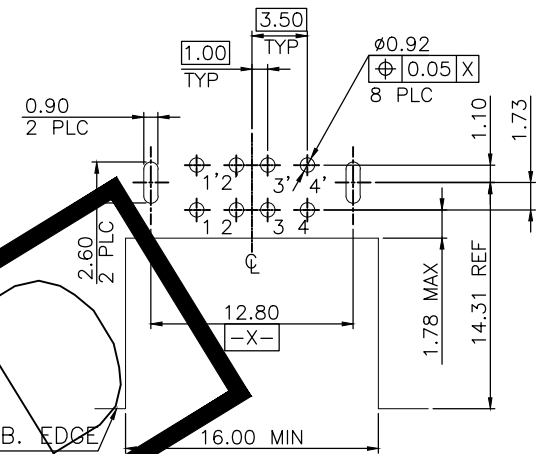
THIS DRAWING IS A CONTROLLED DOCUMENT.		DWN		TE Connectivity	
DIMENSIONS: MM		CHK			
TOLERANCES UNLESS OTHERWISE SPECIFIED:		APVD		NAME	
0 PLC ± 0.35 1 PLC ± 0.35 2 PLC ± 0.25 3 PLC ± 0.25 4 PLC ± 0.25 ANGLES ± 3°		PRODUCT SPEC		USB CONNECTOR, A SERIES, STACKED, OFFSET TYPE	
MATERIAL SEE NOTE		QUALIFICATION TEST REPORT		SIZE	RESTRICTED TO
FINISH SEE NOTE		WEIGHT 4.71 GRAMS		CAGE CODE A300779	DRAWING NO C-1734062
		CUSTOMER DRAWING		SCALE	SHEET 2 of 24
				REV G8	

THIS DRAWING IS UNPUBLISHED. RELEASED FOR PUBLICATION  
 © COPYRIGHT BY TYCO ELECTRONICS CORPORATION. ALL RIGHTS RESERVED.

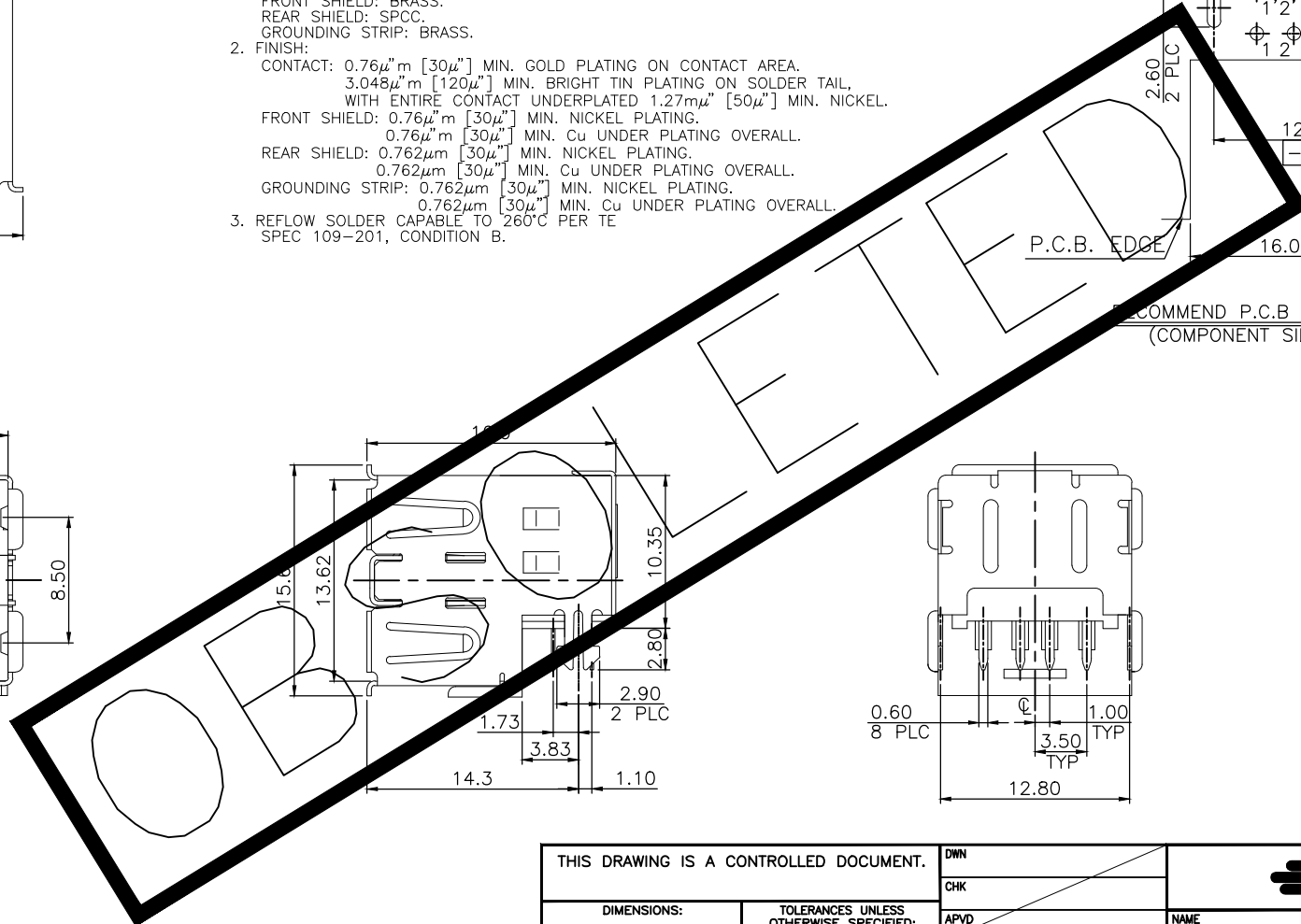
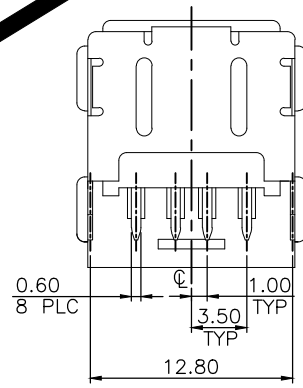
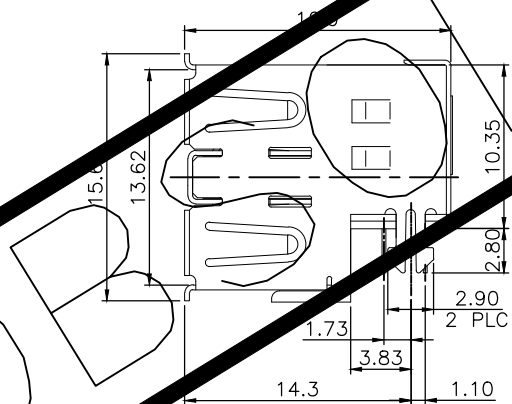
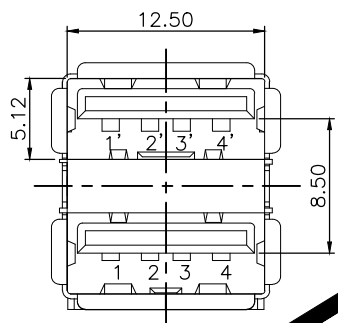
LOC	DIST	REVISIONS					
DW		P	LTR	DESCRIPTION	DATE	DWN	APVD
				SEE SHEET 1.			



NOTE:  
 1. MATERIAL:  
 HOUSING: PA9T WITH 30% GF, UL 94V-0 RATED, BLACK COLOR.  
 SPACER: PA9T WITH 30% GF, UL 94V-0 RATED, BLACK COLOR.  
 CONTACT: PHOSPHOR BRONZE.  
 FRONT SHIELD: BRASS.  
 REAR SHIELD: SPCC.  
 GROUNDING STRIP: BRASS.  
 2. FINISH:  
 CONTACT: 0.76μm [30μ"] MIN. GOLD PLATING ON CONTACT AREA.  
 3.048μm [120μ"] MIN. BRIGHT TIN PLATING ON SOLDER TAIL,  
 WITH ENTIRE CONTACT UNDERPLATED 1.27μm [50μ"] MIN. NICKEL.  
 FRONT SHIELD: 0.76μm [30μ"] MIN. NICKEL PLATING.  
 0.76μm [30μ"] MIN. Cu UNDER PLATING OVERALL.  
 REAR SHIELD: 0.762μm [30μ"] MIN. NICKEL PLATING.  
 0.762μm [30μ"] MIN. Cu UNDER PLATING OVERALL.  
 GROUNDING STRIP: 0.762μm [30μ"] MIN. NICKEL PLATING.  
 0.762μm [30μ"] MIN. Cu UNDER PLATING OVERALL.  
 3. REFLOW SOLDER CAPABLE TO 260°C PER TE  
 SPEC 109-201, CONDITION B.



RECOMMEND P.C.B LAYOUT (THICKNESS 1.2mm)  
 (COMPONENT SIDE) TOLERANCE ±0.05mm



OBSOLETE	TRAY	2-1734062-2
OBSOLETE	TUBE	2-1734062-1
	PACKAGE	PART NUMBER

THIS DRAWING IS A CONTROLLED DOCUMENT.		DWN		TE Connectivity	
DIMENSIONS: MM		CHK			
TOLERANCES UNLESS OTHERWISE SPECIFIED:		APVD		NAME	
0 PLC ± - 1 PLC ± 0.35 2 PLC ± 0.25 3 PLC ± - 4 PLC ± - ANGLES ± 3°		PRODUCT SPEC		USB CONNECTOR, A SERIES, STACKED, OFFSET TYPE	
MATERIAL SEE NOTE		FINISH SEE NOTE		QUALIFICATION TEST REPORT	
		WEIGHT 4.71 GRAMS		SIZE A3	CAGE CODE 00779
		CUSTOMER DRAWING		DRAWING NO. C-1734062	RESTRICTED TO
		SCALE		SHEET 3 of 24	REV G8

4

3

2

1

THIS DRAWING IS UNPUBLISHED.

RELEASED FOR PUBLICATION

© COPYRIGHT BY TYCO ELECTRONICS CORPORATION.

ALL RIGHTS RESERVED.

LOC  
DW

DIST

REVISIONS

P	LTR	DESCRIPTION	DATE	DWN	APVD
		SEE SHEET 1.			

NOTES:

MATERIAL:  
HOUSING: PA9T WITH 30% GF, UL 94V-0 RATED, BLACK COLOR.  
SPACER: PA9T WITH 30% GF, UL 94V-0 RATED, BLACK COLOR.  
CONTACT: PHOSPHOR BRONZE.  
FRONT SHIELD: BRASS.  
REAR SHIELD: SPCC.  
GROUNDING STRIP: STAINLESS.

2. FINISH:  
CONTACT: 0.762μm [30μ"] MIN. GOLD PLATING ON CONTACT AREA.  
3.048μm [120μ"] MIN. MATTE TIN PLATING ON SOLDER TAILS,  
1.27μm [50μ"] MIN. NICKEL UNDERPLATED WITH ENTIRE CONTACT.  
FRONT SHIELD: 0.762μm [30μ"] MIN. NICKEL PLATING.  
0.762μm [30μ"] MIN. Cu UNDER PLATING OVERALL.  
REAR SHIELD: 0.762μm [30μ"] MIN. NICKEL PLATING.  
0.762μm [30μ"] MIN. Cu UNDER PLATING OVERALL.

3. FINISH:  
CONTACT: 0.254μm [10μ"] MIN. GOLD PLATING ON CONTACT AREA.  
3.048μm [120μ"] MIN. MATTE TIN PLATING ON SOLDER TAILS,  
1.27μm [50μ"] MIN. NICKEL UNDERPLATED WITH ENTIRE CONTACT.  
FRONT SHIELD: 0.762μm [30μ"] MIN. NICKEL PLATING.  
0.762μm [30μ"] MIN. Cu UNDER PLATING OVERALL.  
SPUTTERING/BLACK PLATING IN FRONT SURFACE.  
REAR SHIELD: 0.762μm [30μ"] MIN. NICKEL PLATING.  
0.762μm [30μ"] MIN. Cu UNDER PLATING OVERALL.  
GROUNDING STRIP: SPUTTERING/BLACK PLATING IN FRONT SURFACE.

4. REFLOW SOLDER CAPABLE TO 260°C PER TE SPEC 109-201, CONDITION B.

RECOMMENDED MOUNT DIMENSION

RECOMMEND P.C.B LAYOUT (THICKNESS 1.4~1.6mm)  
(COMPONENT SIDE) TOLERANCE ±0.05mm

OBSOLETE	△3	TAPE & REEL	3-1734062-4
OBSOLETE	△2	TAPE & REEL	3-1734062-3
	△2	TUBE	3-1734062-2
	△2	TRAY	3-1734062-1
		FINISH	PACKAGE
			PART NUMBER

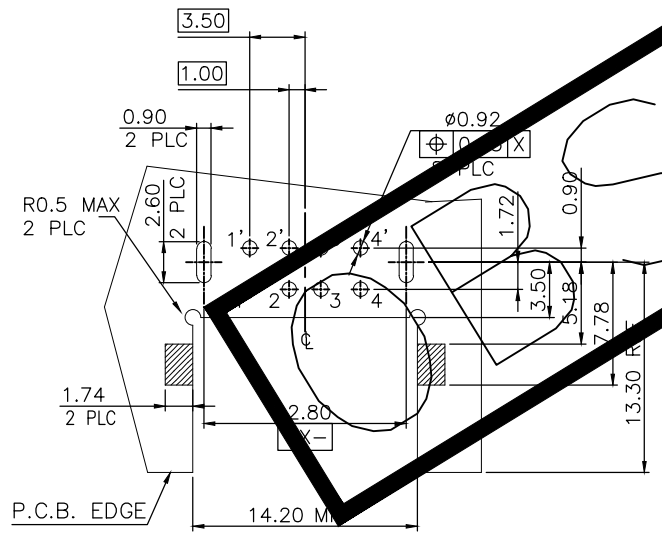
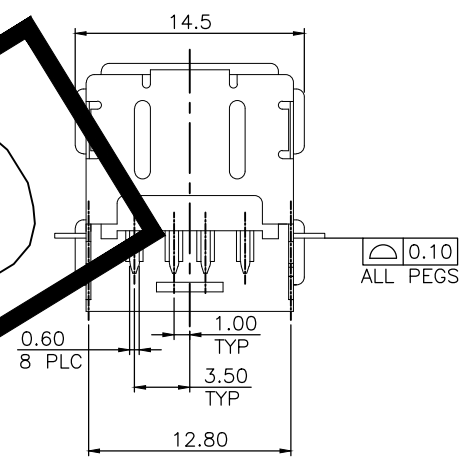
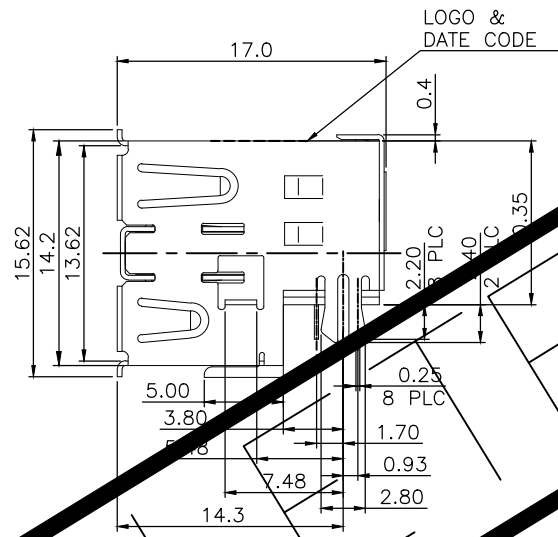
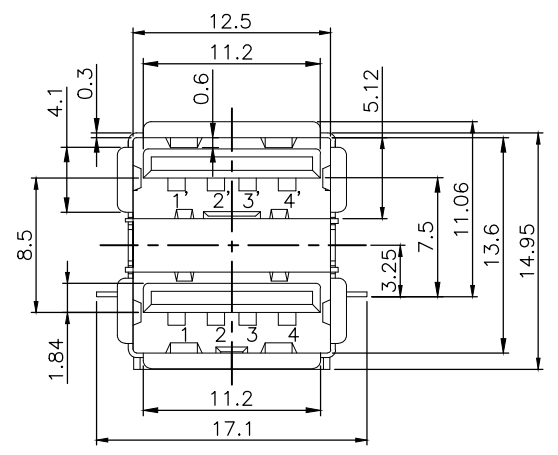
THIS DRAWING IS A CONTROLLED DOCUMENT.		DWN		TE Connectivity	
DIMENSIONS:		CHK		NAME	
MM		APVD		PRODUCT SPEC	
0 PLC ±		QUALIFICATION TEST REPORT		SIZE	
1 PLC ±0.35		WEIGHT		CAGE CODE	
2 PLC ±0.25		4.71 GRAMS		DRAWING NO	
3 PLC ±		CUSTOMER DRAWING		RESTRICTED TO	
4 PLC ±		SCALE		SHEET	
ANGLES ±3'		—		4 of 24	
MATERIAL		FINISH		REV	
SEE NOTE		SEE NOTE		G8	
		A300779		C-1734062	

AMP 1470-19 REV 31MAR2000



THIS DRAWING IS UNPUBLISHED. RELEASED FOR PUBLICATION  
 © COPYRIGHT BY TYCO ELECTRONICS CORPORATION. ALL RIGHTS RESERVED.

LOC	DIST	REVISIONS			
P	LTR	DESCRIPTION	DATE	DWN	APVD
DW		SEE SHEET 1.			



- NOTES:
- MATERIAL:  
 HOUSING: PA9T WITH 30% GF, UL 94V-0 RATED, BLACK COLOR.  
 SPACER: PA9T WITH 30% GF, UL 94V-0 RATED, BLACK COLOR.  
 CONTACT: PHOSPHOR BRONZE.  
 FRONT SHIELD: SUS.  
 REAR SHIELD: SPCC.  
 GROUNDING STRIP: SUS.
  - FINISH:  
 CONTACT: 0.762µm [30µ"] MIN. GOLD PLATING ON CONTACT AREA.  
 3.048µm [120µ"] MIN. BRIGHT TIN PLATING ON SOLDER TAILS.  
 WITH ENTIRE CONTACT UNDERPLATED 1.27µm [50µ"] MIN. NICKEL.  
 FRONT SHIELD: 0.762µm [30µ"] MIN. NICKEL PLATING OVERALL.  
 REAR SHIELD: 0.762µm [30µ"] MIN. NICKEL PLATING.  
 0.762µm [30µ"] MIN. Cu UNDER PLATING OVERALL.
  - REFLOW SOLDER CAPABLE TO 260°C PER TE SPEC 109-201, CONDITION B.

RECOMMENDED MOUNT DIMENSION

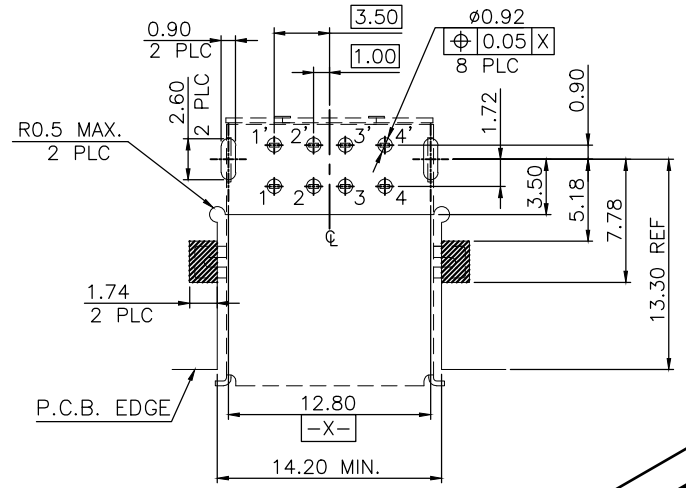
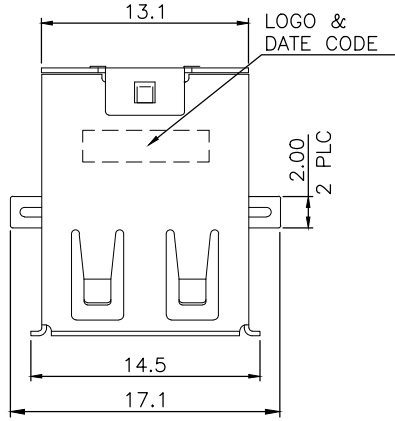
RECOMMEND P.C.B LAYOUT (THICKNESS 1.6mm)  
 (COMPONENT SIDE) TOLERANCE ±0.05mm

OBSOLETE	TAPE & REEL	4-1734062-2
	PACKAGE	PART NUMBER

THIS DRAWING IS A CONTROLLED DOCUMENT.		DWN		TE Connectivity	
DIMENSIONS:		TOLERANCES UNLESS OTHERWISE SPECIFIED:			
MM				NAME	
		0 PLC ± - 1 PLC ± 0.35 2 PLC ± 0.25 3 PLC ± - 4 PLC ± - ANGLES ± 3'		USB CONNECTOR, A SERIES, STACKED, OFFSET TYPE	
MATERIAL		FINISH		SIZE CAGE CODE DRAWING NO RESTRICTED TO A300779 C-1734062	
SEE NOTE		SEE NOTE		WEIGHT 4.71 GRAMS CUSTOMER DRAWING SCALE SHEET 6 of 24 REV G8	

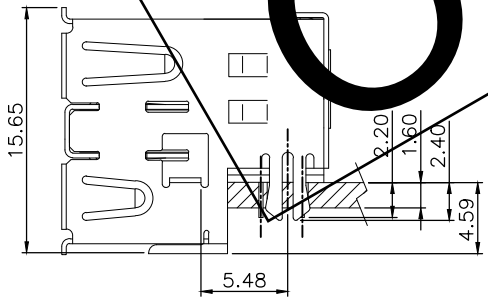
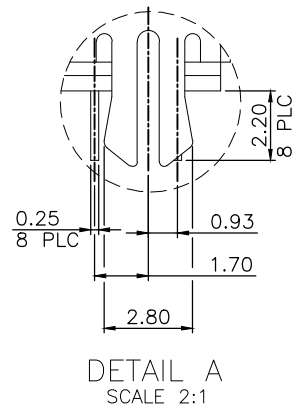
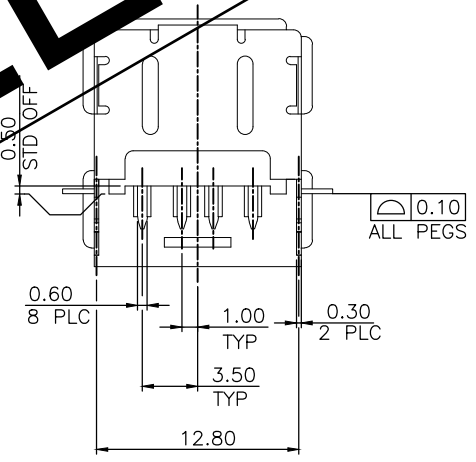
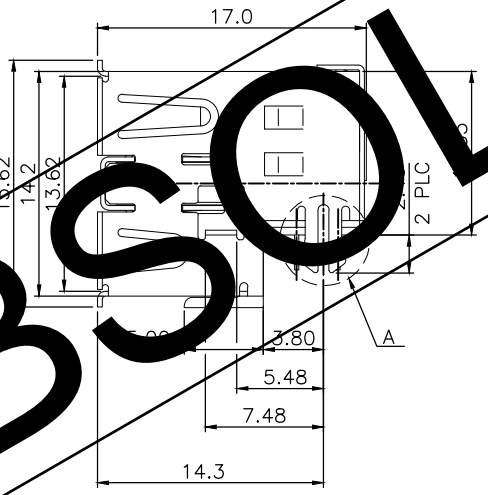
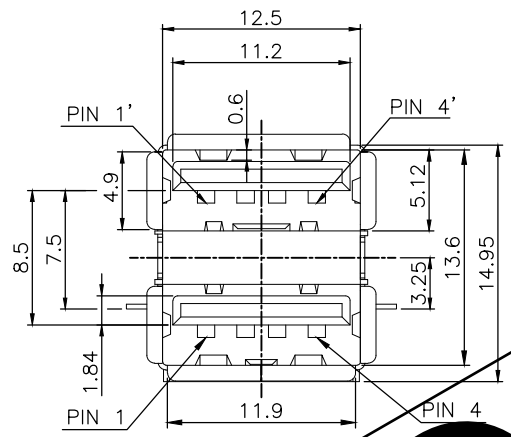
THIS DRAWING IS UNPUBLISHED. RELEASED FOR PUBLICATION  
 © COPYRIGHT BY TYCO ELECTRONICS CORPORATION. ALL RIGHTS RESERVED.

LOC	DIST	REVISIONS					
DW		P	LTR	DESCRIPTION	DATE	DWN	APVD
				SEE SHEET 1.			



- NOTES:
- MATERIAL:  
 HOUSING: PA9T WITH 30% GF, UL 94V-0 RATED, BLACK COLOR.  
 SPACER: PA9T WITH 30% GF, UL 94V-0 RATED, BLACK COLOR.  
 CONTACT: PHOSPHOR BRONZE.  
 FRONT SHIELD: SUS.  
 REAR SHIELD: SPCC.  
 GROUNDING STRIP: SUS.
  - FINISH:  
 CONTACT: 0.762µm [30µ" MIN. GOLD PLATING ON CONTACT AREA, 2.540µm [100µ" MIN. BRIGHT PLATING ON SOLDERTAILS, WITH ENAMEL CONTACT UNDERPLATED 1.27µm [50µ" MIN. NICKEL.  
 FRONT SHIELD: 0.762µm [30µ" MIN. NICKEL PLATING OVERALL.  
 REAR SHIELD: 0.762µm [30µ" MIN. NICKEL PLATING OVERALL.  
 GROUNDING STRIP: 0.762µm [30µ" MIN. CHROMIUM PLATING OVERALL.
  - REF. TO SOLDERSPEC TO 2600, MATE SPEC 109-201, CONDITION B.

RECOMMEND P.C.B LAYOUT (THICKNESS 1.6mm)  
 (COMPONENT SIDE) TOLERANCE ±0.05mm



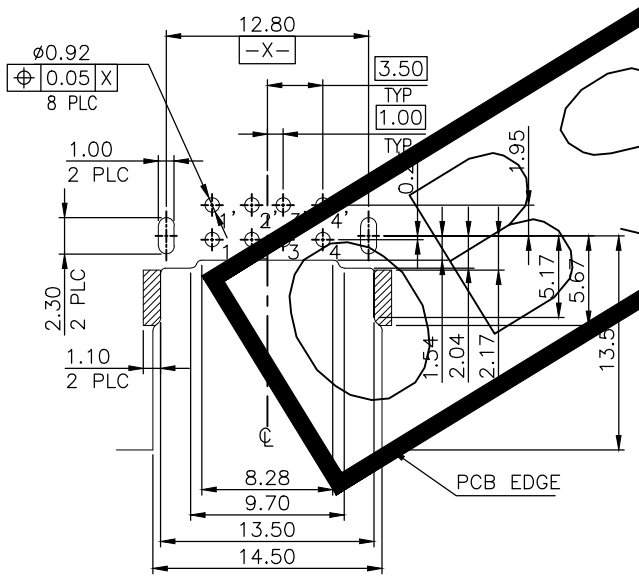
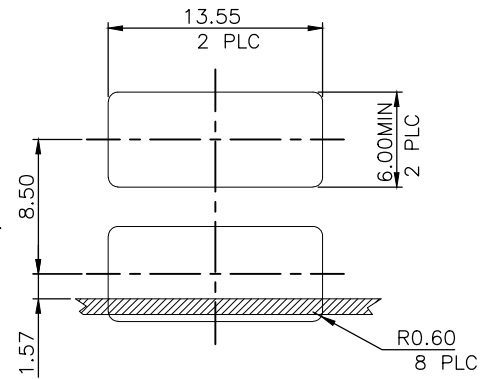
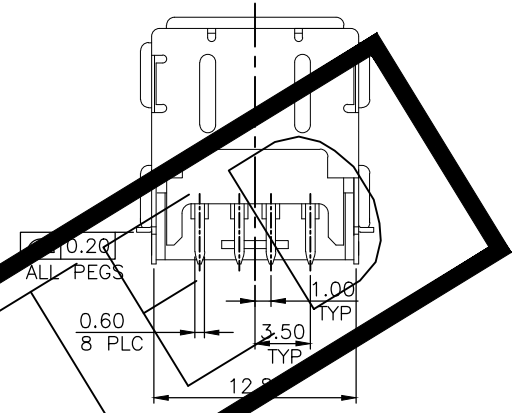
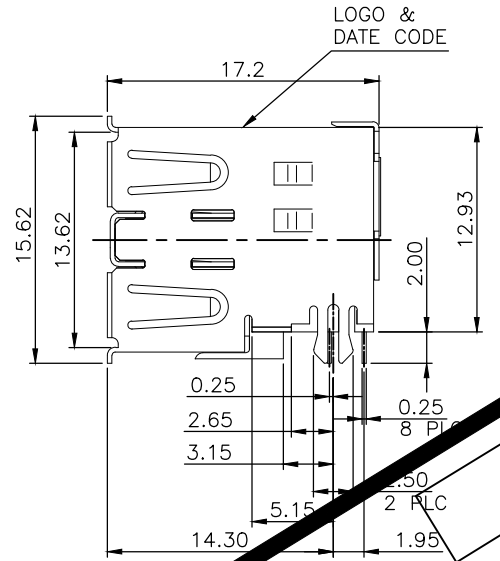
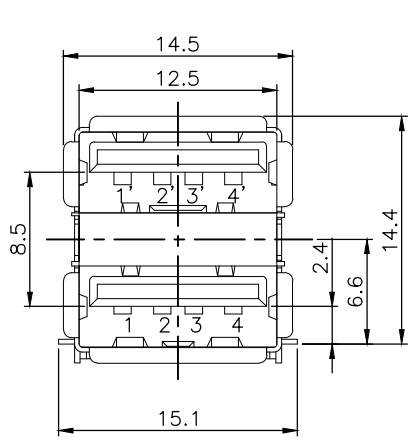
RECOMMENDED MOUNT DIMENSION

TAPE & REEL	4-1734062-3
PACKAGE	PART NUMBER

THIS DRAWING IS A CONTROLLED DOCUMENT.		DWN		TE Connectivity	
DIMENSIONS: MM		CHK		NAME	
TOLERANCES UNLESS OTHERWISE SPECIFIED:		APVD		PRODUCT SPEC	
0 PLC ±		PRODUCT SPEC		QUALIFICATION TEST REPORT	
1 PLC ±0.35		QUALIFICATION TEST REPORT		SIZE CAGE CODE DRAWING NO RESTRICTED TO	
2 PLC ±0.25		WEIGHT 4.25 GRAMS		A300779 C-1734062	
3 PLC ±		CUSTOMER DRAWING		SCALE SHEET 7 of 24 REV G8	
4 PLC ±					
ANGLES ±3'					
MATERIAL SEE NOTE		FINISH SEE NOTE			

THIS DRAWING IS UNPUBLISHED. RELEASED FOR PUBLICATION  
 © COPYRIGHT BY TYCO ELECTRONICS CORPORATION. ALL RIGHTS RESERVED.

LOC DW	DIST	REVISIONS			
P	LTR	DESCRIPTION	DATE	DWN	APVD
		SEE SHEET 1.			



NOTES:

- MATERIAL:  
 HOUSING: NYLON 66 WITH 30% GF, UL 94V-0 RATED, BLACK COLOR.  
 SPACERS: NYLON 66 WITH 30% GF, UL 94V-0 RATED, BLACK COLOR.  
 CONTACT: PHOSPHOR BRONZE.  
 FRONT SHIELD: BRASS.  
 REAR SHIELD: SPCC.  
 GROUNDING STRIP: BRASS.
- FINISH:  
 CONTACT: 0.762µm [30µ"] MIN. GOLD PLATING ON CONTACT AREA.  
 3.048µm [120µ"] MIN. BRIGHT-TIN PLATING ON SOLDERTAILS.  
 WITH ENTIRE CONTACT UNDERPLATED 1.27µm [50µ"] MIN. NICKEL.  
 FRONT SHIELD: 0.762µm [30µ"] MIN. NICKEL PLATING.  
 0.762µm [30µ"] MIN. Cu UNDER PLATING OVERALL.  
 REAR SHIELD: 0.762µm [30µ"] MIN. NICKEL PLATING.  
 0.762µm [30µ"] MIN. Cu UNDER PLATING OVERALL.  
 GROUNDING STRIP: 0.762µm [30µ"] MIN. NICKEL PLATING.  
 0.762µm [30µ"] MIN. Cu UNDER PLATING OVERALL.
- REFLOW SOLDER CAPABLE TO 260°C PER TE SPEC 109-201, CONDITION B.

OBSOLETE	TRAY	5-1734062-2
OBSOLETE	TAPE & REEL	5-1734062-1
	PACKAGE	PART NUMBER

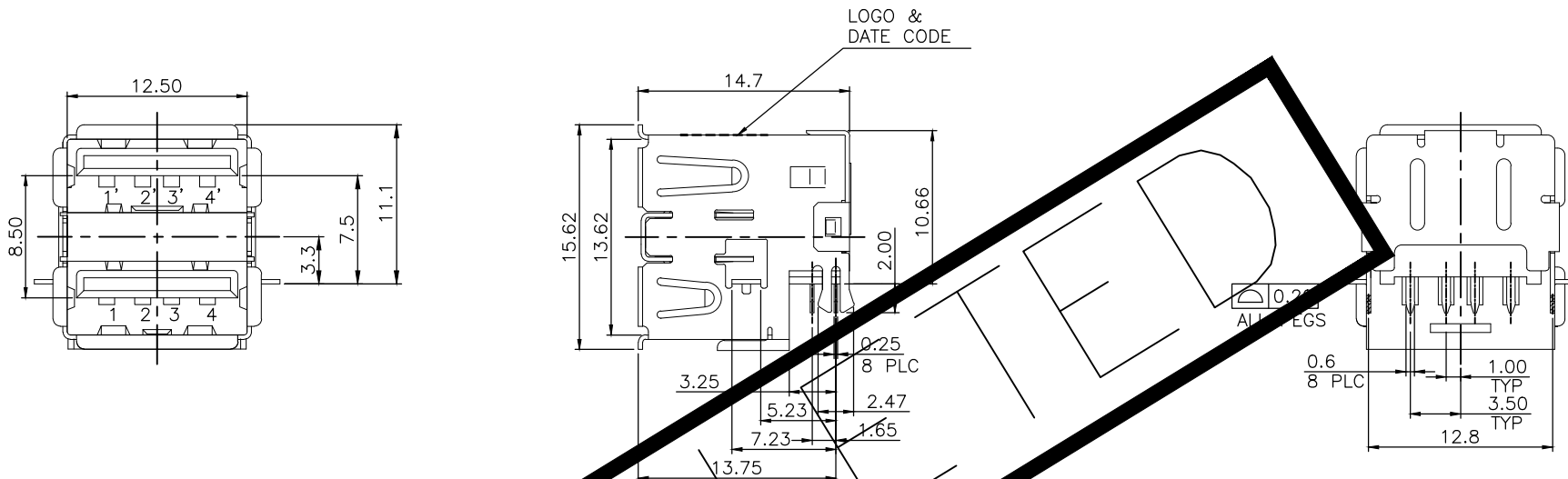
RECOMMEND P.C.B LAYOUT (THICKNESS 1.0mm)  
 (COMPONENT SIDE) TOLERANCE ±0.05mm

THIS DRAWING IS A CONTROLLED DOCUMENT.		DWN	TE Connectivity		
DIMENSIONS: MM		CHK			
TOLERANCES UNLESS OTHERWISE SPECIFIED:		APVD	NAME		
0 PLC ± .	1 PLC ± 0.35	PRODUCT SPEC	USB CONNECTOR, A SERIES, STACKED, OFFSET TYPE		
2 PLC ± 0.25	3 PLC ± .	QUALIFICATION TEST REPORT	SIZE	CAGE CODE	DRAWING NO
4 PLC ± .	ANGLES ± 3'	WEIGHT	A3	00779	C-1734062
MATERIAL SEE NOTE	FINISH SEE NOTE	CUSTOMER DRAWING	RESTRICTED TO	SCALE	SHEET
				8 OF 24	REV G8



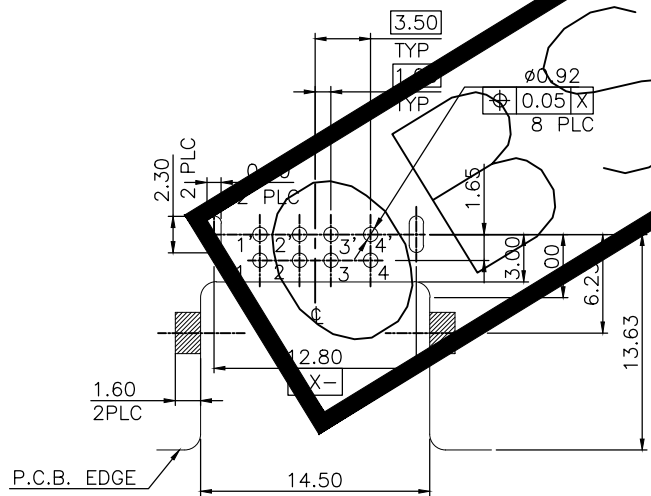
THIS DRAWING IS UNPUBLISHED. RELEASED FOR PUBLICATION  
 © COPYRIGHT BY TYCO ELECTRONICS CORPORATION. ALL RIGHTS RESERVED.

LOC	DIST	REVISIONS					
DW		P	LTR	DESCRIPTION	DATE	DWN	APVD
				SEE SHEET 1.			



- NOTES:
- MATERIALS:
    - HOUSING: PA9T WITH 30% GF, UL 94V-0 RATED, BLACK COLOR.
    - SPACER: PA9T WITH 30% GF, UL 94V-0 RATED, BLACK COLOR.
    - CONTACT: PHOSPHOR BRONZE.
    - FRONT SHELL: BRASS.
    - REAR SHELL: SPCC.
    - GROUNDING STRIP: STAINLESS.
  - FINISH:
    - CONTACT: 0.762µm [30µ"] MIN. GOLD PLATING ON CONTACT AREA.
    - 3.048µm [120µ"] MIN. BRIGHT TIN PLATING ON SOLDER TAILS, WITH ENTIRE CONTACT UNDERPLATED 1.27µm [50µ"] MIN. NICKEL.
    - FRONT SHELL: 0.762µm [30µ"] MIN. NICKEL PLATED.
    - 0.762µm [30µ"] MIN. Cu UNDERPLATING OVERALL.
    - REAR SHELL: 0.762µm [30µ"] MIN. NICKEL PLATED.
    - 0.762µm [30µ"] MIN. Cu UNDERPLATING OVERALL.
    - GROUNDING SHELL: 0.762µm [30µ"] MIN. NICKEL PLATED.
    - 0.762µm [30µ"] MIN. Cu UNDERPLATING OVERALL.
  - REFLOW SOLDER CAPABLE TO 260°C PER TE SPEC 109-201, CONDITION B.

OBSOLETE	TAPE & REEL	6-1734062-1
	PACKAGE	PART NUMBER



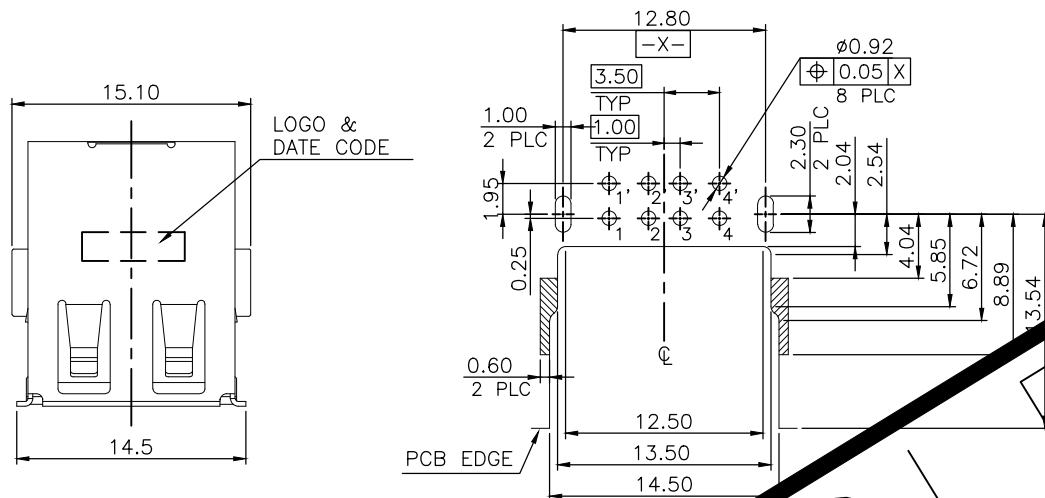
RECOMMEND P.C.B LAYOUT (THICKNESS 1.2mm)  
 (COMPONENT SIDE) TOLERANCE ±0.05mm

THIS DRAWING IS A CONTROLLED DOCUMENT.		DWN		TE Connectivity	
DIMENSIONS: MM		CHK			
TOLERANCES UNLESS OTHERWISE SPECIFIED:		APVD		NAME	
0 PLC ± - 1 PLC ± 0.35 2 PLC ± 0.25 3 PLC ± - 4 PLC ± - ANGLES ± 3°		PRODUCT SPEC		USB CONNECTOR, A SERIES, STACKED, OFFSET TYPE	
MATERIAL SEE NOTE		FINISH SEE NOTE		QUALIFICATION TEST REPORT	
		WEIGHT 4.71 GRAMS		SIZE A3	CAGE CODE 00779
		CUSTOMER DRAWING		DRAWING NO C-1734062	RESTRICTED TO
		SCALE		SHEET 9 of 24	REV G8



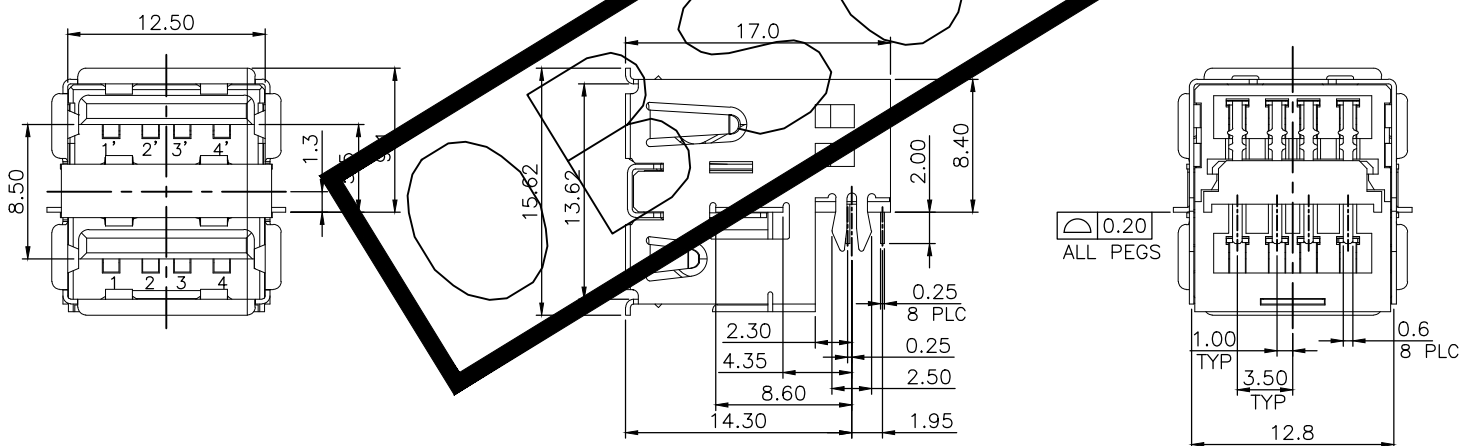
THIS DRAWING IS UNPUBLISHED. RELEASED FOR PUBLICATION  
 © COPYRIGHT BY TYCO ELECTRONICS CORPORATION. ALL RIGHTS RESERVED.

LOC	DIST	REVISIONS					
DW		P	LTR	DESCRIPTION	DATE	DWN	APVD
				SEE SHEET 1.			



NOTE:  
 1. MATERIAL:  
 HOUSING: PART WITH 30% GF, UL 94V-0 RATED, BLACK COLOR.  
 SPACER: PART WITH 30% GF, UL 94V-0 RATED, BLACK COLOR.  
 CONTACT: PHOSPHOR BRONZE.  
 FRONT SHIELD: BRASS.  
 GROUNDING STRIP: BRASS.  
 2. FINISH:  
 CONTACT: 0.762µm [30µ"] MIN. GOLD PLATING ON CONTACT AREA.  
 3.048µm [120µ"] MIN. BRIGHT TIN PLATING ON SOLDER TAIL,  
 WITH ENTIRE CONTACT UNDERPLATED 1.27µm [50µ"] MIN.  
 NICKEL.  
 FRONT SHELL: 0.762µm [30µ"] MIN. NICKEL PLATED.  
 GROUNDING STRIP: 0.762µm [30µ"] MIN. Cu UNDERPLATING OVERALL.  
 GROUNDING STRIP: 0.762µm [30µ"] MIN. NICKEL PLATING.  
 3. REFLECT SOLDER CAPABLE TO 260°C PER TE  
 SPEC 109-201, CONDITION B.

RECOMMEND P.C.B LAYOUT (THICKNESS 1.2mm)  
 (COMPONENT SIDE) TOLERANCE ±0.05mm

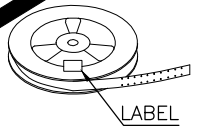
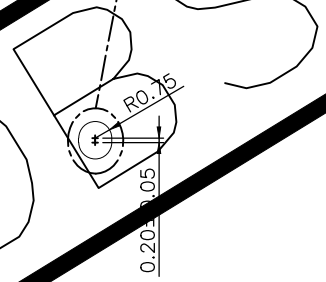
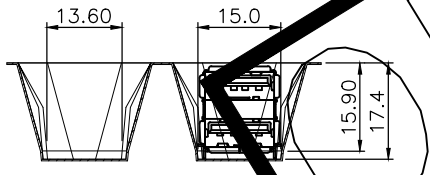
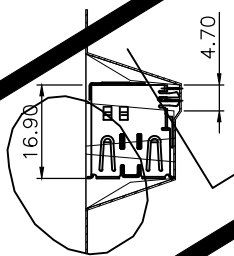
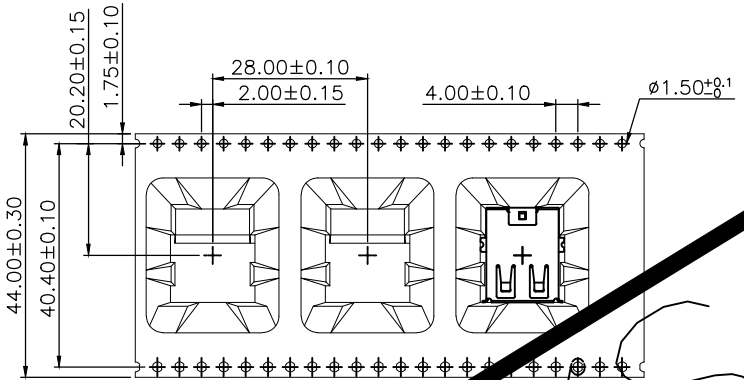
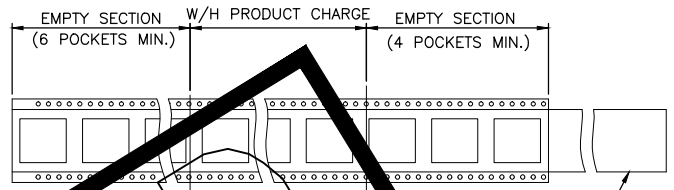
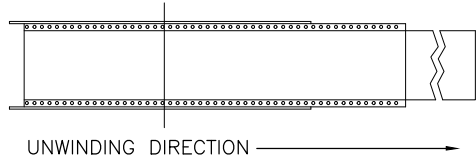
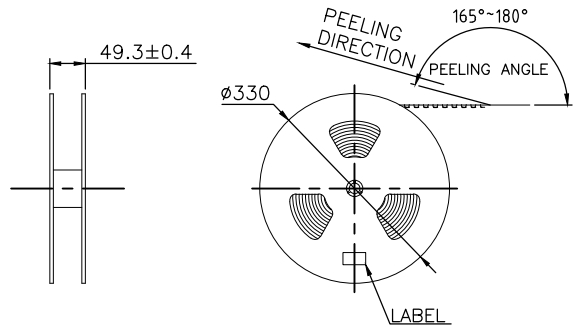


OBSOLETE	TAPE & REEL	8-1734062-1
	PACKAGE	PART NUMBER

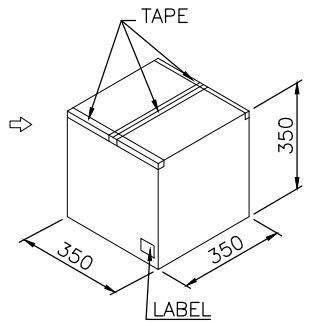
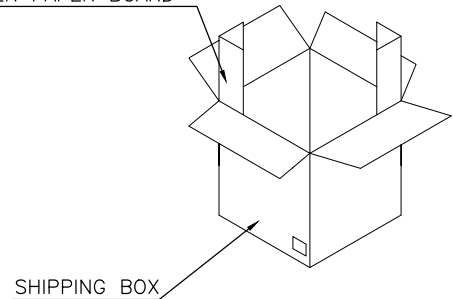
THIS DRAWING IS A CONTROLLED DOCUMENT.		DWN		TE Connectivity	
DIMENSIONS: MM		CHK			
TOLERANCES UNLESS OTHERWISE SPECIFIED:		APVD		NAME	
0 PLC ± - 1 PLC ± 0.35 2 PLC ± 0.25 3 PLC ± - 4 PLC ± - ANGLES ± 3°		PRODUCT SPEC		USB CONNECTOR, A SERIES, STACKED, OFFSET TYPE	
MATERIAL SEE NOTE		FINISH SEE NOTE		QUALIFICATION TEST REPORT	
		WEIGHT 4.3 GRAMS		SIZE A3	CAGE CODE 00779
		CUSTOMER DRAWING		DRAWING NO. 1734062	RESTRICTED TO
		SCALE		SHEET 11 of 24	REV G8

THIS DRAWING IS UNPUBLISHED. RELEASED FOR PUBLICATION  
 © COPYRIGHT BY TYCO ELECTRONICS CORPORATION. ALL RIGHTS RESERVED.

LOC	DIST	REVISIONS			
P	LTR	DESCRIPTION	DATE	DWN	APVD
DW		SEE SHEET 1.			



FOLDER PAPER BOARD



140	7	980	8.60	4.62	1-1734062-1
PCS/REEL	REELS/BOX	QUANTITY (PCS)	G/W (Kg)	N/W (Kg)	1734062-1
					PART NUMBER

THIS DRAWING IS A CONTROLLED DOCUMENT.		DWN
DIMENSIONS: MM		CHK
TOLERANCES UNLESS OTHERWISE SPECIFIED:		APVD
0 PLC	±	PRODUCT SPEC
1 PLC	±	APPLICATION SPEC
2 PLC	±	WEIGHT
3 PLC	±	
4 PLC	±	
ANGLES	±	
MATERIAL	FINISH	

TE Connectivity		NAME	
		USB CONNECTOR, A SERIES, STACKED, OFFSET TYPE	
SIZE	CAGE CODE	DRAWING NO	RESTRICTED TO
A3	00779	C-1734062	
CUSTOMER DRAWING		SCALE	SHEET 12 of 24
		REV	G8

4

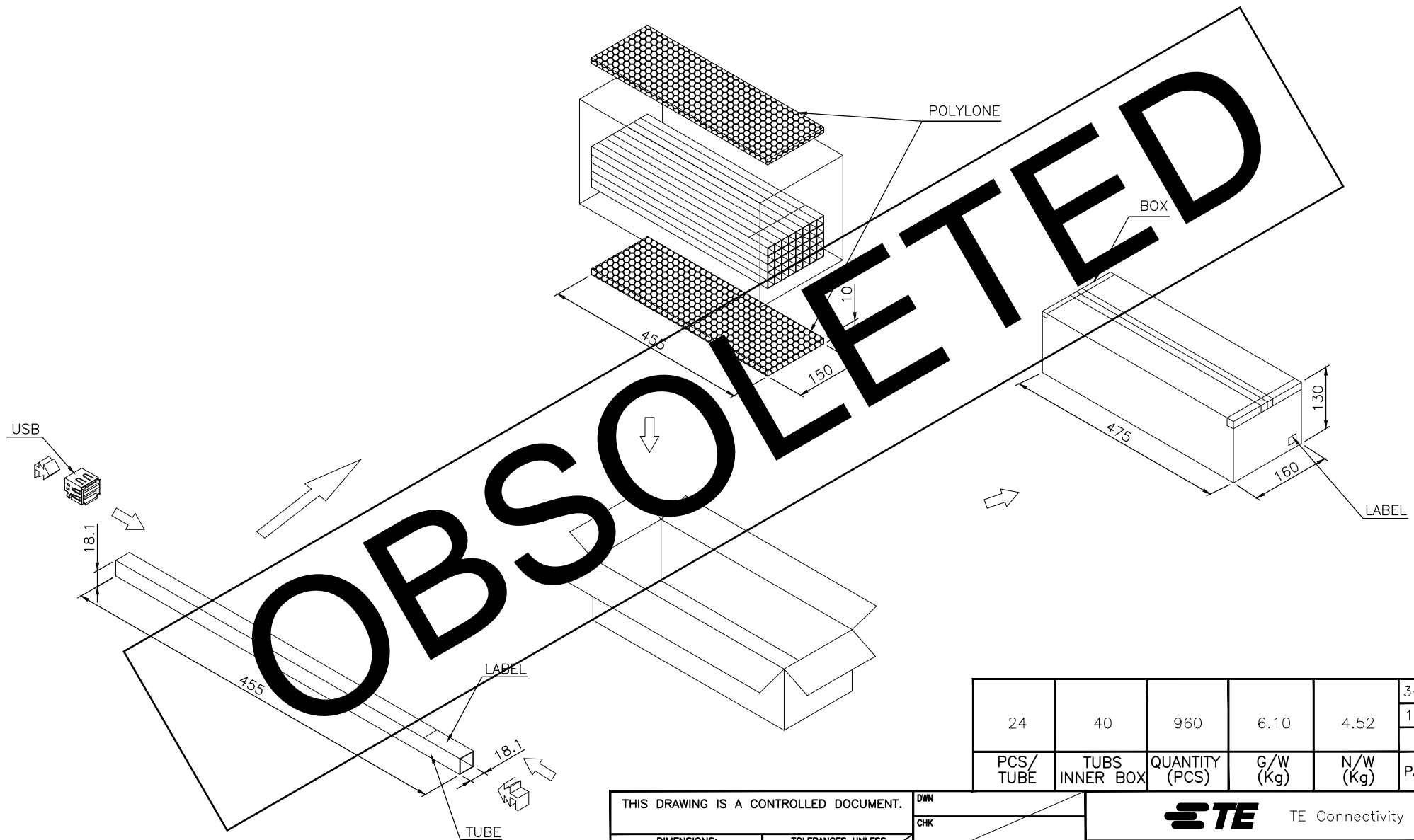
3

2

1

THIS DRAWING IS UNPUBLISHED. RELEASED FOR PUBLICATION  
© COPYRIGHT BY TYCO ELECTRONICS CORPORATION. ALL RIGHTS RESERVED.

LOC DW	DIST	REVISIONS		
P	LTR	DESCRIPTION	DATE	DWN
		SEE SHEET 1.		APVD



24	40	960	6.10	4.52	3-1734062-2
					1-1734062-2
					1734062-2
PCS/TUBE	TUBS INNER BOX	QUANTITY (PCS)	G/W (Kg)	N/W (Kg)	PART NUMBER

THIS DRAWING IS A CONTROLLED DOCUMENT.

DIMENSIONS: MM	TOLERANCES UNLESS OTHERWISE SPECIFIED:	DWN	TE Connectivity	
0 PLC ± -	1 PLC ± -	CHK	NAME	
2 PLC ± -	3 PLC ± -	APVD	USB CONNECTOR, A SERIES, STACKED, OFFSET TYPE	
4 PLC ± -	ANGLES ± -	PRODUCT SPEC	SIZE	CAGE CODE
MATERIAL	FINISH	APPLICATION SPEC	A3	00779
		WEIGHT	DRAWING NO	
			C=1734062	
		CUSTOMER DRAWING	RESTRICTED TO	
		SCALE	SHEET	REV
			13 of 24	G8

4

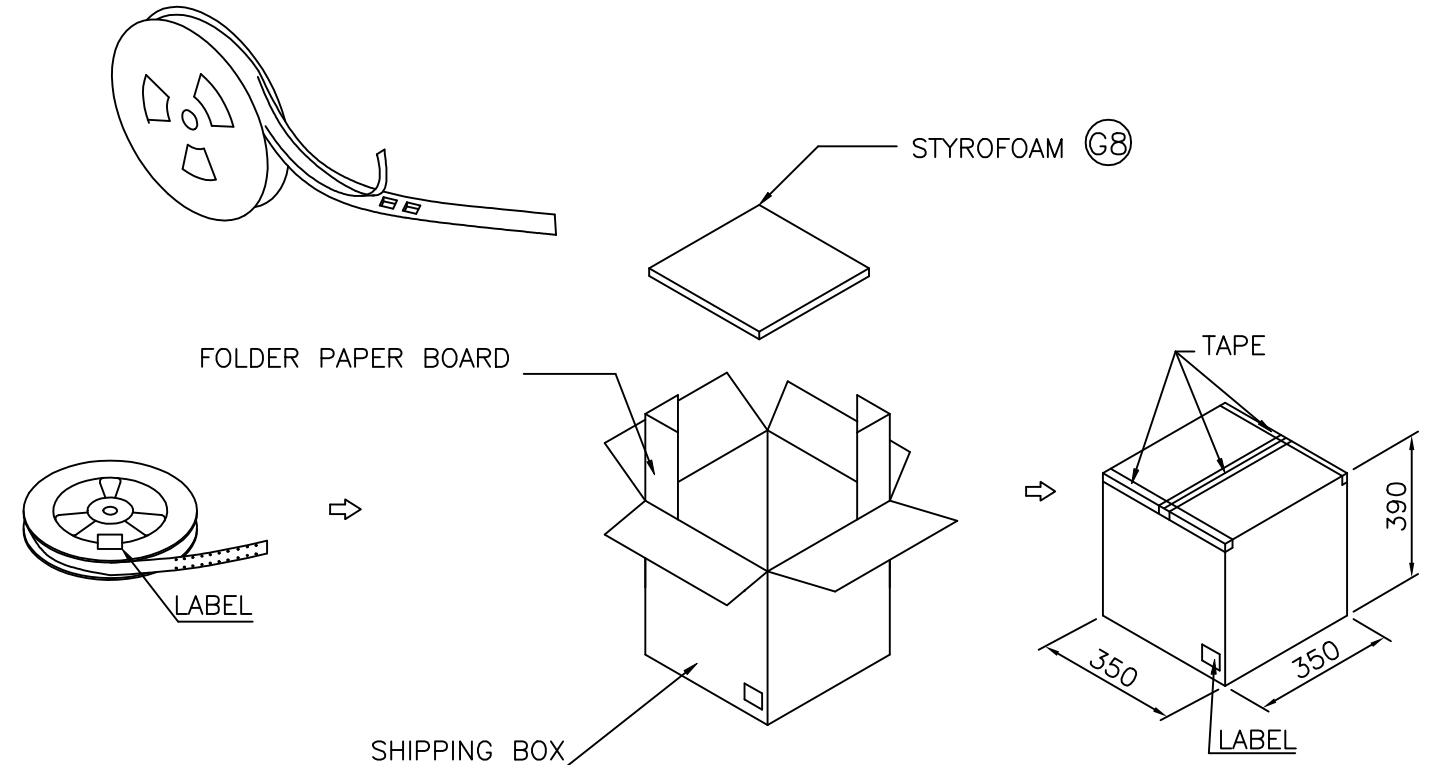
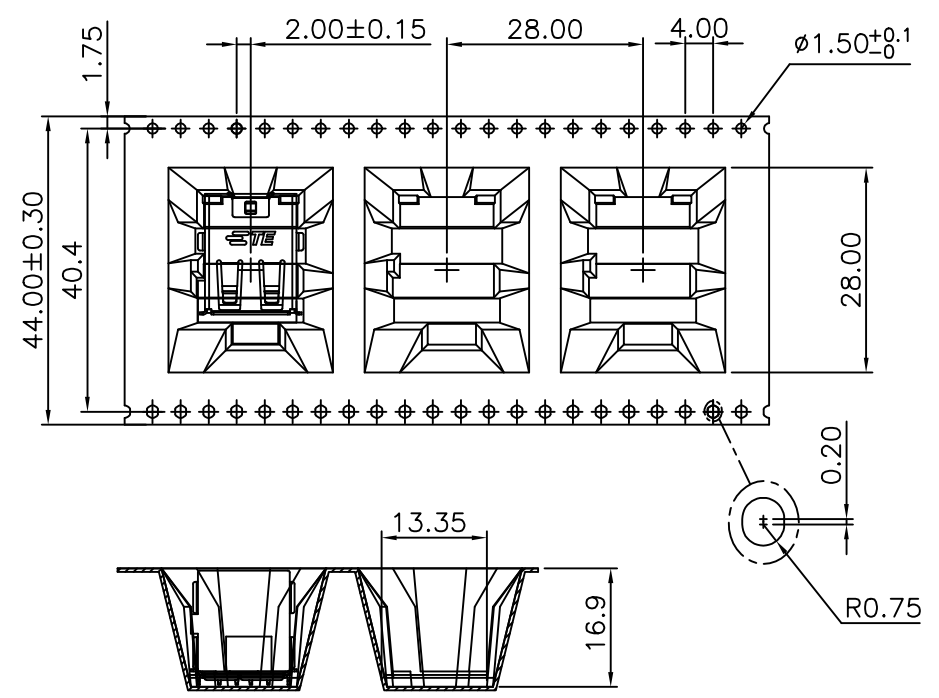
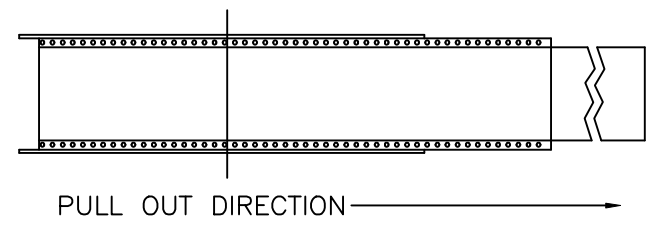
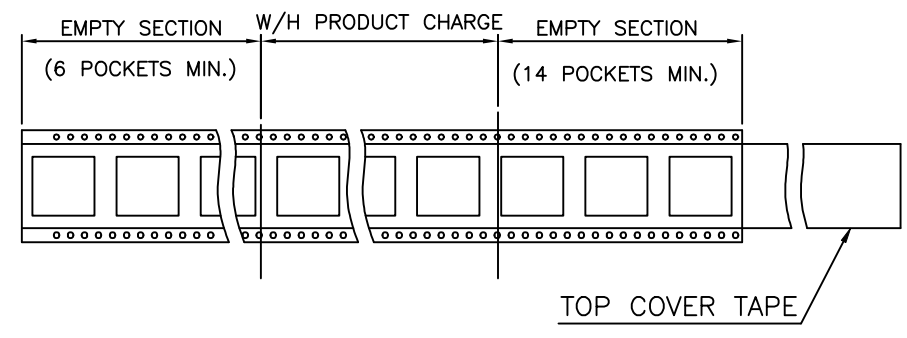
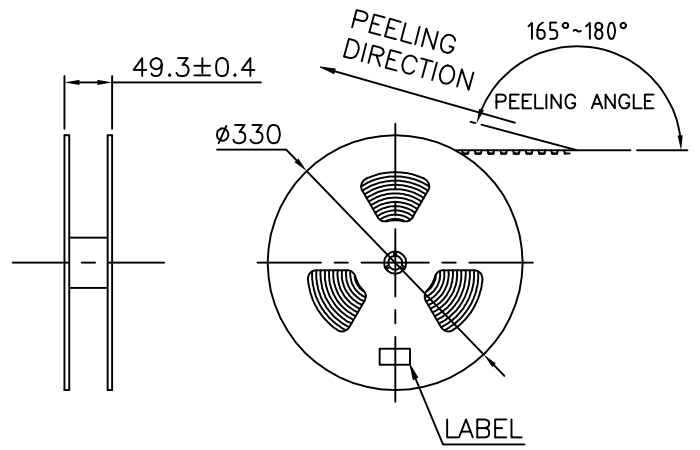
3

2

1

THIS DRAWING IS UNPUBLISHED. RELEASED FOR PUBLICATION  
 © COPYRIGHT BY TYCO ELECTRONICS CORPORATION. ALL RIGHTS RESERVED.

LOC	DIST	REVISIONS					
DW		P	LTR	DESCRIPTION	DATE	DWN	APVD
				SEE SHEET 1.			



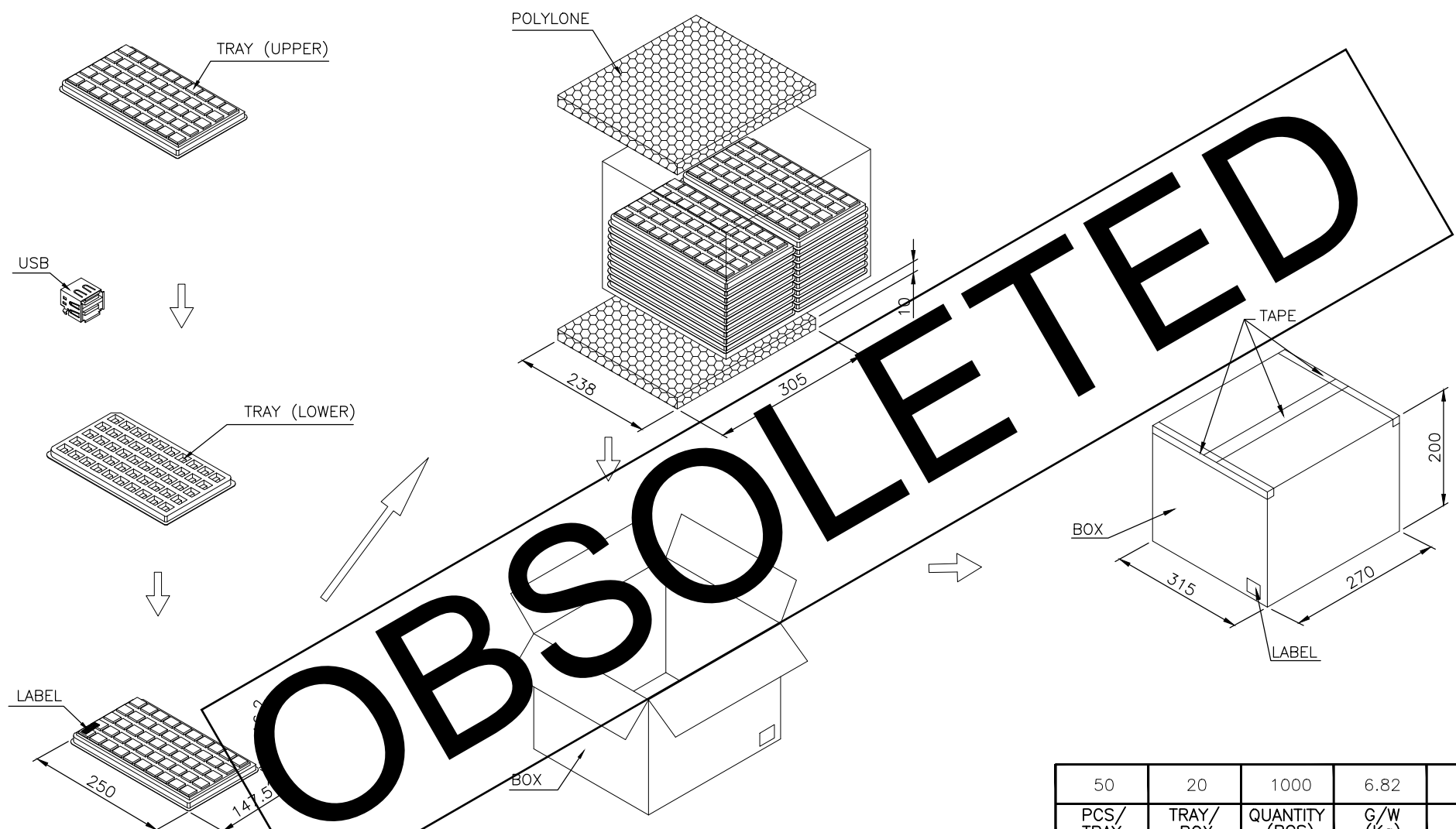
100	7	700	7.28	3.30	1734062-3
PCS/REEL	REELS/BOX	QUANTITY (PCS)	G/W (Kg)	N/W (Kg)	PART NUMBER

THIS DRAWING IS A CONTROLLED DOCUMENT.

DIMENSIONS: MM	TOLERANCES UNLESS OTHERWISE SPECIFIED:	DWN	TE Connectivity		
0 PLC ± -	1 PLC ± -	CHK	NAME		
2 PLC ± -	3 PLC ± -	APVD	USB CONNECTOR, A SERIES, STACKED, OFFSET TYPE		
4 PLC ± -	ANGLES ± -	PRODUCT SPEC	SIZE	CAGE CODE	DRAWING NO
MATERIAL	FINISH	APPLICATION SPEC	A3	00779	1734062
		WEIGHT	CUSTOMER DRAWING		RESTRICTED TO
			SCALE	SHEET	REV
				14 of 24	G8

THIS DRAWING IS UNPUBLISHED. RELEASED FOR PUBLICATION  
 © COPYRIGHT BY TYCO ELECTRONICS CORPORATION. ALL RIGHTS RESERVED.

LOC DW	DIST	REVISIONS			
P	LTR	DESCRIPTION	DATE	DWN	APVD
		SEE SHEET 1.			

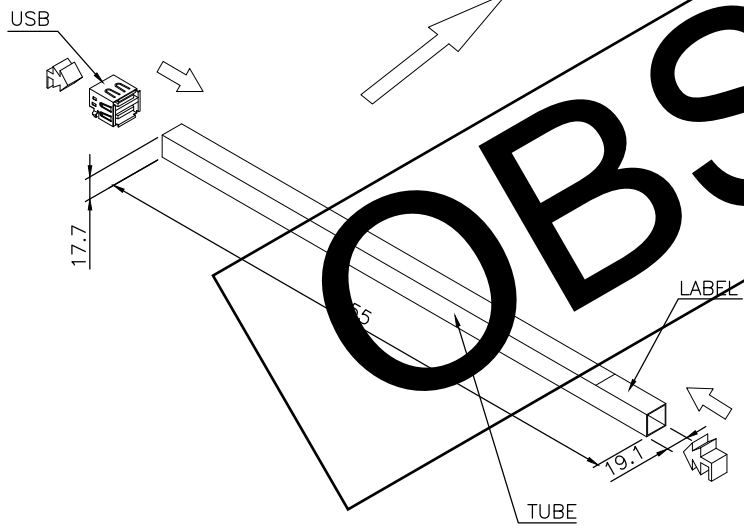
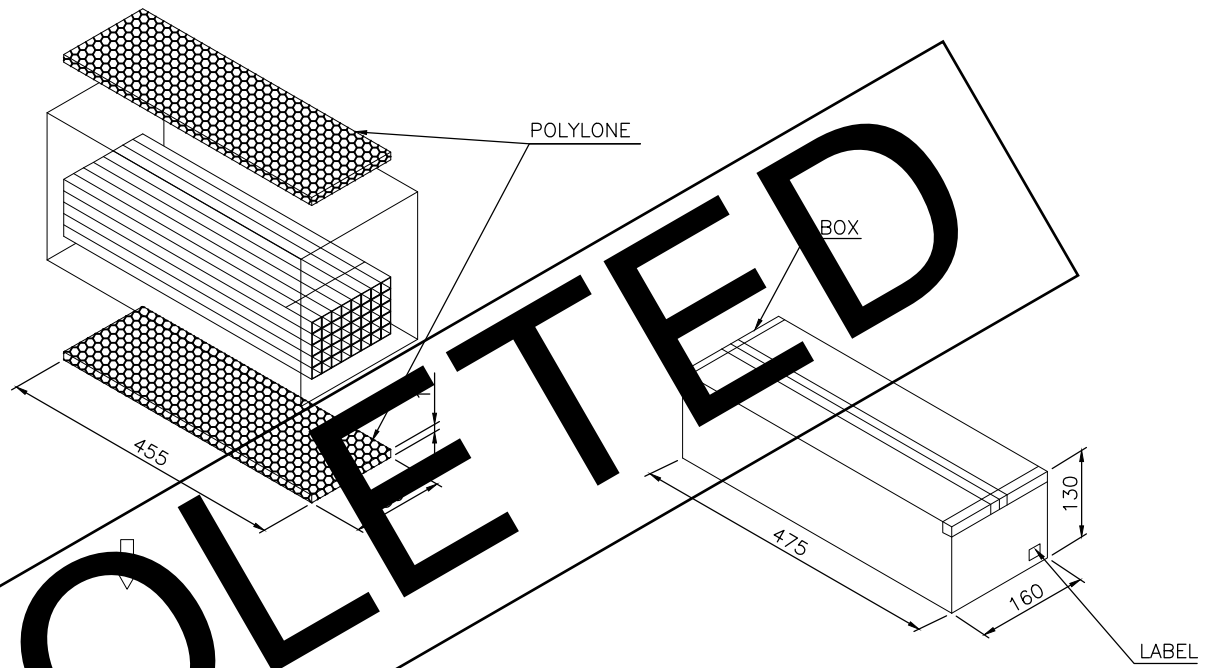


50	20	1000	6.82	4.71	2-1734062-2
PCS/ TRAY	TRAY/ BOX	QUANTITY (PCS)	G/W (Kg)	N/W (Kg)	PART NUMBER

THIS DRAWING IS A CONTROLLED DOCUMENT.		DWN	TE Connectivity			
DIMENSIONS: MM 		CHK				
TOLERANCES UNLESS OTHERWISE SPECIFIED: 0 PLC ± - 1 PLC ± - 2 PLC ± - 3 PLC ± - 4 PLC ± - ANGLES ± - MATERIAL FINISH		APVD	NAME			
		PRODUCT SPEC	USB CONNECTOR, A SERIES, STACKED, OFFSET TYPE			
		APPLICATION SPEC	SIZE	CAGE CODE	DRAWING NO	RESTRICTED TO
		WEIGHT	A3	00779	C-1734062	
CUSTOMER DRAWING			SCALE	SHEET	15 of 24	REV G8

THIS DRAWING IS UNPUBLISHED. RELEASED FOR PUBLICATION  
 © COPYRIGHT BY TYCO ELECTRONICS CORPORATION. ALL RIGHTS RESERVED.

LOC DW	DIST	REVISIONS			
P	LTR	DESCRIPTION	DATE	DWN	APVD
		SEE SHEET 1.			



**OBSOLETE**

25	40	1000	6.27	4.71	4-1734062-1	OBSOLETE
PCS/TUBE	TUBS INNER BOX	QUANTITY (PCS)	G/W (Kg)	N/W (Kg)	PART NUMBER	
					2-1734062-1	

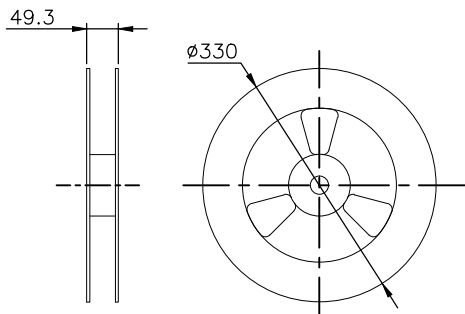
THIS DRAWING IS A CONTROLLED DOCUMENT.

DIMENSIONS: MM	TOLERANCES UNLESS OTHERWISE SPECIFIED:	DWN		CHK		APVD		NAME	
0 PLC ± -	1 PLC ± -	TE Connectivity		TE Connectivity		TE Connectivity		USB CONNECTOR, A SERIES, STACKED, OFFSET TYPE	
2 PLC ± -	3 PLC ± -	PRODUCT SPEC		APPLICATION SPEC		SIZE		CAGE CODE	
4 PLC ± -	ANGLES ± -	WEIGHT		DRAWING NO		RESTRICTED TO			
MATERIAL	FINISH	A300779		C-1734062		SCALE		SHEET	
		CUSTOMER DRAWING		SCALE		SHEET		REV	

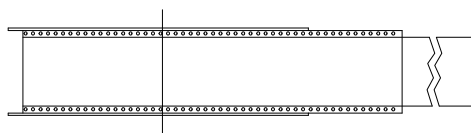
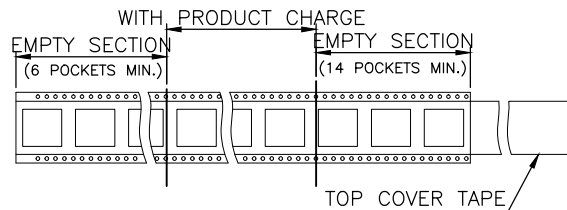


THIS DRAWING IS UNPUBLISHED. RELEASED FOR PUBLICATION  
 © COPYRIGHT BY TYCO ELECTRONICS CORPORATION. ALL RIGHTS RESERVED.

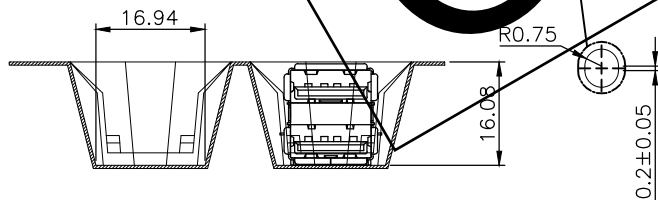
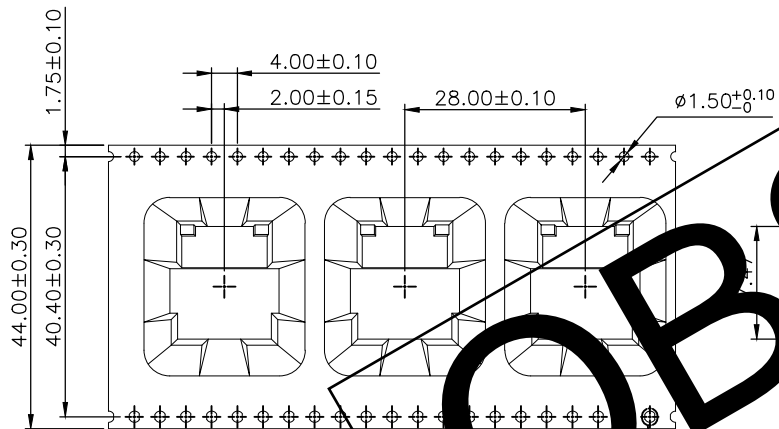
LOC DW	DIST -	REVISIONS			
P	LTR	DESCRIPTION	DATE	DWN	APVD
		SEE SHEET 1.			



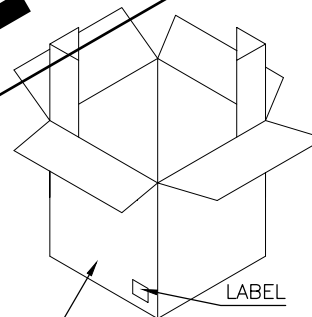
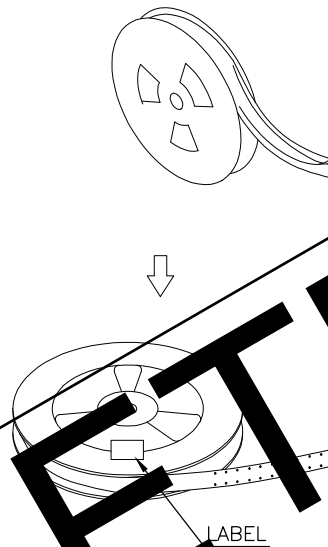
PULL OUT DIRECTION



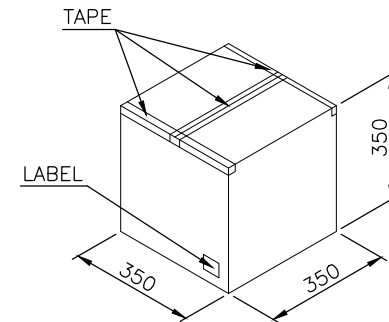
PULL OUT DIRECTION



**OBSOLETE**



SHIPPING BOX  
7 REELS / SHIPPING BOX



120	7	840	9.05	3.96	3-1734062-4
					3-1734062-3
PCS/ REEL	REELS/ BOX	QUANTITY (PCS)	G/W (Kg)	N/W (Kg)	PART NUMBER

THIS DRAWING IS A CONTROLLED DOCUMENT.

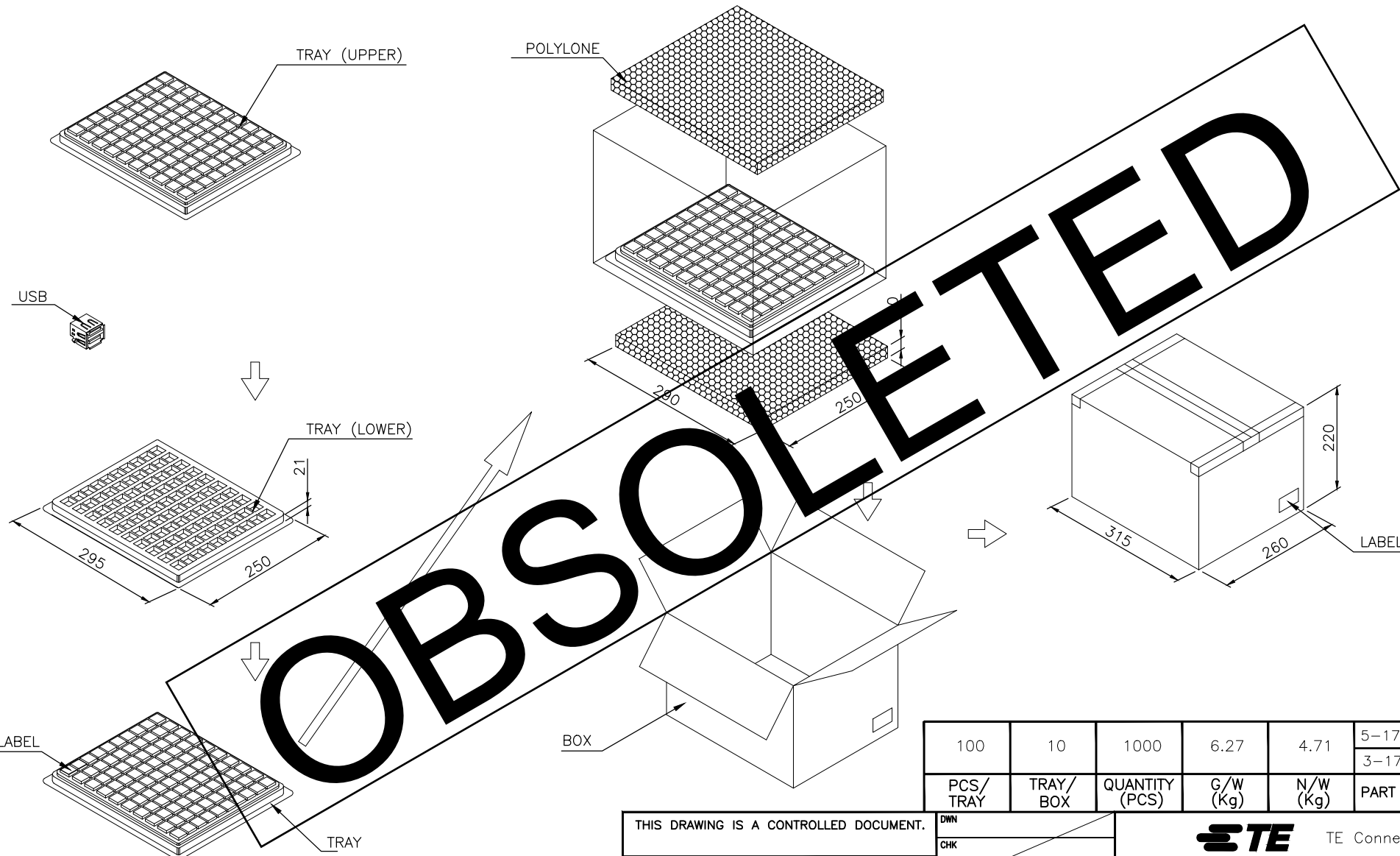
DIMENSIONS: MM		TOLERANCES UNLESS OTHERWISE SPECIFIED:	
	0 PLC	±	-
	1 PLC	±	-
	2 PLC	±	-
	3 PLC	±	-
	4 PLC	±	-
	ANGLES	±	-
MATERIAL	FINISH		

DWN	CHK	APVD	PRODUCT SPEC	APPLICATION SPEC	WEIGHT

<b>STE</b> TE Connectivity			
NAME			
USB CONNECTOR, A SERIES, STACKED, OFFSET TYPE			
SIZE	CAGE CODE	DRAWING NO	RESTRICTED TO
A3	00779	1734062	
CUSTOMER DRAWING		SCALE	SHEET 17 of 24 REV G8

THIS DRAWING IS UNPUBLISHED. RELEASED FOR PUBLICATION  
 © COPYRIGHT BY TYCO ELECTRONICS CORPORATION. ALL RIGHTS RESERVED.

LOC DW	DIST	REVISIONS			
P	LTR	DESCRIPTION	DATE	DWN	APVD
		SEE SHEET 1.			

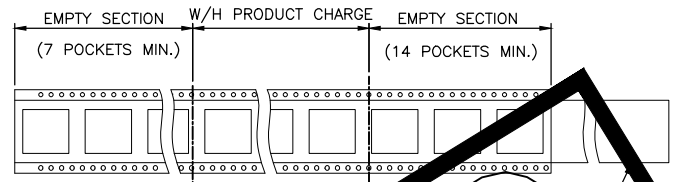
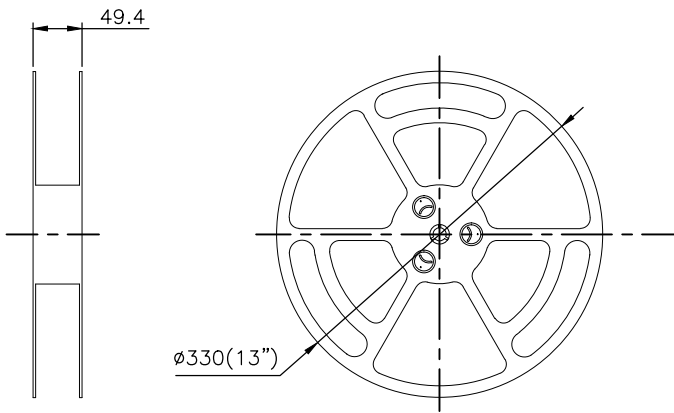


100	10	1000	6.27	4.71	5-1734062-2	OBSOLETE
PCS/TRAY	TRAY/BOX	QUANTITY (PCS)	G/W (Kg)	N/W (Kg)	3-1734062-1	
					PART NUMBER	

THIS DRAWING IS A CONTROLLED DOCUMENT.		DWN				
DIMENSIONS: MM		CHK				
		APVD		NAME		
TOLERANCES UNLESS OTHERWISE SPECIFIED: 0 PLC ± - 1 PLC ± - 2 PLC ± - 3 PLC ± - 4 PLC ± - ANGLES ± - MATERIAL FINISH		PRODUCT SPEC		USB CONNECTOR, A SERIES, STACKED, OFFSET TYPE		
		APPLICATION SPEC		SIZE CAGE CODE DRAWING NO RESTRICTED TO		
		WEIGHT		A3 00779 C-1734062		
CUSTOMER DRAWING				SCALE	SHEET 18 of 24	REV G8

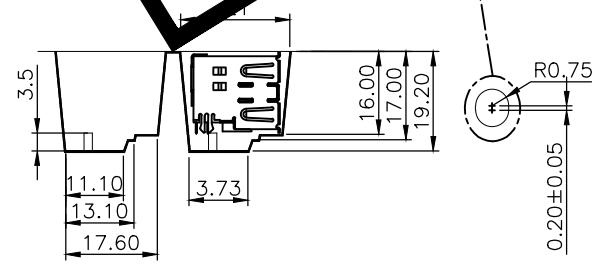
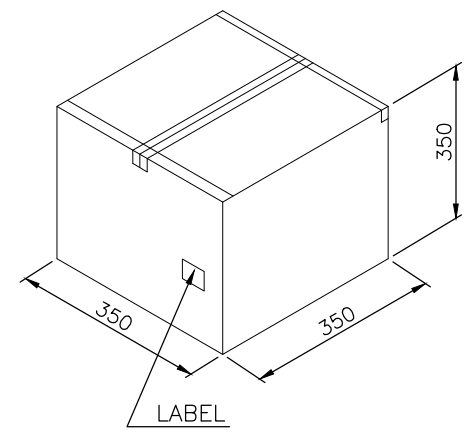
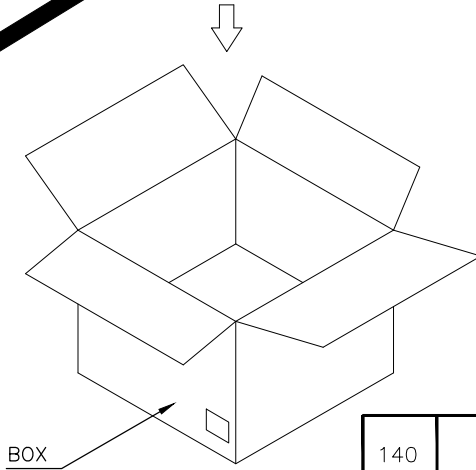
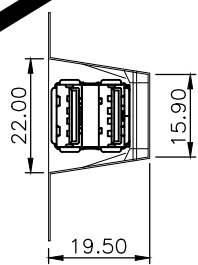
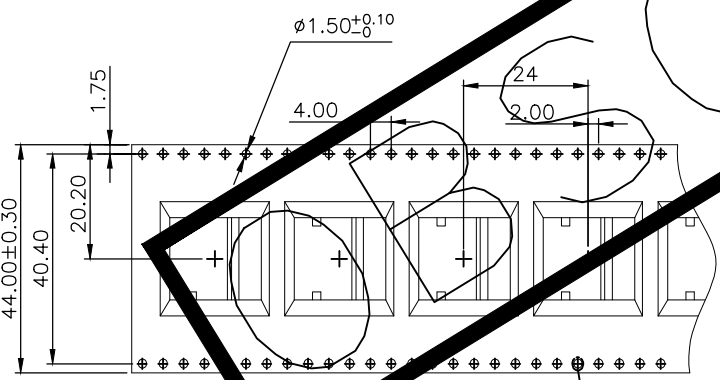
THIS DRAWING IS UNPUBLISHED. RELEASED FOR PUBLICATION  
 © COPYRIGHT BY TYCO ELECTRONICS CORPORATION. ALL RIGHTS RESERVED.

LOC DW	DIST	REVISIONS			
P	LTR	DESCRIPTION	DATE	DWN	APVD
		SEE SHEET 1.			



PULL OUT DIRECTION →

TOP COVER TAPE



140	7	980	8.60	4.62	5-1734062-1	OBSOLETE
PCS/REEL	REELS/BOX	QUANTITY (PCS)	G/W (Kg)	N/W (Kg)	PART NUMBER	

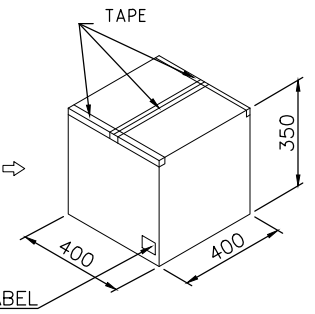
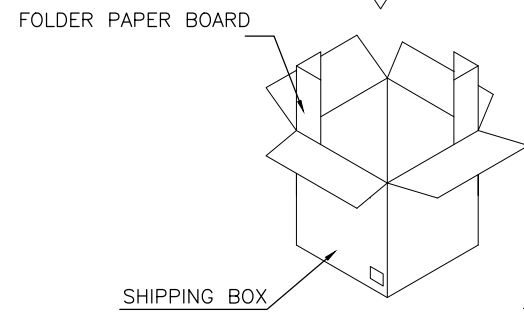
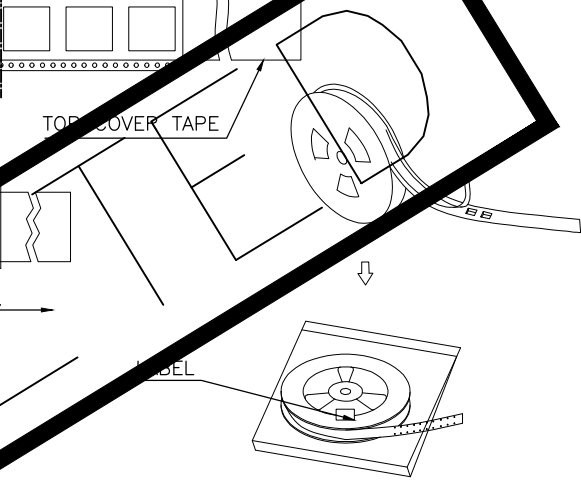
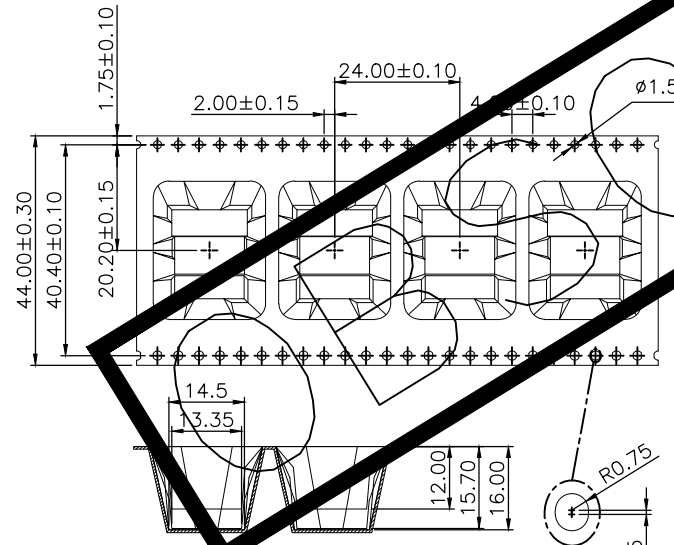
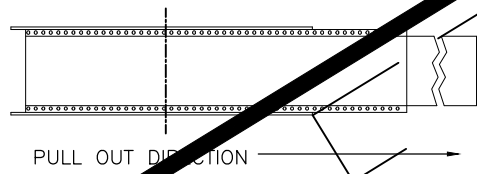
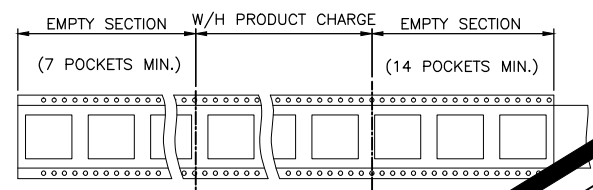
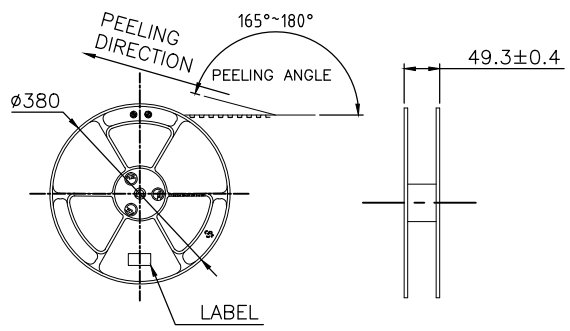
THIS DRAWING IS A CONTROLLED DOCUMENT.

DIMENSIONS:		TOLERANCES UNLESS OTHERWISE SPECIFIED:	
MM		0 PLC	±
		1 PLC	±
		2 PLC	±
		3 PLC	±
		4 PLC	±
MATERIAL		ANGLES	±
		FINISH	

DWN		CHK		APVD		NAME	
PRODUCT SPEC		APPLICATION SPEC		WEIGHT		RESTRICTED TO	
STE TE Connectivity		USB CONNECTOR, A SERIES, STACKED, OFFSET TYPE		SIZE	CAGE CODE	DRAWING NO	
CUSTOMER DRAWING		A300779		C-1734062			
SCALE		SHEET 19 of 24		REV G8			

THIS DRAWING IS UNPUBLISHED. RELEASED FOR PUBLICATION  
 © COPYRIGHT BY TYCO ELECTRONICS CORPORATION. ALL RIGHTS RESERVED.

LOC DW	DIST	REVISIONS			
P	LTR	DESCRIPTION	DATE	DWN	APVD
		SEE SHEET 1.			



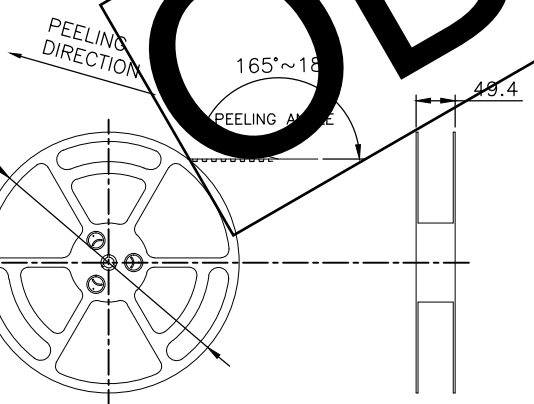
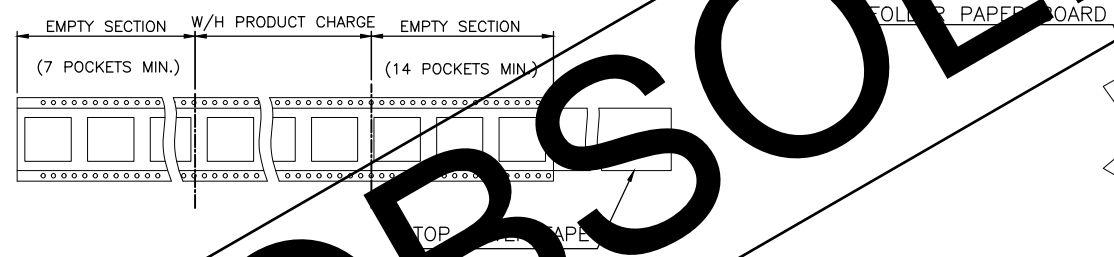
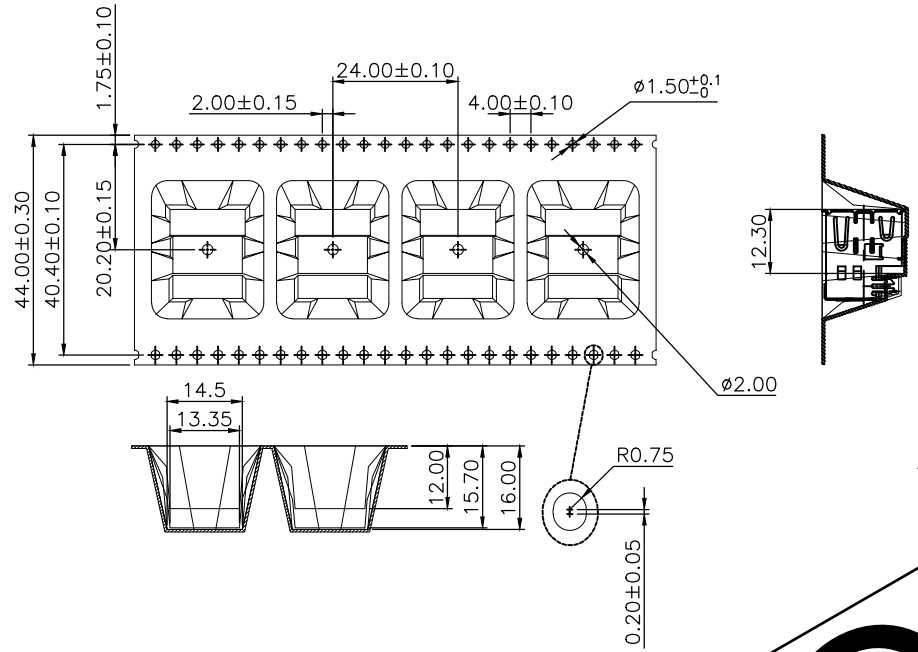
11.20 Kg	6.10 Kg	200	7	1400 PCS	4-1734062-2	OBSOLETE
GROSS WEIGHT	NET WEIGHT	PCS/REEL	REELS/CARTON	QUANTITY	PART NUMBER	

THIS DRAWING IS A CONTROLLED DOCUMENT.

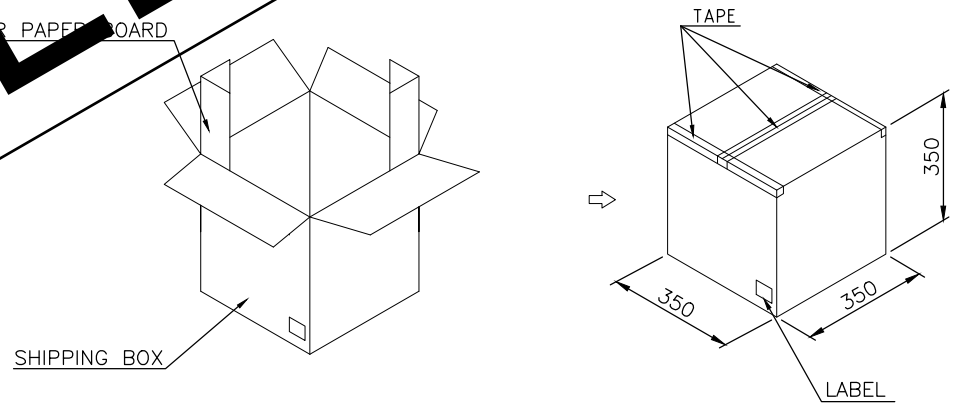
DIMENSIONS:	TOLERANCES UNLESS OTHERWISE SPECIFIED:	DWN	TE Connectivity			
MM		CHK	NAME			
0 PLC ± - 1 PLC ± - 2 PLC ± - 3 PLC ± - 4 PLC ± - ANGLES ± -		APVD	PRODUCT SPEC APPLICATION SPEC			
MATERIAL	FINISH	WEIGHT	SIZE	CAGE CODE	DRAWING NO	RESTRICTED TO
			A3	00779	C-1734062	
CUSTOMER DRAWING			SCALE	SHEET	20 of 24	REV G8

THIS DRAWING IS UNPUBLISHED. RELEASED FOR PUBLICATION  
 © COPYRIGHT BY TYCO ELECTRONICS CORPORATION. ALL RIGHTS RESERVED.

LOC DW	DIST	REVISIONS			
P	LTR	DESCRIPTION	DATE	DWN	APVD
		SEE SHEET 1.			



**OBSOLETE**



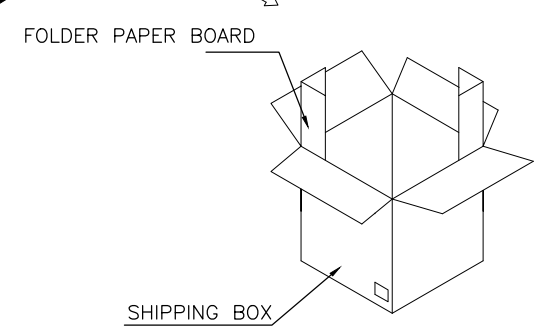
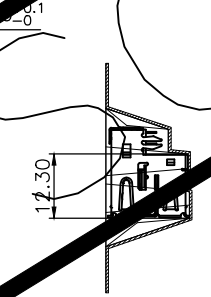
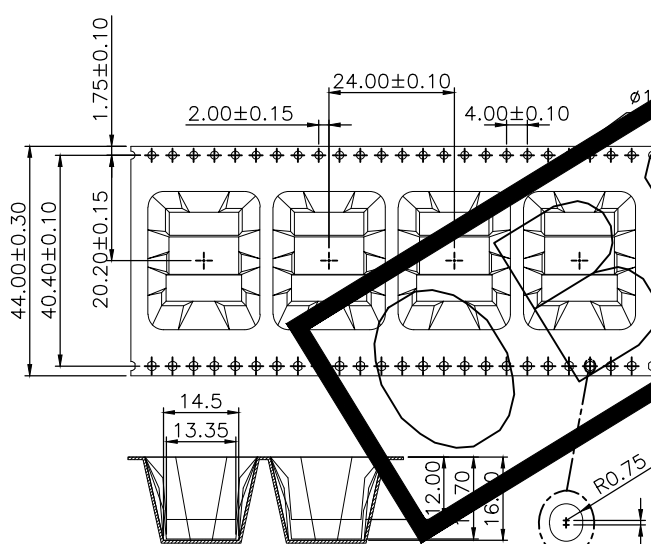
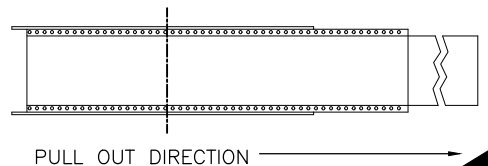
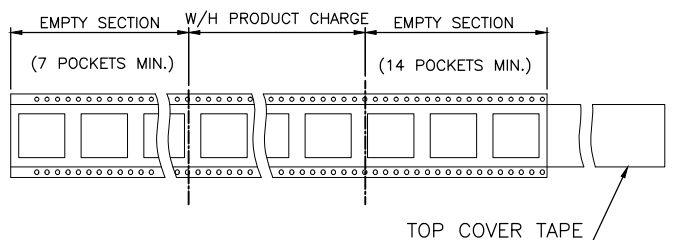
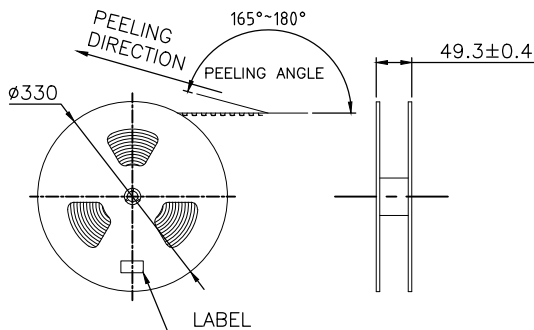
7.01 Kg	2.98 Kg	100	7	700 PCS	4-1734062-3
GROSS WEIGHT	NET WEIGHT	PCS/REEL	REELS/CARTON	QUANTITY	PART NUMBER

THIS DRAWING IS A CONTROLLED DOCUMENT.		DWN	TE Connectivity		
DIMENSIONS: MM		CHK	NAME		
TOLERANCES UNLESS OTHERWISE SPECIFIED:		APVD	USB CONNECTOR, A SERIES, STACKED, OFFSET TYPE		
0 PLC	± -	PRODUCT SPEC	SIZE CAGE CODE DRAWING NO RESTRICTED TO		
1 PLC	± -	APPLICATION SPEC	A3	00779	C-1734062
2 PLC	± -	WEIGHT	CUSTOMER DRAWING SCALE SHEET 21 of 24 REV G8		
3 PLC	± -				
4 PLC	± -				
ANGLES	± -				
FINISH					



THIS DRAWING IS UNPUBLISHED. RELEASED FOR PUBLICATION  
 © COPYRIGHT BY TYCO ELECTRONICS CORPORATION. ALL RIGHTS RESERVED.

LOC DW	DIST	REVISIONS			
P	LTR	DESCRIPTION	DATE	DWN	APVD
		SEE SHEET 1.			



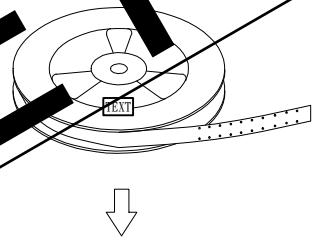
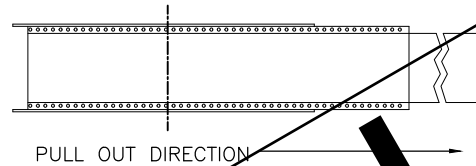
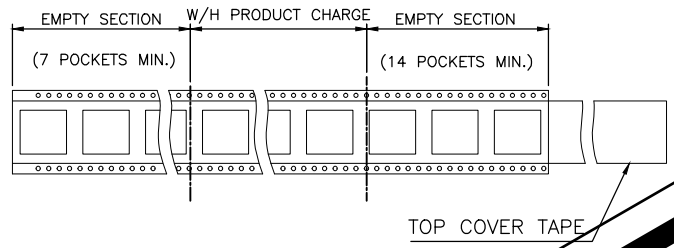
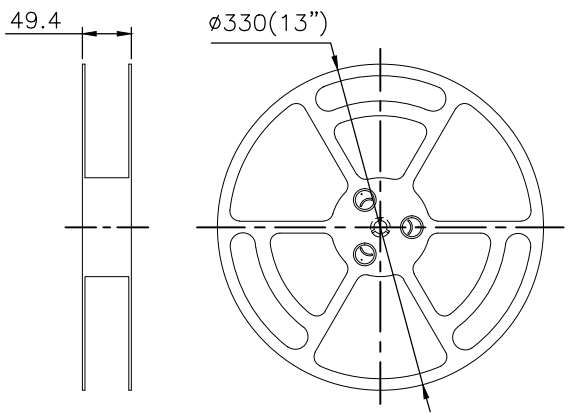
130	7	910	7.94	3.91	7-1734062-1	OBSOLETE
PCS/REEL	REELS/BOX	QUANTITY (PCS)	G/W (Kg)	N/W (Kg)	PART NUMBER	

THIS DRAWING IS A CONTROLLED DOCUMENT.

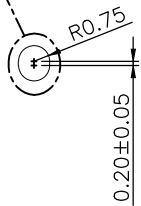
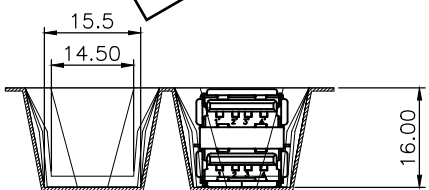
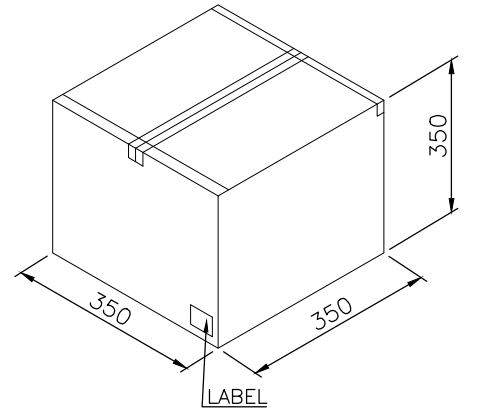
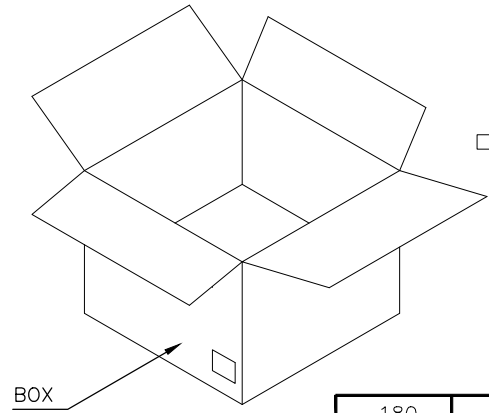
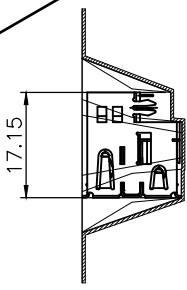
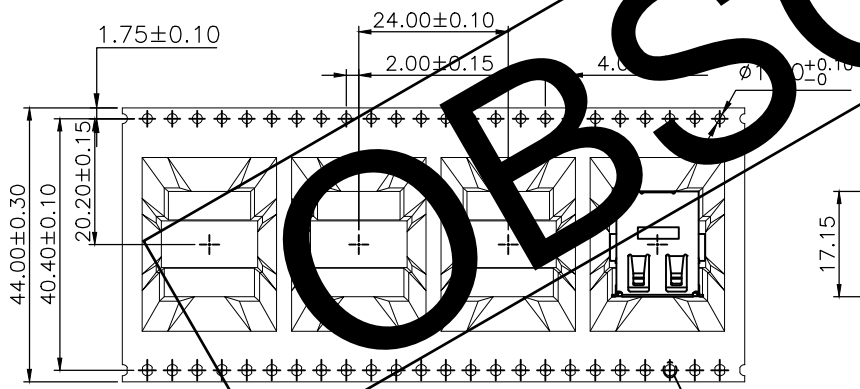
DIMENSIONS: MM	TOLERANCES UNLESS OTHERWISE SPECIFIED:	DWN		TE Connectivity	
	0 PLC ± -	CHK	NAME		
	1 PLC ± -	APVD	USB CONNECTOR, A SERIES, STACKED, OFFSET TYPE		
	2 PLC ± -	PRODUCT SPEC	SIZE	CAGE CODE	DRAWING NO
	3 PLC ± -	APPLICATION SPEC	A3	00779	C-1734062
	4 PLC ± -	WEIGHT	RESTRICTED TO		
MATERIAL	FINISH	CUSTOMER DRAWING		SCALE	SHEET 23 of 24
				REV	G8

THIS DRAWING IS UNPUBLISHED. RELEASED FOR PUBLICATION  
 © COPYRIGHT BY TYCO ELECTRONICS CORPORATION. ALL RIGHTS RESERVED.

LOC DW	DIST	REVISIONS			
P	LTR	DESCRIPTION	DATE	DWN	APVD
		SEE SHEET 1.			



**OBSOLETE**



180	7	1260	9.40	5.42	8-1734062-1
PCS/REEL	REELS/BOX	QUANTITY (PCS)	G/W (Kg)	N/W (Kg)	PART NUMBER

THIS DRAWING IS A CONTROLLED DOCUMENT.

DIMENSIONS: MM	TOLERANCES UNLESS OTHERWISE SPECIFIED:	DWN	TE Connectivity	
0 PLC ± -	1 PLC ± -	CHK	NAME	
2 PLC ± -	3 PLC ± -	APVD	USB CONNECTOR, A SERIES, STACKED, OFFSET TYPE	
4 PLC ± -	ANGLES ± -	PRODUCT SPEC	SIZE	CAGE CODE
MATERIAL	FINISH	APPLICATION SPEC	A3	00779
		WEIGHT	DRAWING NO	
			C-1734062	
			RESTRICTED TO	
			CUSTOMER DRAWING	
			SCALE	SHEET
				24 of 24
				REV G8