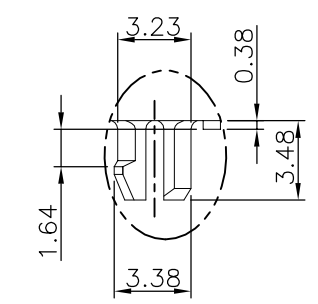


THIS DRAWING IS UNPUBLISHED. RELEASED FOR PUBLICATION  
 © COPYRIGHT 2011 BY TYCO ELECTRONICS CORPORATION. ALL RIGHTS RESERVED.

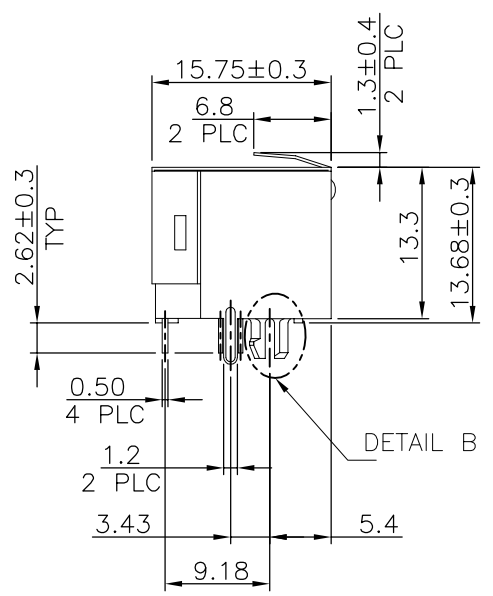
LOC	DIST	REVISIONS			
P	LTR	DESCRIPTION	DATE	DWN	APVD
DW	/	B4	REVISED (ECO-14-012616), OBSOLETE 3-6.	30DEC2014	LL SH

LED SCHEMATIC	
POSITION 2	POSITION 1
GREEN	YELLOW
9+ -> -10	11+ -> -12
FOR 1734320-X	

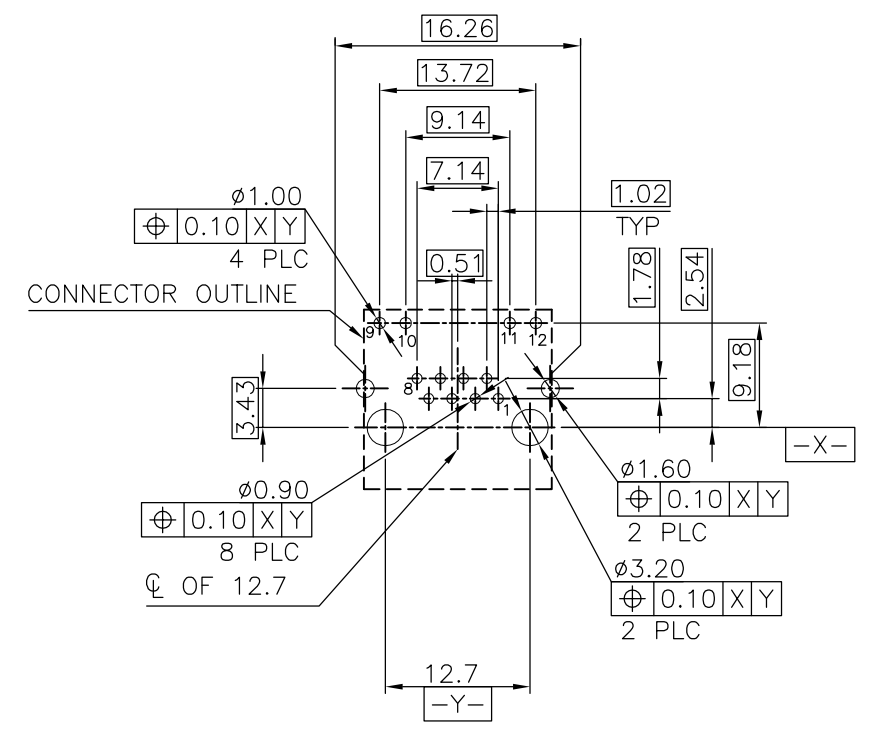
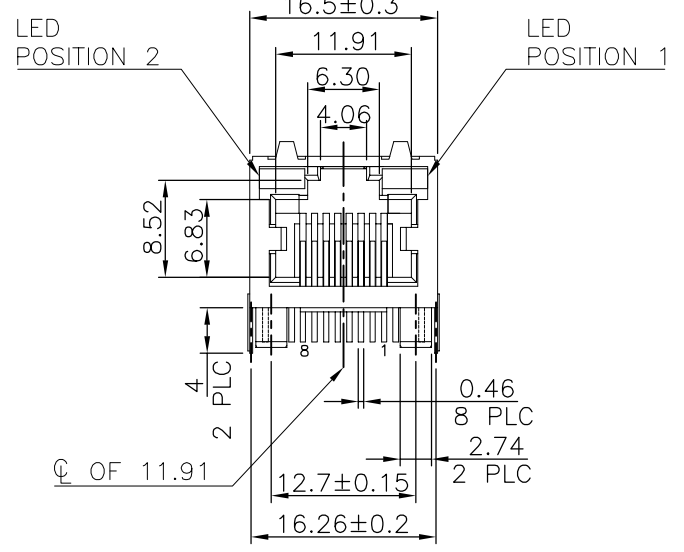
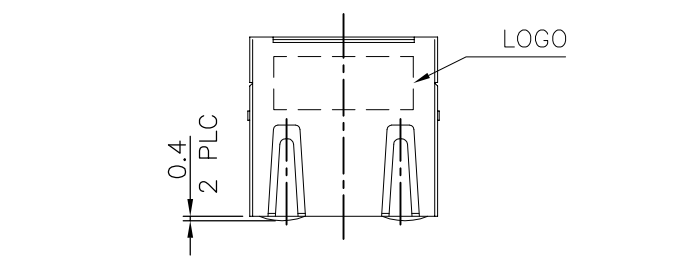


DETAIL B (SCALE 2:1)

LED SCHEMATIC	
POSITION 2	POSITION 1
YELLOW	GREEN
9+ -> -10	11+ -> -12
FOR 1-1734320-X	



LED SCHEMATIC	
POSITION 2	POSITION 1
GREEN	GREEN
9+ -> -10	11+ -> -12
	YELLOW
FOR 4-1734320-X	



RECOMMENDED PCB LAYOUT  
 TOLERANCE: ±0.05 (TOP VIEW)

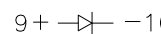
- NOTE:
- MATERIAL:  
 HOUSING: PA46, WITH 30% GF.  
 UL 94V-0, BLACK COLOR.  
 CONTACTS: PHOSPHOR BRONZE.  
 SHELL: BRASS.  
 LED SOLDER TAIL: STEEL.
  - FINISH:  
 CONTACTS: (SEE TABLE) GOLD PLATED ON CONTACT AREA,  
 GOLD PLATED ON SOLDER TAIL,  
 WITH ENTIRE CONTACT UNDERPLATED  
 1.27µm [50µ"] MIN. NICKEL.  
 SHELL: 0.508µm [20µ"] MIN. NICKEL PLATED.  
 LED SOLDER TAIL: 2.159µm [85µ"] MIN. TIN PLATED.
  - RECOMMENDED PCB THICKNESS: 1.6mm.
  - WAVE SOLDER CAPABLE TO 265°C PER TE SPEC 109-202, CONDITION B.
- △ OBSOLETE PARTS: OBSOLETE CIS STREAMLINING PER D.RENAUD/D.SINISI

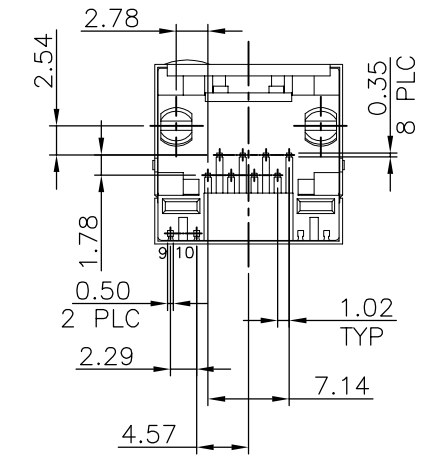
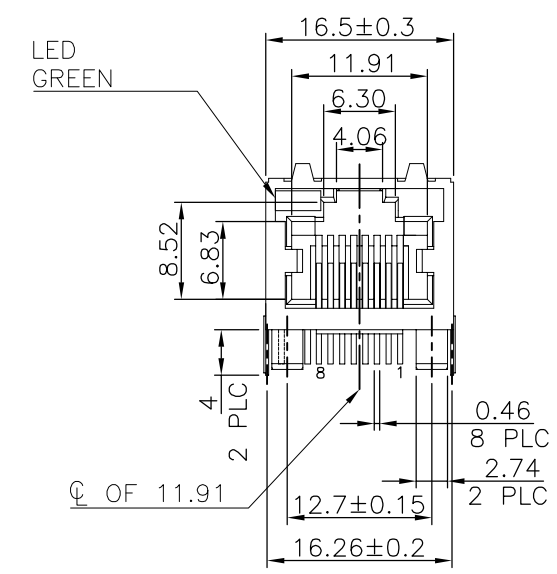
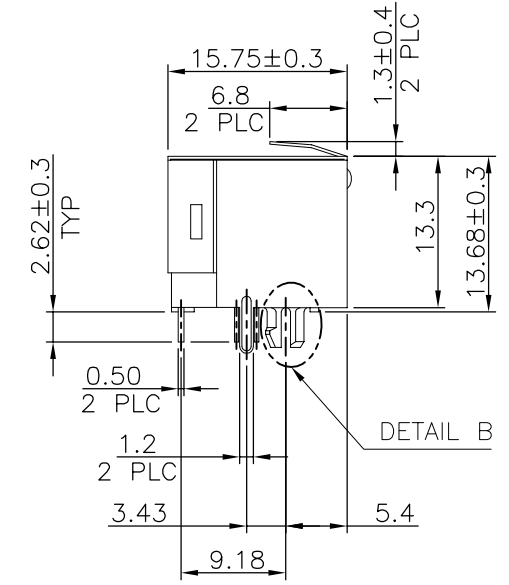
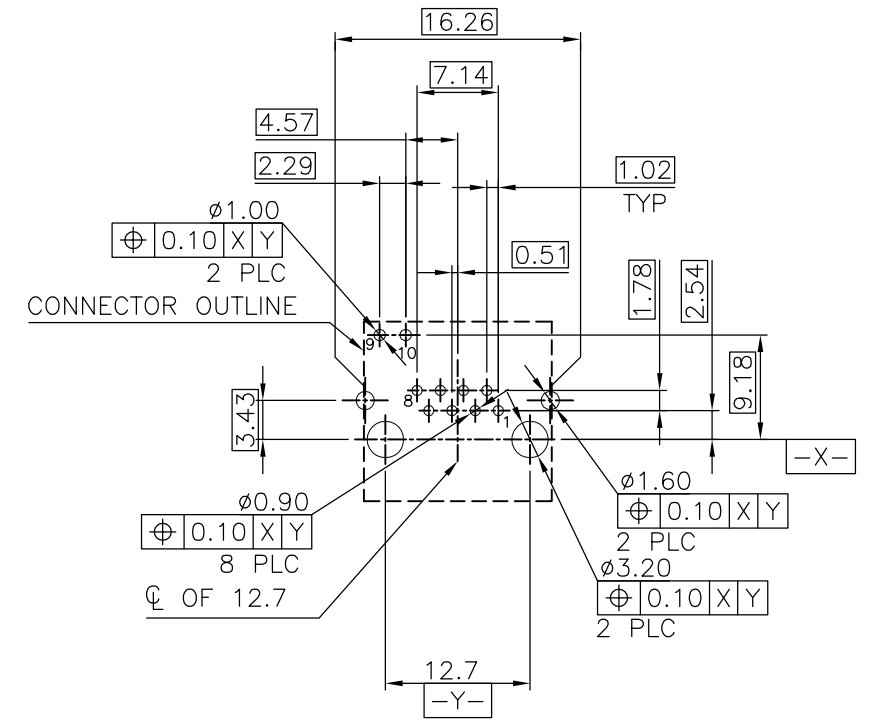
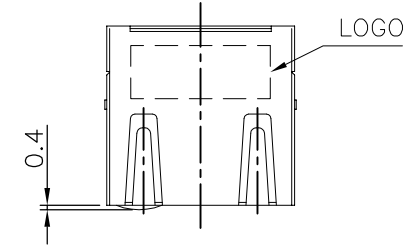
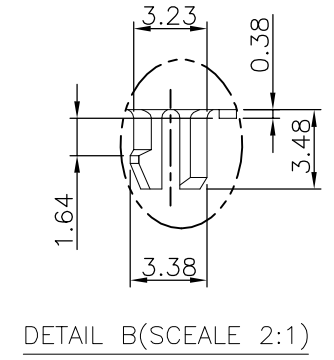
5 OBSOLETE	GREEN	GREEN/ YELLOW	1.27µm [50µ"]	4=1734320=4
			0.762µm [30µ"]	4=1734320=3
			0.381µm [15µ"]	4=1734320=2
5 OBSOLETE	YELLOW	GREEN	0.152µm [6µ"]	4=1734320=1
			1.27µm [50µ"]	1=1734320=4
			0.762µm [30µ"]	1=1734320=3
5 OBSOLETE	GREEN	YELLOW	0.381µm [15µ"]	1=1734320=2
			0.152µm [6µ"]	1=1734320=1
			1.27µm [50µ"]	1734320=4
5 OBSOLETE	GREEN	YELLOW	0.762µm [30µ"]	1734320=3
			0.381µm [15µ"]	1734320=2
			0.152µm [6µ"]	1734320=1
POSITION 2		POSITION 1	MIN. GOLD THICKNESS	PART NUMBER
INDICATOR COLOR				


THIS DRAWING IS A CONTROLLED DOCUMENT.		DWN	B. HSING	09JUN2009	 TE Connectivity
		CHK	S. CHIEN	09JUN2009	
		APVD	W. KODAMA	09JUN2009	
		PRODUCT SPEC	108-57535		
		APPLICATION SPEC	NAME		
DIMENSIONS: mm		TOLERANCES UNLESS OTHERWISE SPECIFIED:		MODULAR JACK CONNECTOR RJ45, SINGLE PORT, SIDE ENTRY, DIP TYPE	
		0 PLC ± - 1 PLC ± 0.3 2 PLC ± 0.2 3 PLC ± 0.15 4 PLC ± - ANGLES ± 3°		SIZE A3 CAGE CODE 00779 DRAWING NO. C=1734320 RESTRICTED TO	
MATERIAL SEE NOTE		FINISH SEE NOTE		WEIGHT 4.95 GRAMS	
				CUSTOMER DRAWING	
				SCALE - SHEET 1 OF 6 REV B4	


THIS DRAWING IS UNPUBLISHED. RELEASED FOR PUBLICATION  
 © COPYRIGHT 2011 BY TYCO ELECTRONICS CORPORATION. ALL RIGHTS RESERVED.

LOC	DIST	REVISIONS					
DW		P	LTR	DESCRIPTION	DATE	DWN	APVD
				SEE SHEET 1.			

LED SCHEMATIC
GREEN
9+  -10



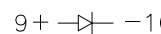
- NOTE:
- MATERIAL:  
HOUSING: PA46, WITH 30% GF.  
UL 94V-0, BLACK COLOR.  
CONTACTS: PHOSPHOR BRONZE.  
SHELL: BRASS.  
LED SOLDER TAIL: STEEL.
  - FINISH:  
CONTACTS: (SEE TABLE) GOLD PLATED ON CONTACT AREA,  
GOLD PLATED ON SOLDER TAIL,  
WITH ENTIRE CONTACT UNDERPLATED  
1.27µm [50µ"] MIN. NICKEL.  
SHELL: 0.508µm [20µ"] MIN. NICKEL PLATED.  
LED SOLDER TAIL: 2.159µm [85µ"] MIN. TIN PLATED.
  - RECOMMENDED PCB THICKNESS: 1.6mm.
  - WAVE SOLDER CAPABLE TO 265°C PER TE SPEC 109-202, CONDITION B.
-  OBSOLETE PARTS: OBSOLETE CIS STREAMLINING PER D.RENAUD/D.SINISI

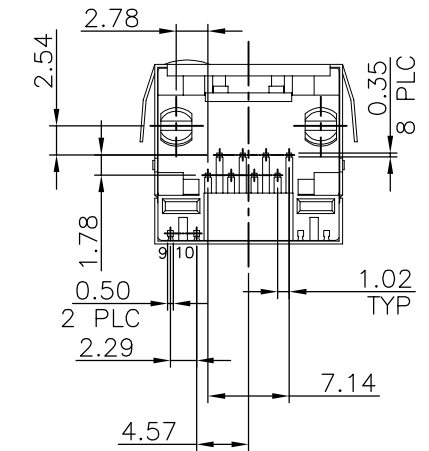
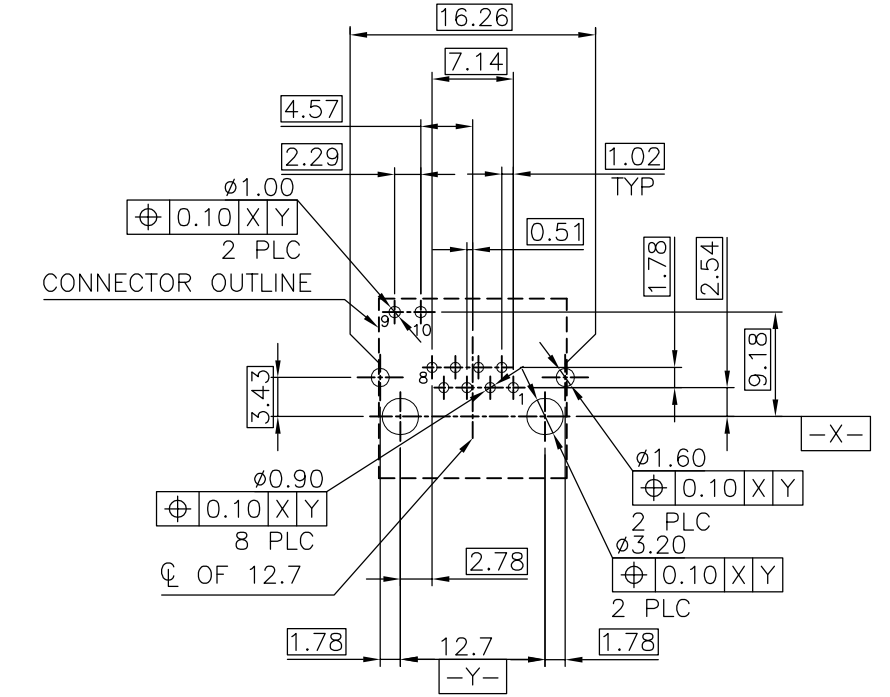
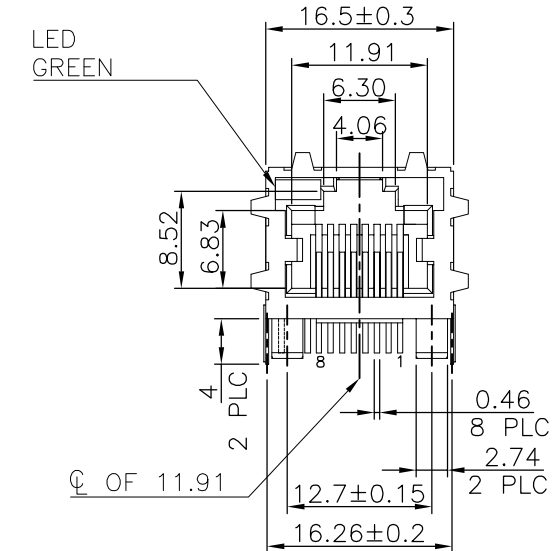
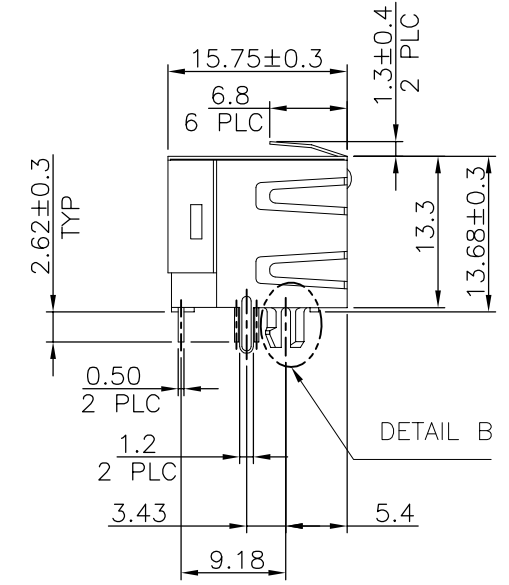
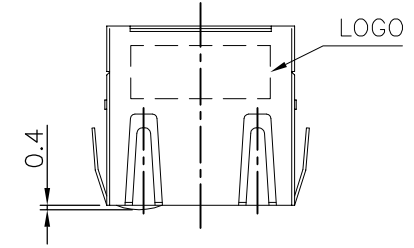
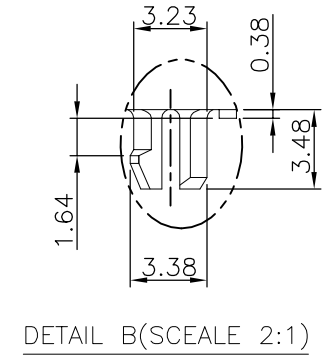
	1.27µm [50µ"]	2=1734320=4
	0.762µm [30µ"]	2=1734320=3
	0.381µm [15µ"]	2=1734320=2
	0.152µm [6µ"]	2=1734320=1
	MIN. GOLD THICKNESS	PART NUMBER

THIS DRAWING IS A CONTROLLED DOCUMENT.		DWN	TE Connectivity	
DIMENSIONS: mm		CHK	NAME	
TOLERANCES UNLESS OTHERWISE SPECIFIED:		APVD	MODULAR JACK CONNECTOR RJ45, SINGLE PORT, SIDE ENTRY, DIP TYPE	
0 PLC ± -		PRODUCT SPEC	SIZE	CAGE CODE
1 PLC ± 0.3		APPLICATION SPEC	A3	00779
2 PLC ± 0.2		WEIGHT	DRAWING NO	C=1734320
3 PLC ± 0.15		CUSTOMER DRAWING	RESTRICTED TO	
4 PLC ± -			SCALE	SHEET
ANGLES ± 3'			-	2 OF 6
MATERIAL	FINISH			REV B4

THIS DRAWING IS UNPUBLISHED. RELEASED FOR PUBLICATION  
 © COPYRIGHT 2011 BY TYCO ELECTRONICS CORPORATION. ALL RIGHTS RESERVED.

LOC	DIST	REVISIONS			
P	LTR	DESCRIPTION	DATE	DWN	APVD
DW		SEE SHEET 1.			


LED SCHEMATIC
GREEN
9+  -10



NOTE:

- MATERIAL:  
HOUSING: PA46, WITH 30% GF.  
UL 94V-0, BLACK COLOR.  
CONTACTS: PHOSPHOR BRONZE.  
SHELL: BRASS.  
LED SOLDER TAIL: STEEL.
  - FINISH:  
CONTACTS: (SEE TABLE) GOLD PLATED ON CONTACT AREA,  
GOLD PLATED ON SOLDER TAIL,  
WITH ENTIRE CONTACT UNDERPLATED  
1.27µm [50µ"] MIN. NICKEL.  
SHELL: 0.508µm [20µ"] MIN. NICKEL PLATED.  
LED SOLDER TAIL: 2.159µm [85µ"] MIN. TIN PLATED.
  - RECOMMENDED PCB THICKNESS: 1.6mm.
  - WAVE SOLDER CAPABLE TO 265°C PER TE SPEC 109-202, CONDITION B.
- ⚠️ OBSOLETE PARTS: OBSOLETE CIS STREAMLINING PER D.RENAUD/D.SINISI

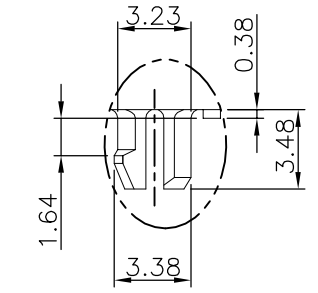
⚠️ OBSOLETE	1.27µm [50µ"]	3-1734320-4
	0.762µm [30µ"]	3-1734320-3
	0.381µm [15µ"]	3-1734320-2
⚠️ OBSOLETE	0.152µm [6µ"]	3-1734320-1
	MIN. GOLD THICKNESS	PART NUMBER

THIS DRAWING IS A CONTROLLED DOCUMENT.		DWN		 TE Connectivity	
DIMENSIONS: mm		CHK			
TOLERANCES UNLESS OTHERWISE SPECIFIED:		APVD		NAME	
0 PLC ± - 1 PLC ± 0.3 2 PLC ± 0.2 3 PLC ± 0.15 4 PLC ± - ANGLES ± 3°		PRODUCT SPEC		MODULAR JACK CONNECTOR RJ45, SINGLE PORT, SIDE ENTRY, DIP TYPE	
MATERIAL		APPLICATION SPEC		SIZE	RESTRICTED TO
FINISH		WEIGHT		A3	
		CUSTOMER DRAWING		CAGE CODE	DRAWING NO
				00779	C-1734320
		SCALE		SHEET	REV
				3 OF 6	B4

THIS DRAWING IS UNPUBLISHED. RELEASED FOR PUBLICATION  
 © COPYRIGHT 2011 BY TYCO ELECTRONICS CORPORATION. ALL RIGHTS RESERVED.

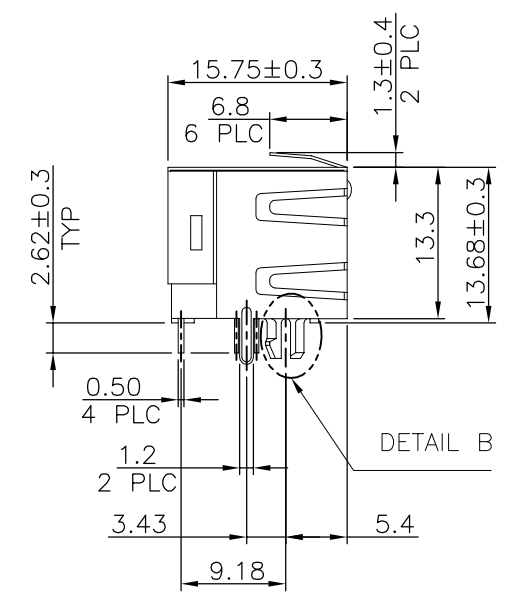
LOC	DIST	REVISIONS			
P	LTR	DESCRIPTION	DATE	DWN	APVD
DW	/	SEE SHEET 1.			

LED SCHEMATIC	
POSITION 2	POSITION 1
GREEN	YELLOW
9+ -> -10	11+ -> -12
FOR 3-1734320-5	

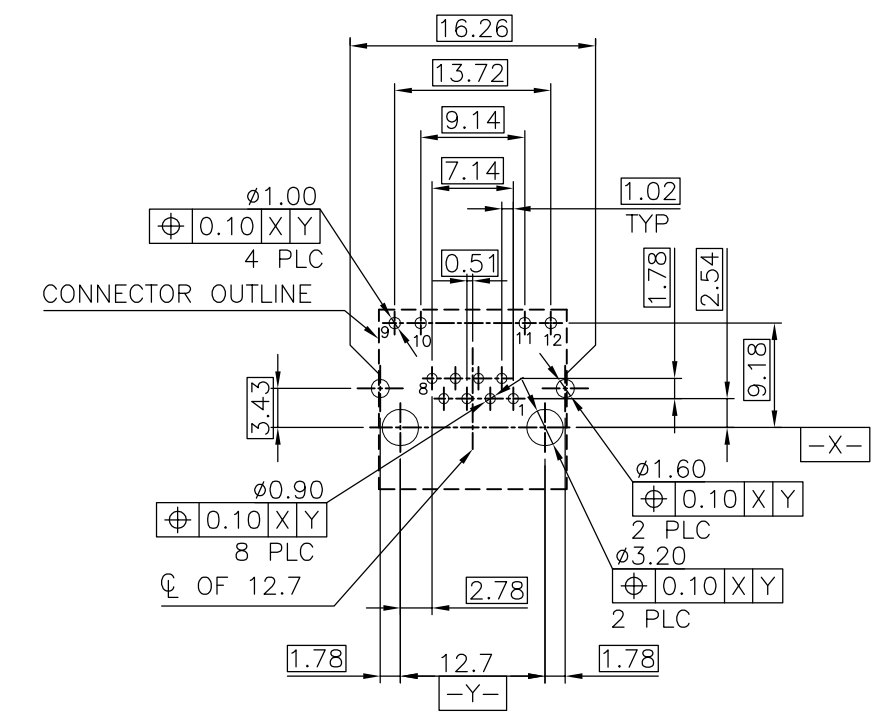
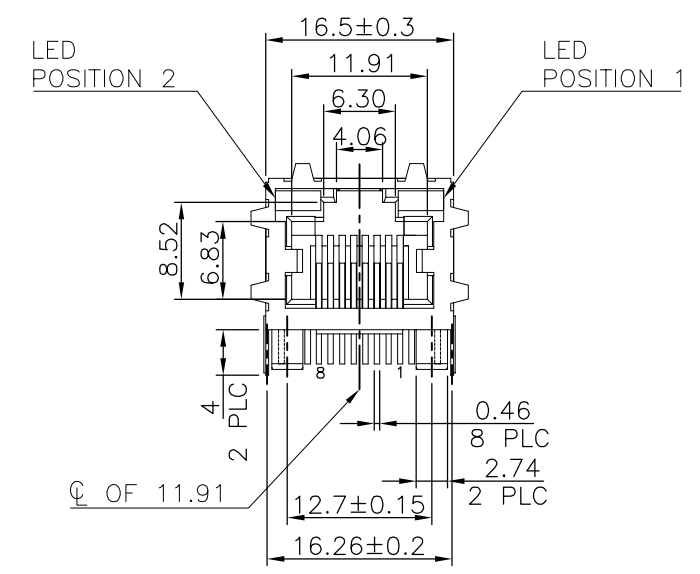
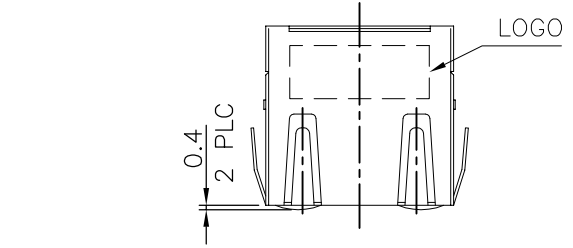


DETAIL B(SCEALE 2:1)

LED SCHEMATIC	
POSITION 2	POSITION 1
GREEN	GREEN
9+ -> -10	11+ -> -12
FOR 3-1734320-6	



DETAIL B



RECOMMENDED PCB LAYOUT  
 TOLERANCE: ±0.05 (TOP VIEW)

NOTE:

- MATERIAL:  
 HOUSING: PA46, WITH 30% GF.  
 UL 94V-0, BLACK COLOR.  
 CONTACTS: PHOSPHOR BRONZE.  
 SHELL: BRASS.  
 LED SOLDER TAIL: STEEL.
  - FINISH:  
 CONTACTS: (SEE TABLE) GOLD PLATED ON CONTACT AREA,  
 GOLD PLATED ON SOLDER TAIL,  
 WITH ENTIRE CONTACT UNDERPLATED  
 1.27µm [50µ"] MIN. NICKEL.  
 SHELL: 0.508µm [20µ"] MIN. NICKEL PLATED.  
 LED SOLDER TAIL: 2.159µm [85µ"] MIN. TIN PLATED.
  - RECOMMENDED PCB THICKNESS: 1.6mm.
  - WAVE SOLDER CAPABLE TO 265°C PER TE SPEC 109-202, CONDITION B.
- ⚠ OBSOLETE PARTS: OBSOLETE CIS STREAMLINING PER D.RENAUD/D.SINISI

⚠ OBSOLETE	GREEN	GREEN	0.762µm [30µ"]	3-1734320-6
	GREEN	YELLOW		3-1734320-5
	POSITION 2 POSITION 1 INDICATOR COLOR		MIN. GOLD THICKNESS	PART NUMBER

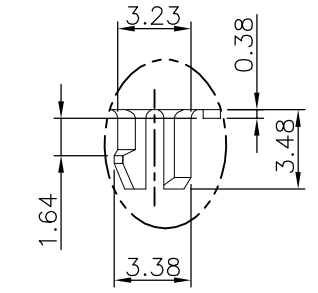
THIS DRAWING IS A CONTROLLED DOCUMENT.		DWN	TE Connectivity			
DIMENSIONS: mm		CHK				
TOLERANCES UNLESS OTHERWISE SPECIFIED:		APVD	NAME			
0 PLC ± - 1 PLC ± 0.3 2 PLC ± 0.2 3 PLC ± 0.15 4 PLC ± - ANGLES ± 3°		PRODUCT SPEC	MODULAR JACK CONNECTOR RJ45, SINGLE PORT, SIDE ENTRY, DIP TYPE			
MATERIAL		APPLICATION SPEC	SIZE	CAGE CODE	DRAWING NO	RESTRICTED TO
FINISH		WEIGHT	A3	00779	C=1734320	
		CUSTOMER DRAWING	SCALE	SHEET	4 OF 6	REV B4

THIS DRAWING IS UNPUBLISHED. RELEASED FOR PUBLICATION  
 © COPYRIGHT 2011 BY TYCO ELECTRONICS CORPORATION. ALL RIGHTS RESERVED.

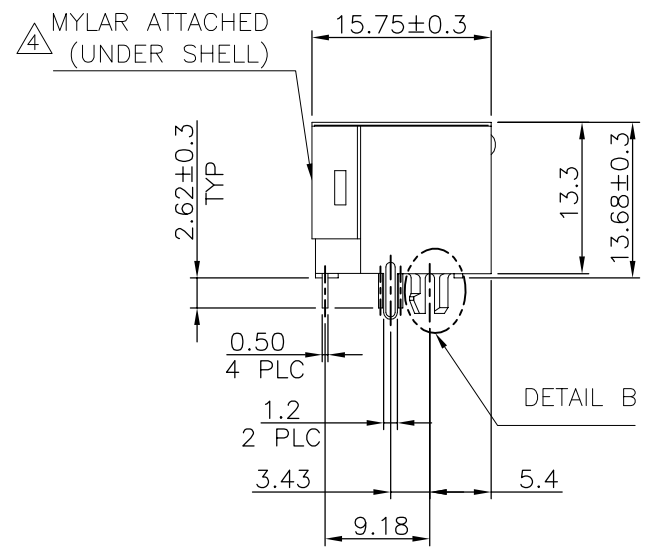
LOC	DIST	REVISIONS			
P	LTR	DESCRIPTION	DATE	DWN	APVD
DW		SEE SHEET 1.			

LED SCHEMATIC	
POSITION 2	POSITION 1
GREEN	YELLOW
9+ $\rightarrow$ -10	11+ $\rightarrow$ -12
FOR 5-1734320-1~4	

LED SCHEMATIC	
POSITION 2	POSITION 1
YELLOW	GREEN
9+ $\rightarrow$ -10	11+ $\rightarrow$ -12
FOR 5-1734320-5~8	

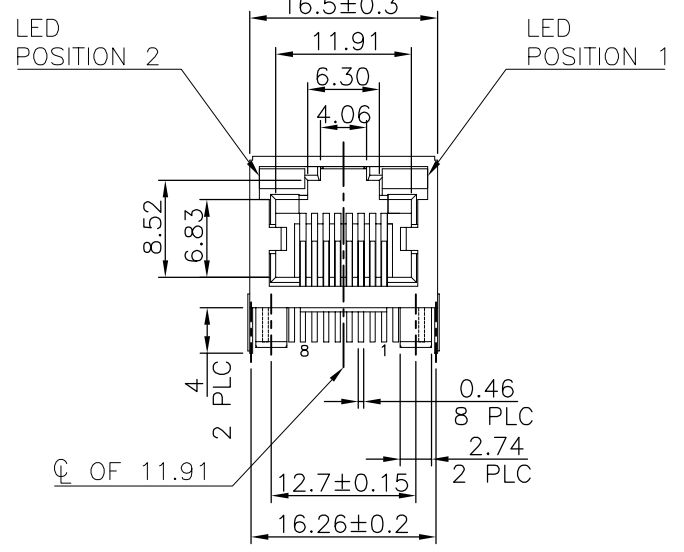
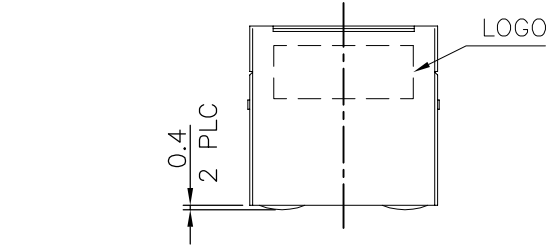


DETAIL B (SCALE 2:1)



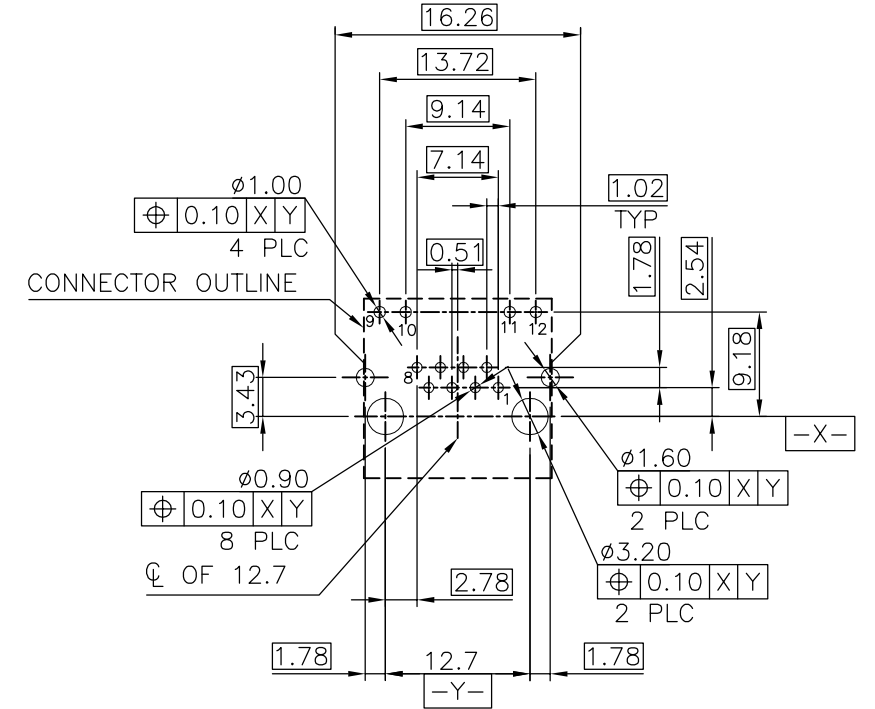
MYLAR ATTACHED (UNDER SHELL)

DETAIL B



LED POSITION 2

LED POSITION 1



RECOMMENDED PCB LAYOUT  
TOLERANCE: ±0.05 (TOP VIEW)

NOTE:

- MATERIAL:  
HOUSING: PA46, WITH 30% GF.  
UL 94V-0, BLACK COLOR.  
CONTACTS: PHOSPHOR BRONZE.  
SHELL: BRASS.  
LED SOLDER TAIL: STEEL.  
MYLAR: SILICONE POLYMER.
- FINISH:  
CONTACTS: (SEE TABLE) GOLD PLATED ON CONTACT AREA,  
GOLD PLATED ON SOLDER TAIL,  
WITH ENTIRE CONTACT UNDERPLATED  
1.27µm [50µ"] MIN. NICKEL.  
SHELL: 0.508µm [20µ"] MIN. NICKEL PLATED.  
LED SOLDER TAIL: 2.159µm [85µ"] MIN. TIN PLATED.
- RECOMMENDED PCB THICKNESS: 1.6mm.
- MYLAR ATTACHED UNDER SHELL.
- WAVE SOLDER CAPABLE TO 265°C PER TE SPEC 109-202, CONDITION B.

OBSOLETE	YELLOW	GREEN	1.27µm [50µ"]	5-1734320-8
			0.762µm [30µ"]	5-1734320-7
			0.381µm [15µ"]	5-1734320-6
			0.152µm [6µ"]	5-1734320-5
OBSOLETE	GREEN	YELLOW	1.27µm [50µ"]	5-1734320-4
			0.762µm [30µ"]	5-1734320-3
			0.381µm [15µ"]	5-1734320-2
			0.152µm [6µ"]	5-1734320-1
	POSITION 2	POSITION 1	MIN. GOLD THICKNESS	PART NUMBER
	INDICATOR COLOR			

THIS DRAWING IS A CONTROLLED DOCUMENT.		DWN	TE Connectivity		
DIMENSIONS: mm		CHK	NAME		
TOLERANCES UNLESS OTHERWISE SPECIFIED:		APVD	MODULAR JACK CONNECTOR RJ45, SINGLE PORT, SIDE ENTRY, DIP TYPE		
0 PLC ± -		PRODUCT SPEC	SIZE	CAGE CODE	DRAWING NO
1 PLC ± 0.3		APPLICATION SPEC	A3	00779	C=1734320
2 PLC ± 0.2		WEIGHT	RESTRICTED TO		
3 PLC ± 0.15		CUSTOMER DRAWING	SCALE		
4 PLC ± -			SHEET 5 OF 6		
ANGLES ± 3'			REV B4		
MATERIAL					
FINISH					

4

3

2

1

THIS DRAWING IS UNPUBLISHED.

RELEASED FOR PUBLICATION

---

© COPYRIGHT 2011 BY TYCO ELECTRONICS CORPORATION. ALL RIGHTS RESERVED.

LOC

DIST

REVISIONS

DW

P

LTR

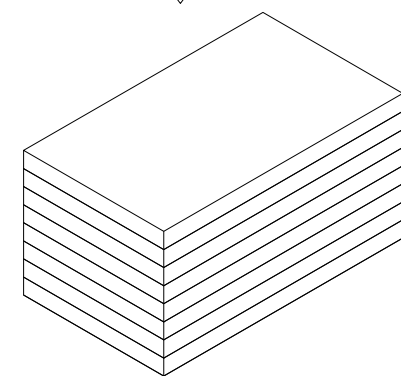
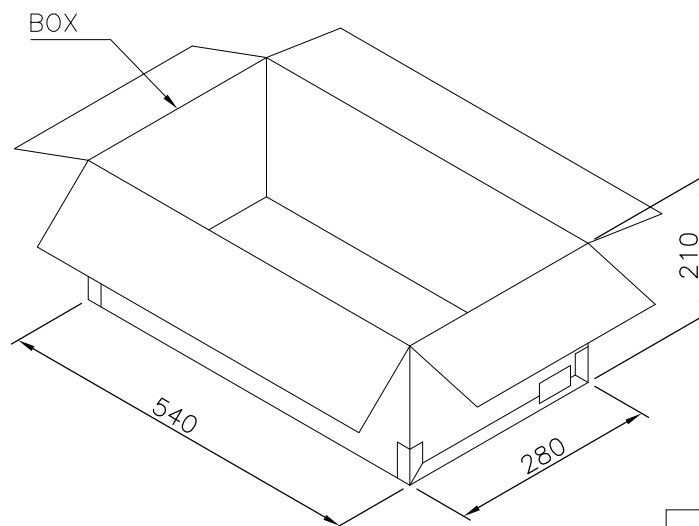
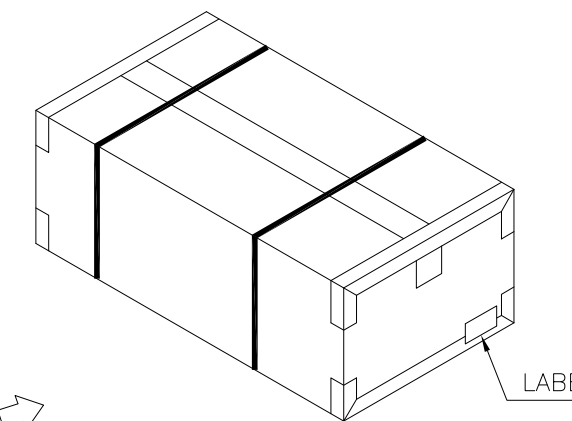
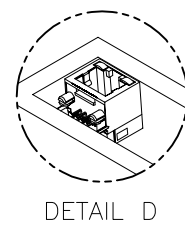
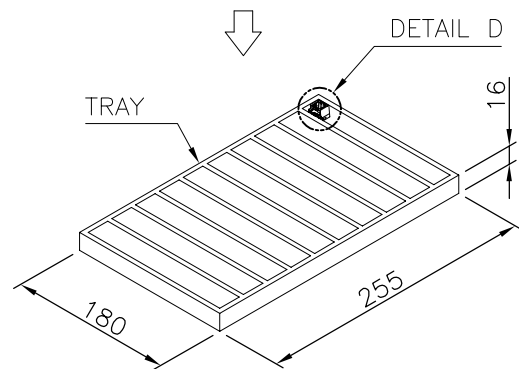
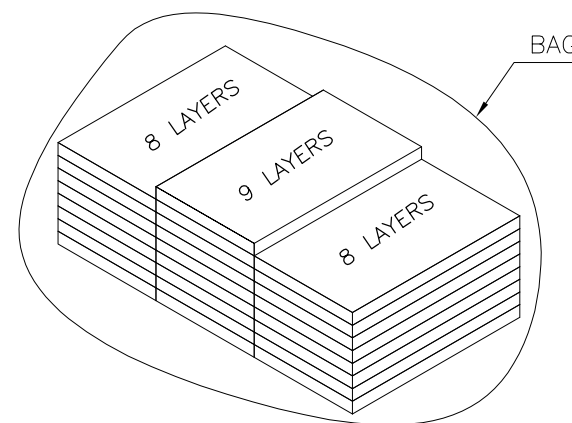
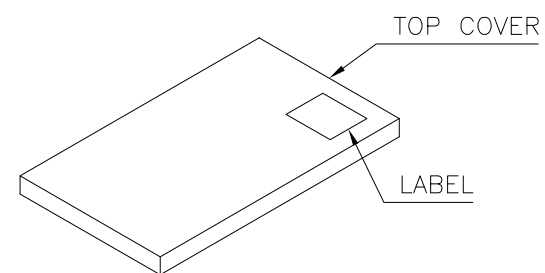
DESCRIPTION

DATE

DWN

APVD

SEE SHEET 1.



13 Kg	11 Kg	90	25	2250 PCS	3-1734320-X
14.4 Kg	12.4 Kg	100	25	2500 PCS	5-1734320-X 4-1734320-X 2-1734320-X 1-1734320-X 1734320-X
GROSS WEIGHT (Ref.)	NET WEIGHT (Ref.)	PCS/TRAY	TRAYS /BOX	QUANTITY	PART NUMBER

THIS DRAWING IS A CONTROLLED DOCUMENT.

DIMENSIONS: mm	TOLERANCES UNLESS OTHERWISE SPECIFIED:	DWN	TE Connectivity NAME MODULAR JACK CONNECTOR RJ45, SINGLE PORT, SIDE ENTRY, DIP TYPE
	0 PLC ± -	CHK	
	1 PLC ± 0.3	APVD	
	2 PLC ± 0.2	PRODUCT SPEC	
MATERIAL	FINISH	APPLICATION SPEC	RESTRICTED TO
		WEIGHT	SIZE CAGE CODE DRAWING NO
		CUSTOMER DRAWING	A3 00779 C-1734320
			SCALE SHEET 6 OF 6 REV B4