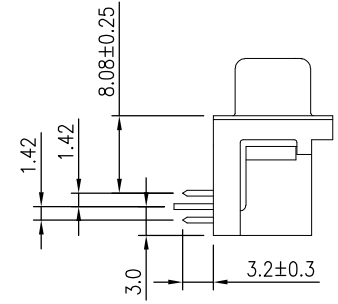
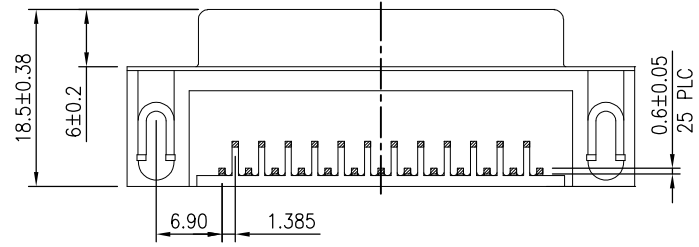
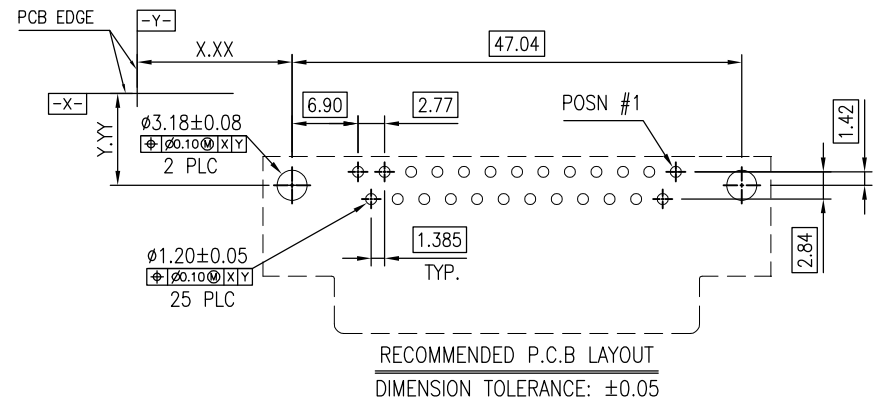
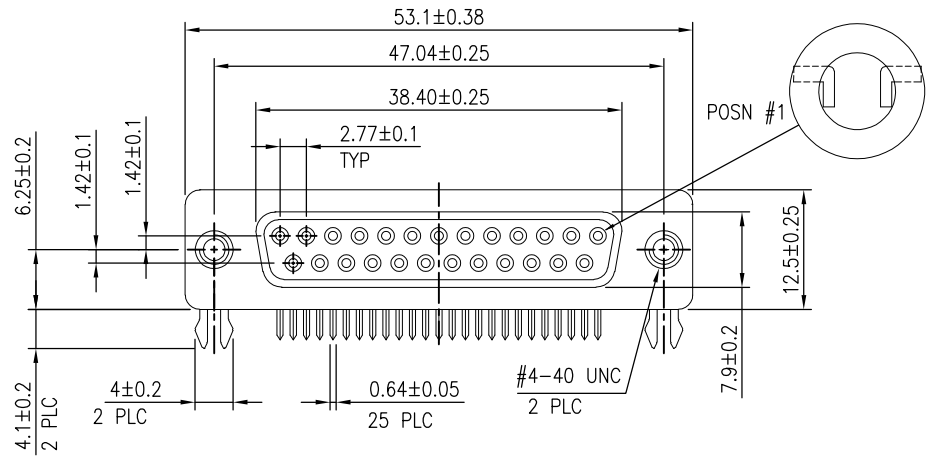
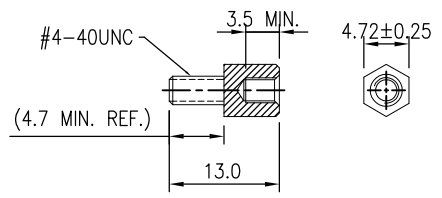
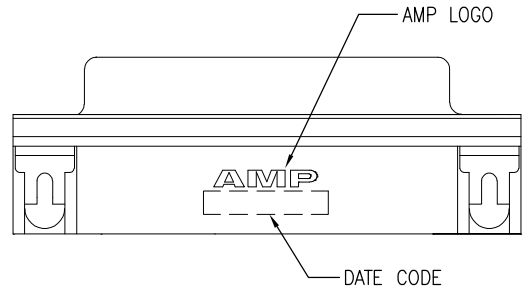
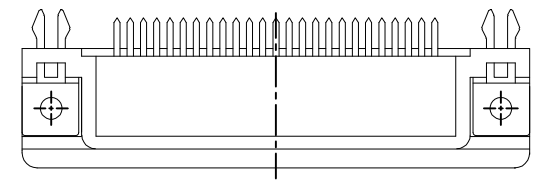


THIS DRAWING IS UNPUBLISHED. RELEASED FOR PUBLICATION
 © COPYRIGHT BY ALL RIGHTS RESERVED.

LOC		DIST		REVISIONS			
P	LTR	DESCRIPTION		DATE	DWN	APVD	
DW		B		REVISED PER ECO-17-013750	16FEB18	AP	DG



- NOTES:
- MATERIAL:
 - HOUSING: PBT OR NY9T, UL 94V-0 RATED, COLOR: SEE TABLE
 - CONTACTS: PHOSPHOR BRONZE
 - SHELL: SPCC
 - BOARDLOCKS: BRASS
 - RIVET: BRASS
 - FINISH:
 - CONTACT:
 - GOLD PLATING ON CONTACT AREA. (SEE TABLE)
 - 100µ" MIN. MATTE TIN PLATING ON SOLDER TAIL AREA,
 - 50µ" MIN. NICKEL UNDERPLATED OVERALL,
 - BOARDLOCK:
 - 100µ" MIN MATTE TIN PLATING
 - 50µ" MIN NICKEL UNDERPLATED OVERALL,
 - SHELL: NICKEL PLATING OVERALL
 - RIVET: NICKEL PLATING OVERALL
 - RECOMMENDED PCB THICKNESS: 1.6 mm
 - WAVE SOLDER CAPABLE TO 265°C,
 PER TE CONNECTIVITY SPEC. 109-202, CONDITION B.
 - THREADED INSERTS MUST WITHSTAND 6 IN-LBS TORQUE.



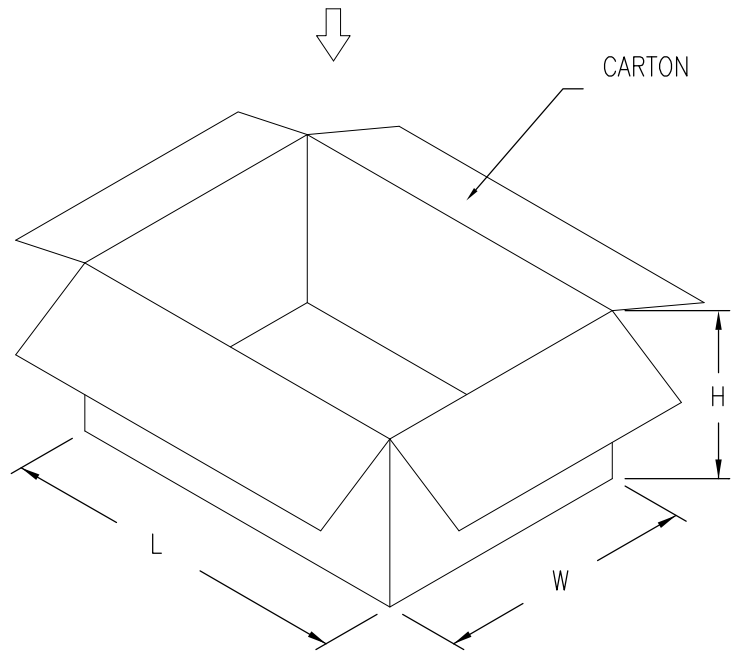
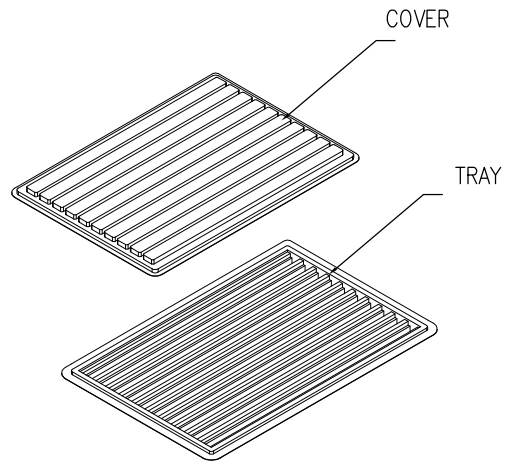
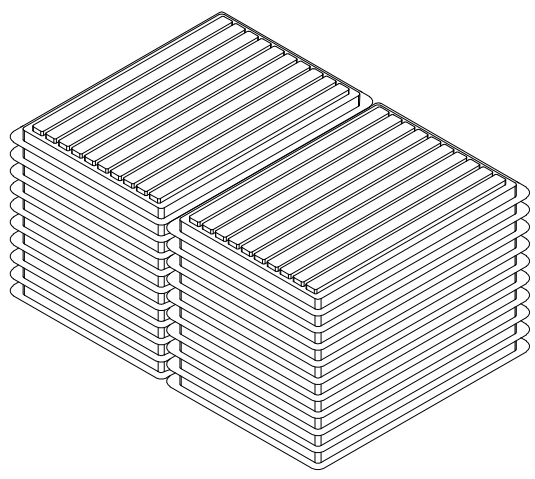
THIS PRODUCT EQUIPPED WITH NO SCREW
 RECOMMENDED OUTSOURCING SCREW TYPE

OBSOLETE	BURGUNDY 235C	NY9T	15µ"	2-	-6
			G/F	2-	-5
BLACK	PBT	NY9T	15µ"	2-	-1
			G/F	2-	-0
PBT	PBT	NY9T	15µ"	1-	-2
			G/F	1-	-1
PBT	PBT	NY9T	15µ"	1-	-2
			G/F	1-	-1
SUPERSEDED BY 2311762-1					
COLOR	HSG MATERIAL	COLD FINISH	PART NO.		

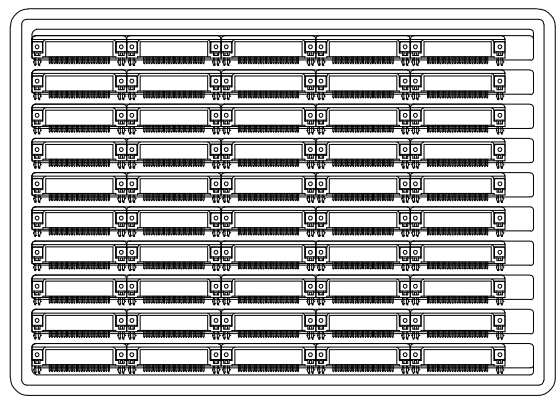
THIS DRAWING IS A CONTROLLED DOCUMENT.		DWN J. LEE 09MAR2007	TE Connectivity AMPLIMITE 8.08mm[0.318in] SERIES, R/A, RCPT, 25 POS		
DIMENSIONS: MM		CHK S. HOU 09MAR2007			
TOLERANCES UNLESS OTHERWISE SPECIFIED:		APVD W.J. KE 09MAR2007	NAME		
0 PLC ± -		PRODUCT SPEC	108-57541		
1 PLC ± 0.38		QUALIFICATION TEST REPORT	501-57623		
2 PLC ± 0.25		WEIGHT	7.0 GRAMS		
3 PLC ± 0.15		CUSTOMER DRAWING	A3 00779 C=1734350		
4 PLC ± -		SCALE	-		
ANGLES ± -		SHEET	1 OF 2		
FINISH SEE NOTE		REV	B		

THIS DRAWING IS UNPUBLISHED. RELEASED FOR PUBLICATION
 © COPYRIGHT - BY - ALL RIGHTS RESERVED.

LOC		DIST		REVISIONS			
P	LTR	DESCRIPTION		DATE	DWN	APVD	
		SEE SHEET 1.					



- NOTES:
- MATERIAL:
 - TRAY: PVC
 - SHIPPING CARTON: CORRUGATED FIBERBOARD
 - DIMENSION:
 - TRAY: L=306, W=217, H=15
 - SHIPPING CARTON: L=440, W=321, H=210
 - QUANTITY:
 - PRIMARY PACKING: 50 PCS/TRAY
 - THIRD PACKING: 20 TRAY/CARTON(1,000PCS)
 - WEIGHT:
 - NET WEIGHT: 7.0 Kg
 - GROSS WEIGHT: 8.0 Kg



THIS DRAWING IS A CONTROLLED DOCUMENT.		DWN	TE Connectivity	
		CHK		
		APVD	NAME	
DIMENSIONS: MM		PRODUCT SPEC	AMPLIMITE 8.08mm[0.318in] SERIES, R/A, RCPT, 25 POS	
TOLERANCES UNLESS OTHERWISE SPECIFIED:		APPLICATION SPEC		
0 PLC ± -		WEIGHT	SIZE	RESTRICTED TO
1 PLC ± -			A3	
2 PLC ± -			00779	
3 PLC ± -			C=1734350	
4 PLC ± -				
ANGLES ± -		CUSTOMER DRAWING	SCALE	SHEET 2 OF 2
FINISH				REV B