

THIS DRAWING IS UNPUBLISHED.

RELEASED FOR PUBLICATION

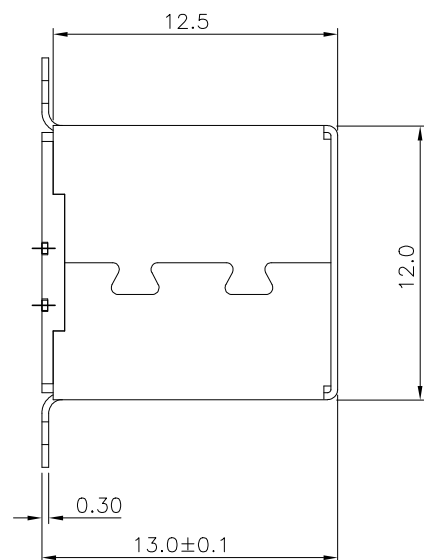
- . - .

REVISIONS

© COPYRIGHT - TE Connectivity Ltd.

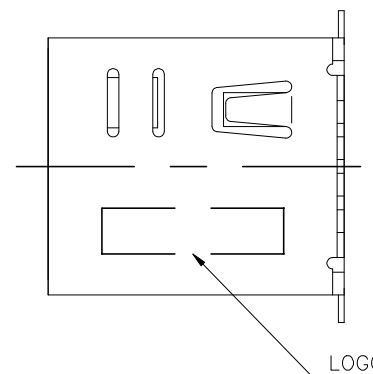
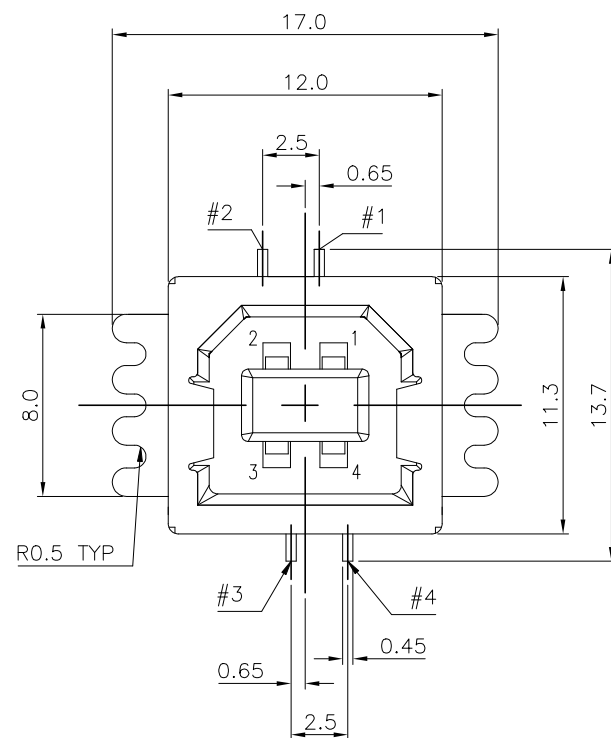
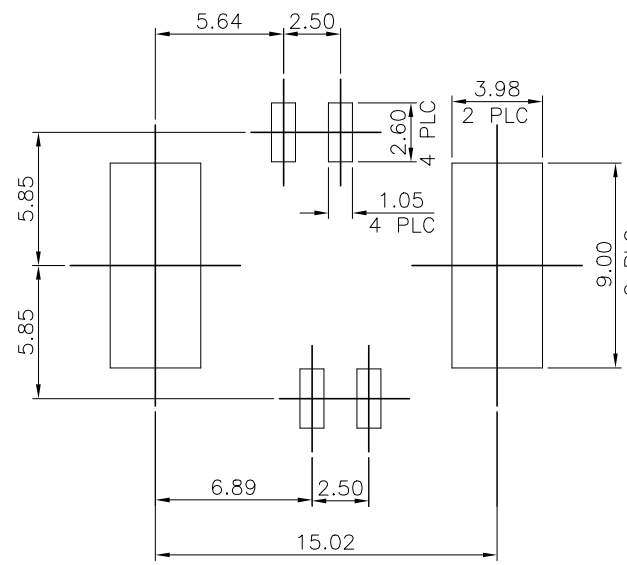
ALL RIGHTS RESERVED.

P	LTR	DESCRIPTION	DATE	DWN	APVD
	B2	ADD NEW P/N 1734517-3	17MAY2019	T.Z	S.L



NOTES :

- MATERIAL:
HOUSING: THERMOPLASTIC, UL 94V-0, COLOR: **SEE PART TABLE**
CONTACT: PHOSPHOR BRONZE, THICKNESS=0.25mm.
SHELL: PHOSPHOR BRONZE, THICKNESS=0.30mm.
- FINISH:
CONTACT: GOLD FLASH OVER
0.762um [30u"] MIN. PALLADIUM-NICKEL PLATING ON CONTACT AREA,
2.54um [100u"] MIN. MATTE-TIN PLATING ON SOLDER TAILS,
1.27um [50u"] MIN. NICKEL UNDERPLATED OVER ALL.
SHELL: 2.54um [100u"] MIN. NICKEL PLATED OVER
1.27um [50u"] MIN. Cu UNDERPLATED.
- REFLOW SOLDER CAPABLE TO 260°C PER TE SPEC 109-201, CONDITION B.



D

D

C

C

B

B

A

A

NATURAL	1734517-3
BLACK	1734517-1
H/S COLOR	PART NUMBER

THIS DRAWING IS A CONTROLLED DOCUMENT.		DWN	20MAR2019	STE TE Connectivity Ltd.	
		CHK	21MAR2019		
DIMENSIONS: mm		TOLERANCES UNLESS OTHERWISE SPECIFIED:		NAME	
		0 PLC ± 0.38		PRODUCT SPEC	
		1 PLC ± 0.25		108-57538	
		2 PLC ± 0.13		APPLICATION SPEC	
		3 PLC ± 0.05		SIZE	
		4 PLC ± -		CAGE CODE	
		ANGLES ± 3'		DRAWING NO	
MATERIAL		FINISH		RESTRICTED TO	
				-	
				WEIGHT	
				0	
				A3 00779 C=1734517	
				CUSTOMER DRAWING	
				SCALE N/A SHEET 1 OF 3 REV B2	

THIS DRAWING IS UNPUBLISHED.

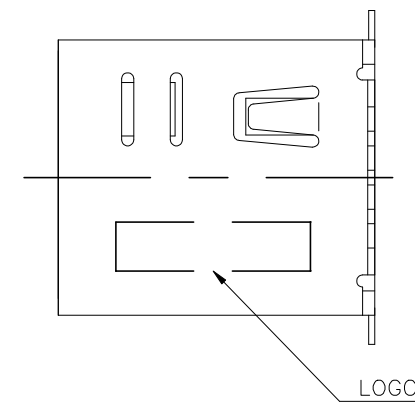
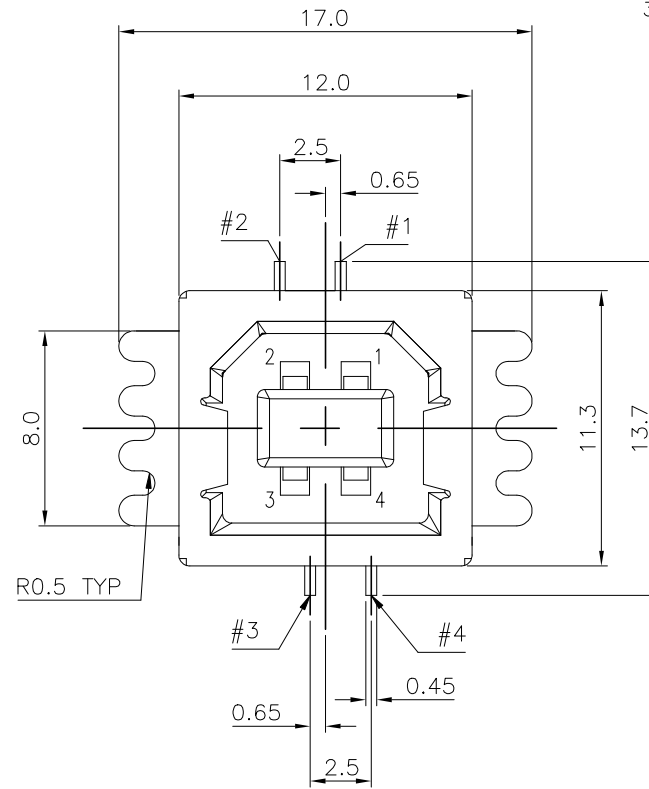
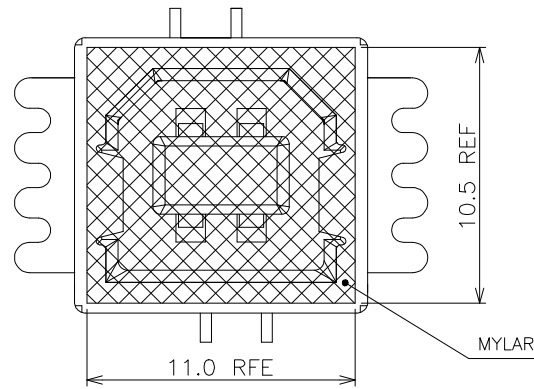
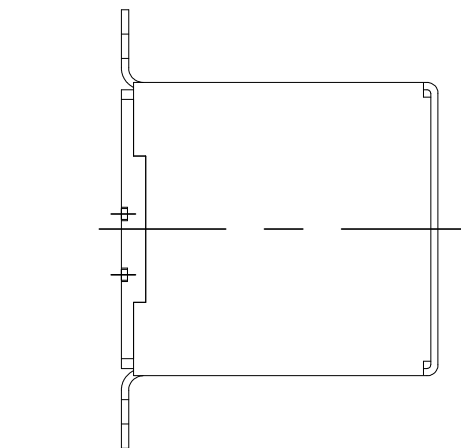
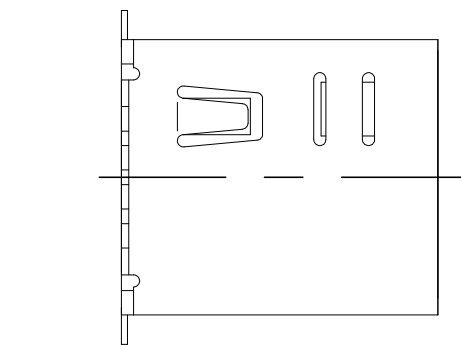
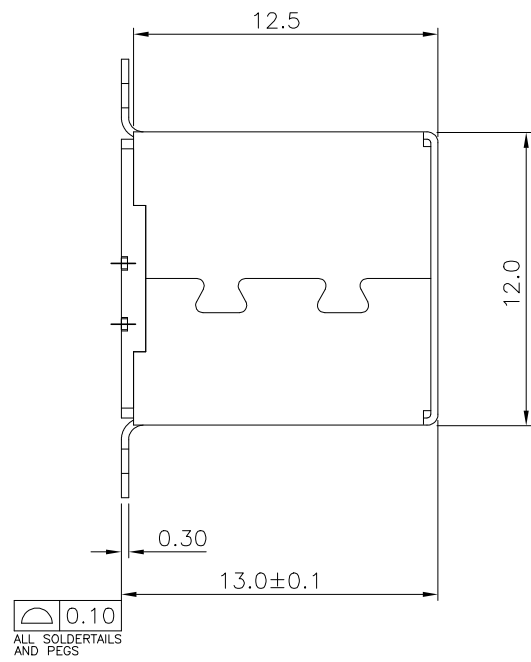
RELEASED FOR PUBLICATION

© COPYRIGHT - TE Connectivity Ltd.

ALL RIGHTS RESERVED.

REVISIONS

P	LTR	DESCRIPTION	DATE	DWN	APVD
-	-	SEE SHEET 1	-	-	-



- NOTES :
- MATERIAL:
 - HOUSING: THERMOPLASTIC, UL 94V-0, COLOR: BLACK.
 - CONTACT: PHOSPHOR BRONZE, THICKNESS=0.25mm.
 - SHELL: PHOSPHOR BRONZE, THICKNESS=0.30mm.
 - MYLAR: POLYIMIDE FILM ADHESIVE TAPE, T=0.35MM (HIGH TEMPERATURE-RESISTANT RANGE: 255°C TO 260°C, 5-10S)
 - FINISH:
 - CONTACT: GOLD FLASH OVER 0.762um [30u"] MIN. PALLADIUM-NICKEL PLATING ON CONTACT AREA, 2.54um [100u"] MIN. MATTE-TIN PLATING ON SOLDER TAILS, 1.27um [50u"] MIN. NICKEL UNDERPLATED OVER ALL.
 - SHELL: 2.54um [100u"] MIN. NICKEL PLATED OVER 1.27um [50u"] MIN. Cu UNDERPLATED.
 - REFLOW SOLDER CAPABLE TO 260°C PER TE SPEC 109-201, CONDITION B.

SHOWN AS: 1734517-2

THIS DRAWING IS A CONTROLLED DOCUMENT.		DWN	20MAR2019	STE TE Connectivity Ltd.			
DIMENSIONS: mm		CHK	-				
TOLERANCES UNLESS OTHERWISE SPECIFIED:		APVD	-	NAME USB B TYPE, TOP ENTRY, 4 POSITION, SMT TYPE			
0 PLC ± -		PRODUCT SPEC	-				
1 PLC ± -		APPLICATION SPEC	-	SIZE	CAGE CODE	DRAWING NO	RESTRICTED TO
2 PLC ± -		WEIGHT	-	A3	00779	1734517	-
3 PLC ± -		CUSTOMER DRAWING		SCALE	N/A	SHEET	2 of 3
4 PLC ± -						REV	B2
ANGLES ± -							
MATERIAL							
FINISH							

THIS DRAWING IS UNPUBLISHED.

RELEASED FOR PUBLICATION

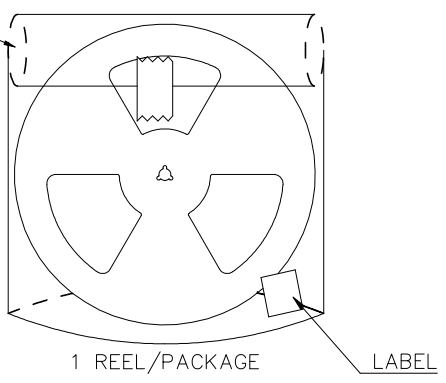
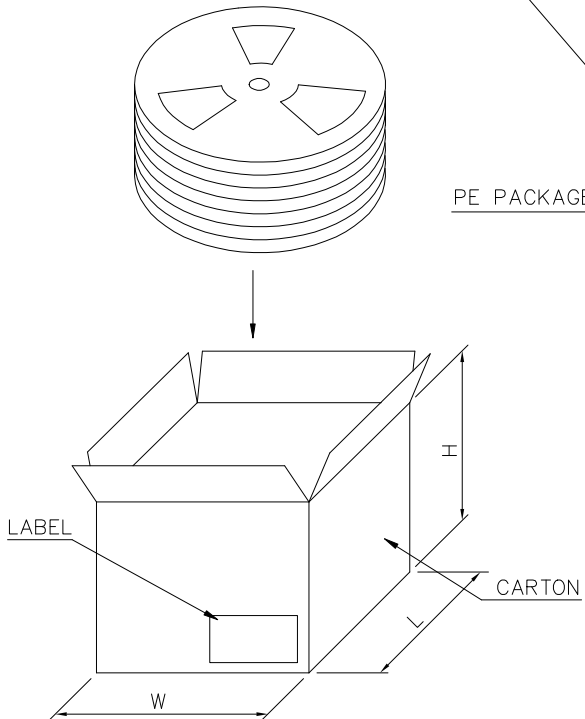
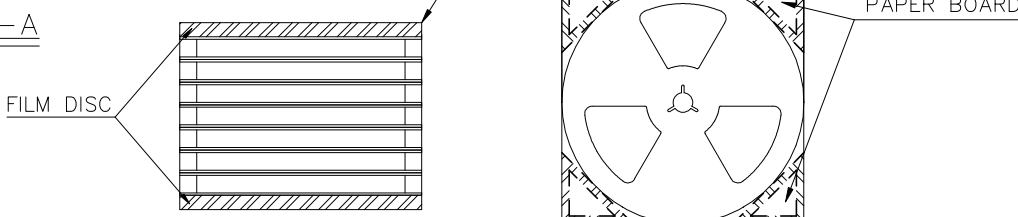
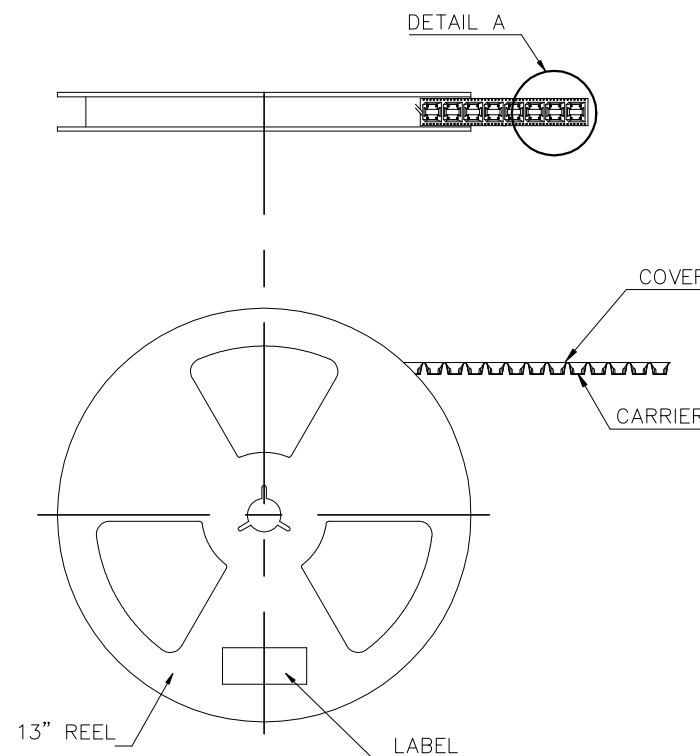
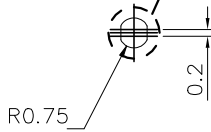
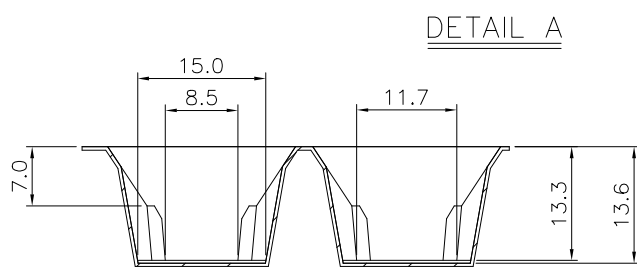
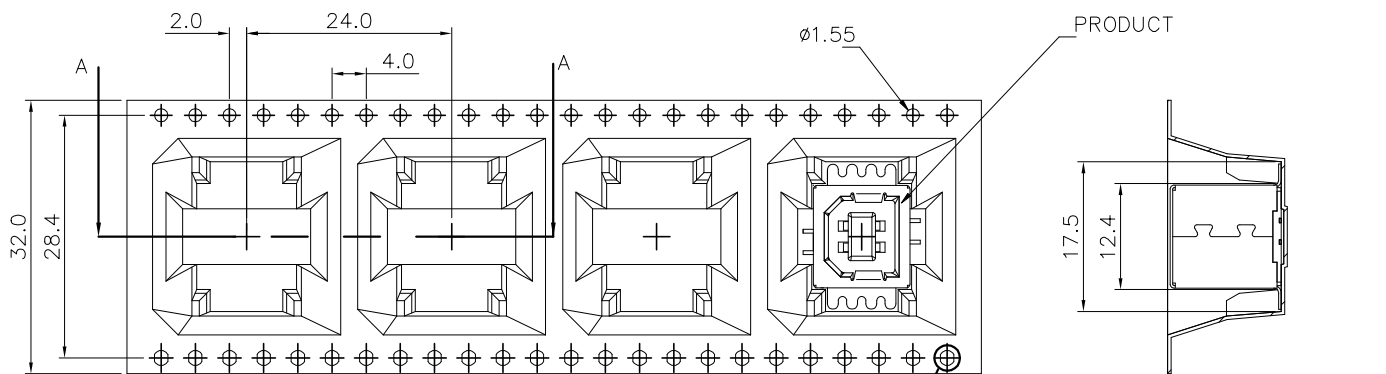
-- --

REVISIONS

© COPYRIGHT - TE Connectivity Ltd.

ALL RIGHTS RESERVED.

P	LTR	DESCRIPTION	DATE	DWN	APVD
-	-	SEE SHEET 1	-	-	-



- NOTES :
- MATERIAL :
 - EMBOSSED CARRIER: PS.
 - COVER: PET.
 - CARTON: K=A.
 - DIMENSION :
 - REEL: W=32.0.
 - CARTON: L=348, W=348, H=340.
 - QUANTITY :
 - PRIMARY PACKING: 200PCS/REEL.
 - SECONDARY PACKING: 8 REEL/CARTON(1,600PCS).
 - WEIGHT :
 - NET WEIGHT: 8.0kg/CARTON.
 - GROSS WEIGHT: 9.0kg/CARTON.
 - PEELING RESISTANCE: 10g~130g.

THIS DRAWING IS A CONTROLLED DOCUMENT.		DWN	20MAR2019		STE TE Connectivity Ltd.
		CHK			
DIMENSIONS: mm		APVD			NAME USB B TYPE, TOP ENTRY, 4 POSITION, SMT TYPE
TOLERANCES UNLESS OTHERWISE SPECIFIED: 0 PLC ± - 1 PLC ± - 2 PLC ± - 3 PLC ± - 4 PLC ± - ANGLES ± -		PRODUCT SPEC			
MATERIAL		APPLICATION SPEC			SIZE
FINISH		WEIGHT	A3 00779 C=1734517		CAGE CODE
		CUSTOMER DRAWING	SCALE N/A		DRAWING NO
			SHEET 3 OF 3		RESTRICTED TO
			REV B2		