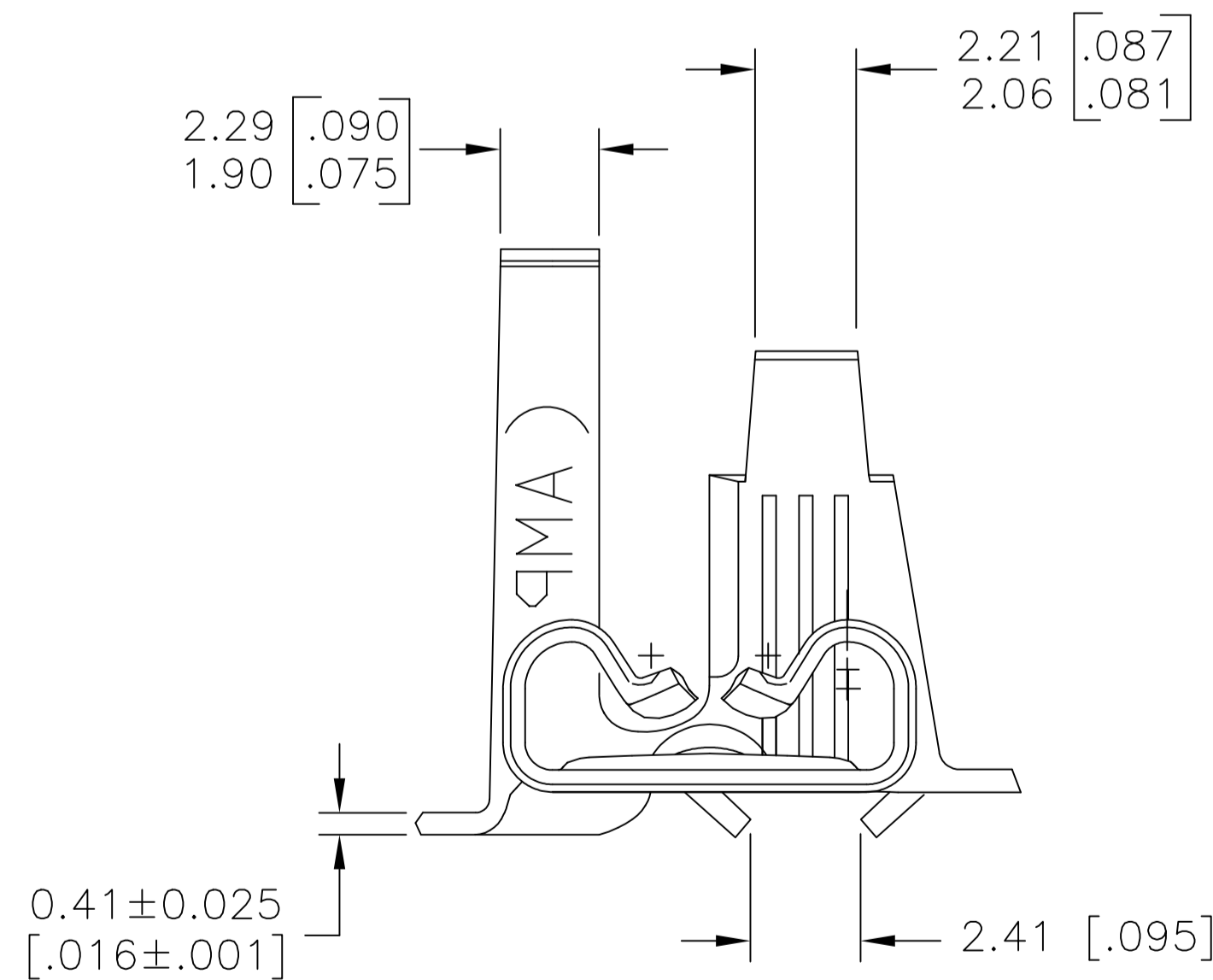
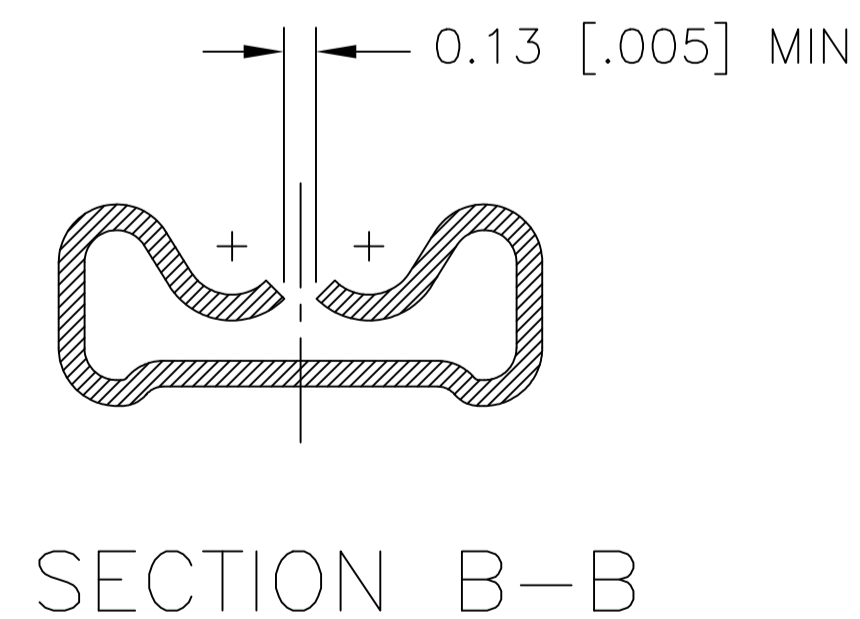
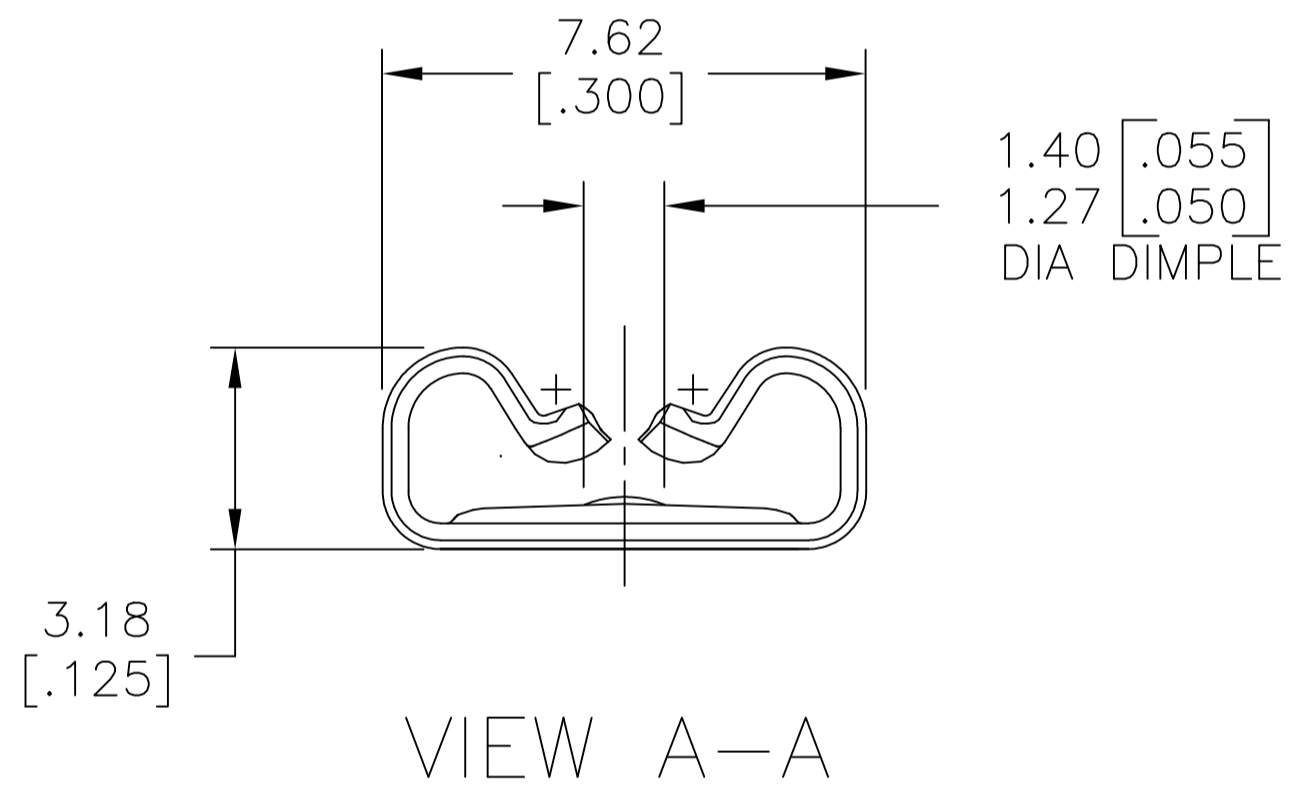
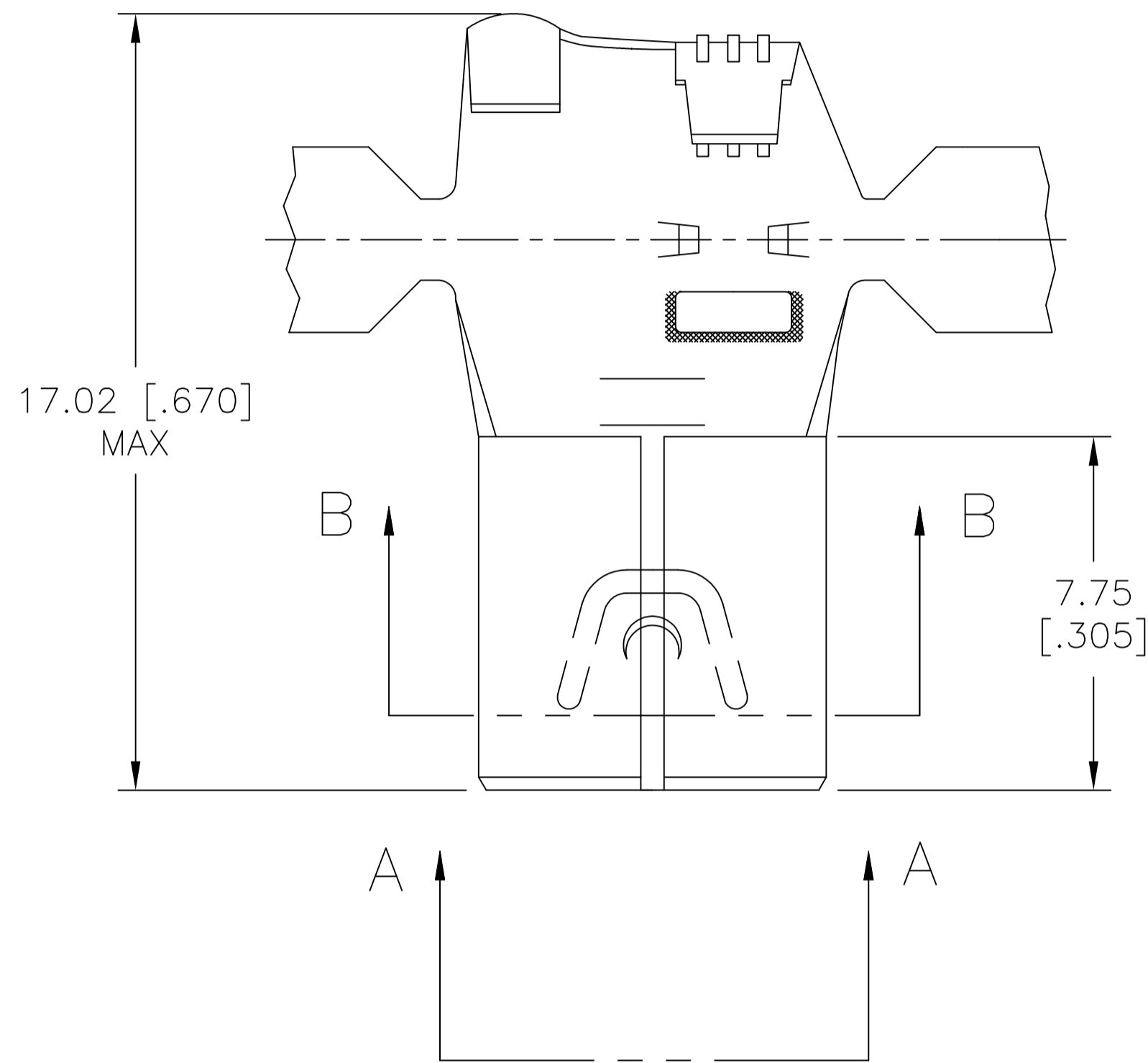


THIS DRAWING IS UNPUBLISHED. RELEASED FOR PUBLICATION  
 © COPYRIGHT - By - ALL RIGHTS RESERVED.

REVISIONS					
P	LTR	DESCRIPTION	DATE	DWN	APVD
	A11	REVISED PER ECR-18-004893	02MAY2018	BDA	DH

- 1 CONTINUOUS STRIP ON REELS
- 2 WIRE SIZE: SINGLE 18-12, 2-18'S OR 1-18/1-16
- 3 INSULATION RANGE IS 2.29-5.33 [.110-.210] DIA
- 4 MATING TAB THK IS 0.81±0.025 [.032±.001]
- 5 0.00381 [.000150] MIN NICKEL PLATE
- 6 THIS PART DASH # IS UL APPROVED FOR AWG 18-14 ONLY
- 7 REELING ORIENTATION ACCORDING TO TE SPEC. 107-3 FIG. 243
- 8 THIS PART DASH # IS UL APPROVED FOR AWG 18-12
- 9 THIS PART SHARE THE SAME DESIGN WHIT 1742543-1, BUT DIFFERENT IN PACKAGING QUANTY.
- 10 OBSOLETE/SUPERSEDED BY PN 2238197-3



10	NICKEL	CR STEEL	9	1742543-4
	TIN	BRASS	8	1742543-3
5	NICKEL	CR STEEL	6	1742543-1
	FINISH	MATERIAL		PART NO

THIS DRAWING IS A CONTROLLED DOCUMENT.		DWN jr_ruth 29JAN07	TE Connectivity		
DIMENSIONS: mm [INCHES]		CHK P_DESANTIS 26JAN07			
TOLERANCES UNLESS OTHERWISE SPECIFIED:		APVD P_DESANTIS 26JAN07	PRODUCT SPEC		
0 PLC ± - 1 PLC ± - 2 PLC ± - 3 PLC ± 0.25 [.010] 4 PLC ± - 5° ANGLES ± ± 5°		APPLICATION SPEC 114-2078		RESTRICTED TO	
MATERIAL SEE TABLE		WEIGHT		SIZE A2	CAGE CODE 00779
FINISH SEE TABLE		CUSTOMER DRAWING		DRAWING NO C=1742543	SCALE 6:1
				SHEET 1 of 1	REV A11