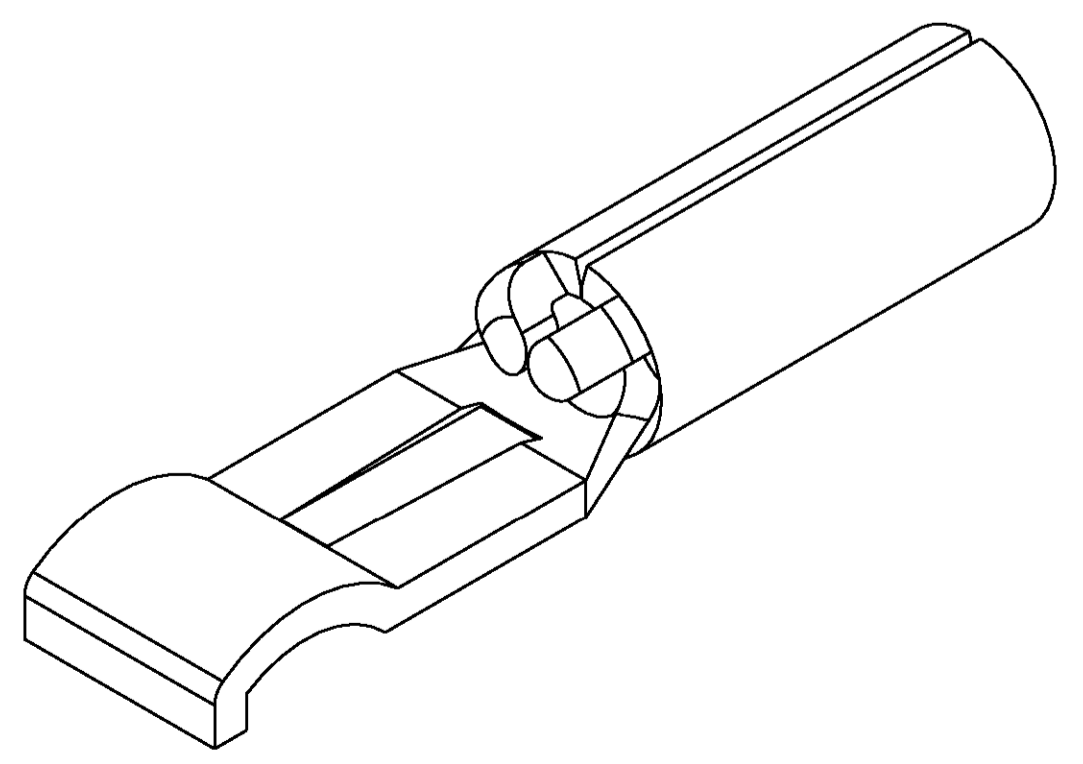
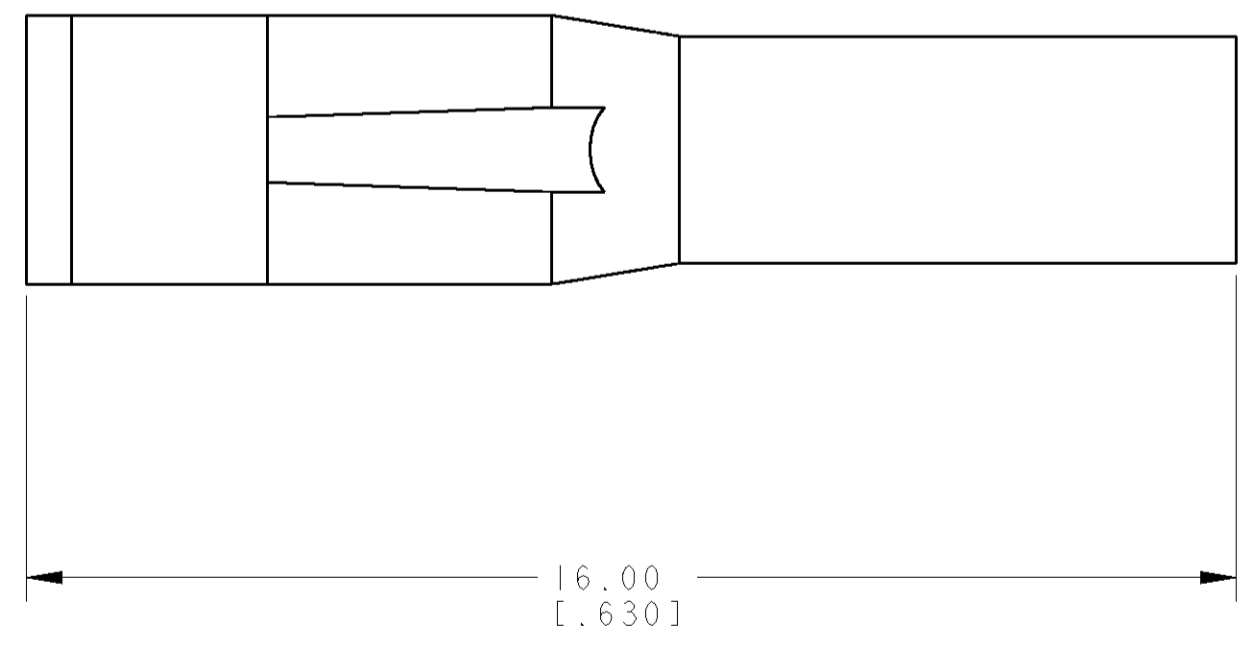
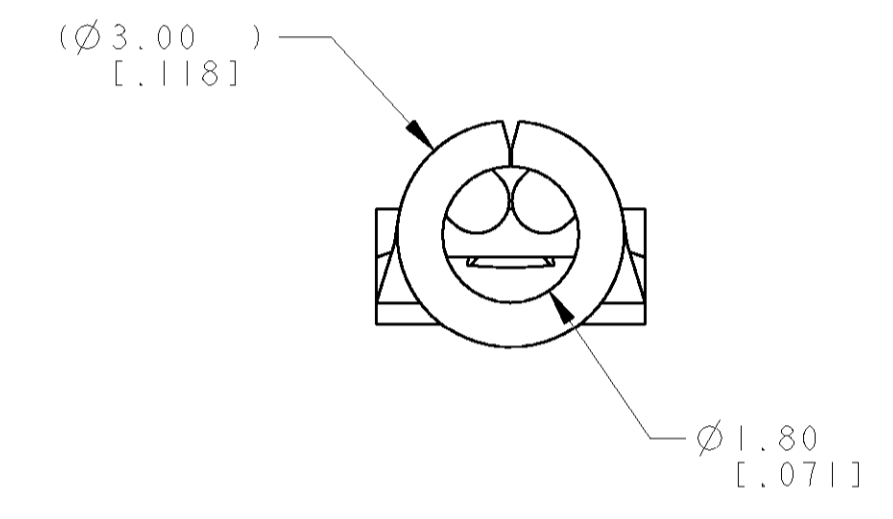
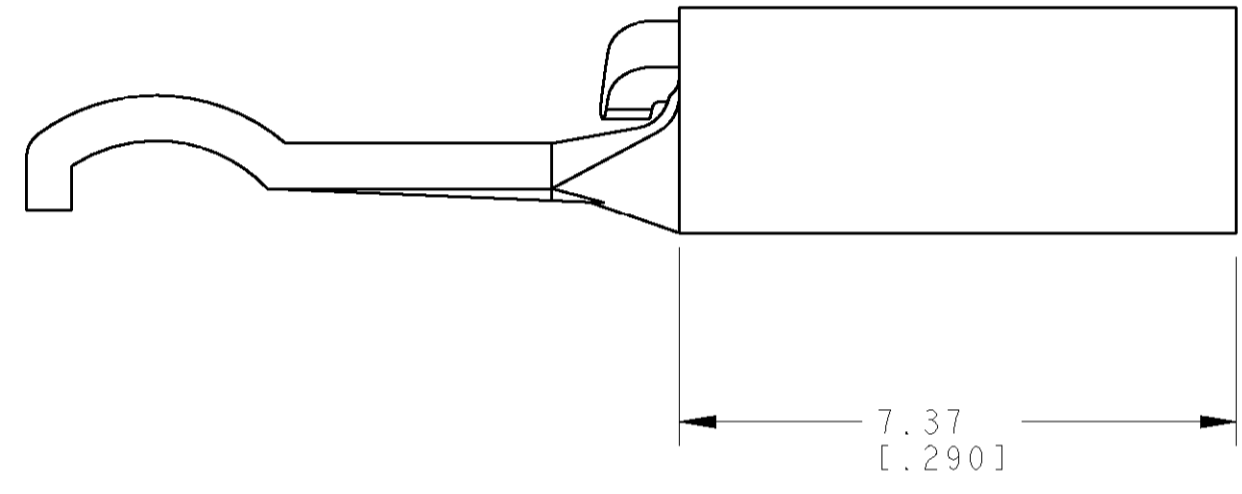
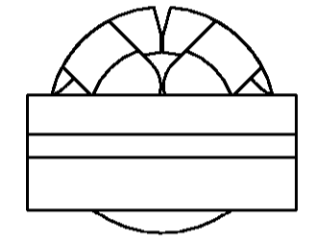
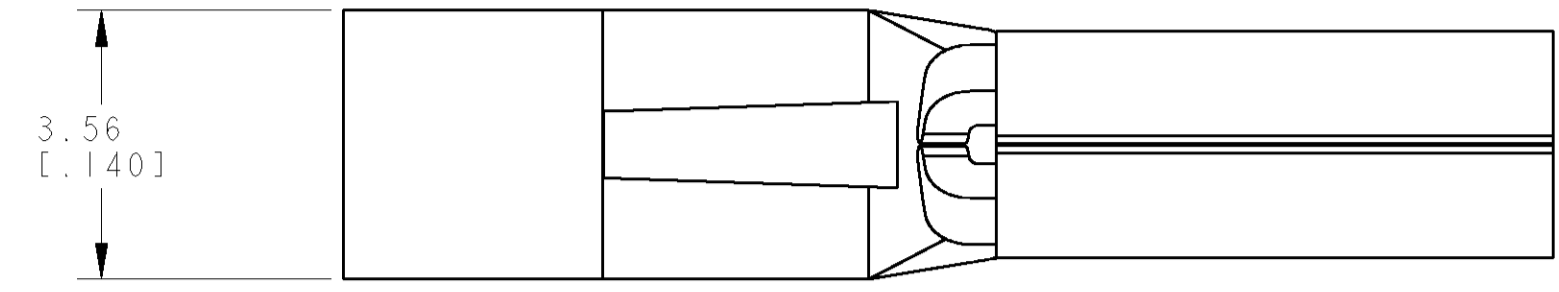


LOC		DIST		REVISIONS			
CM	00	P	LTR	DESCRIPTION	DATE	DWN	APVD
		0		REVISED PER 0638-1032-04	10NOV04	KW	JE



1744042-1
PART NUMBER

METRIC

<small>THE DIMENSIONS IN CONDUCTIVE METALS ARE THE DIMENSIONS OF THE PART AS SUPPLIED UNLESS OTHERWISE SPECIFIED. THIS IS NOT TO BE TAKEN AS A WARRANTY OR GUARANTEE OF PERFORMANCE. CONTACT THE SUPPLIER FOR MORE INFORMATION.</small>		DWN R. WHITAKER 10NOV2004	Tyco Electronics Harrisburg, PA 17105-3608
DIMENSIONS: mm [INCHES]		CHK J. ELLIS 10NOV2004	NAME LOOSE PIECE CONTACT, 16 - 20 AWG, AMP POWER SERIES 15
TOLERANCES UNLESS OTHERWISE SPECIFIED: 0 PLC ± 1 PLC ±0.5 [0.02] 2 PLC ±0.13 [0.005] 3 PLC ± 4 PLC ± ANGLES ±40° 30'		APVD J. ELLIS 10NOV2004	
MATERIAL COPPER		FINISH SILVER	
WEIGHT -		SIZE A 00779 C = 1744042	
CUSTOMER DRAWING		SCALE 10:1 SHEET 1 OF 1 REV 0	