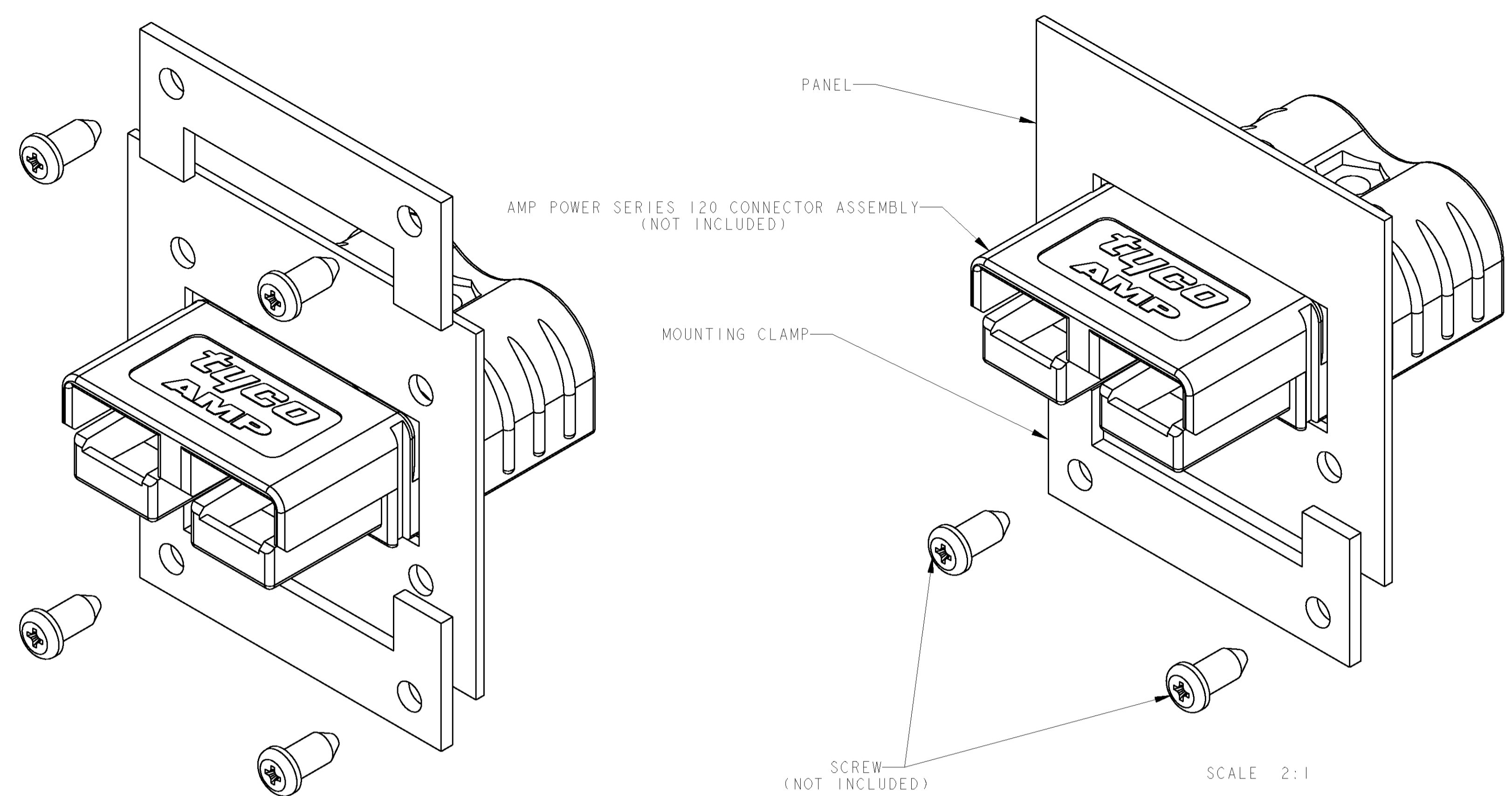
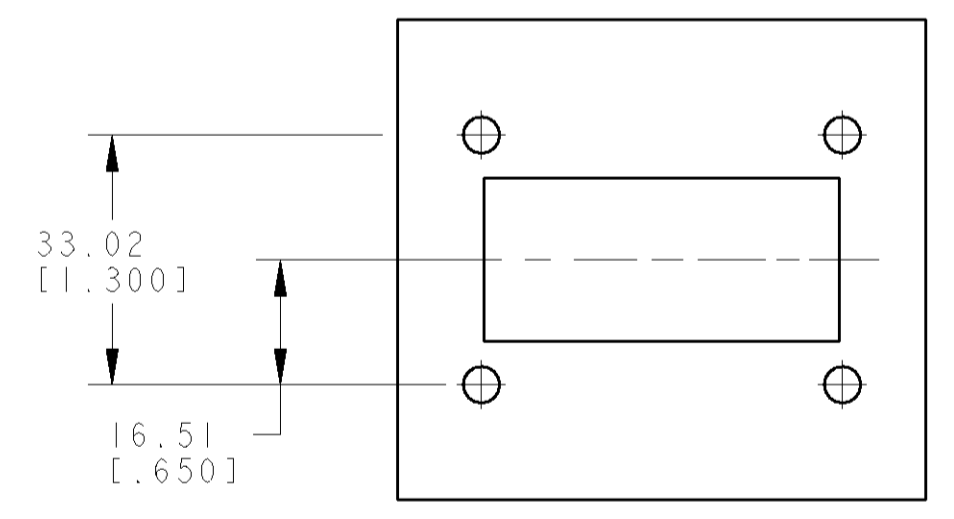


LOC		DIST		REVISIONS			
CM	00	P	LTR	DESCRIPTION	DATE	DWN	APVD
		0		REVISED PER 0638-0920-04	29NOV04	KW	JE

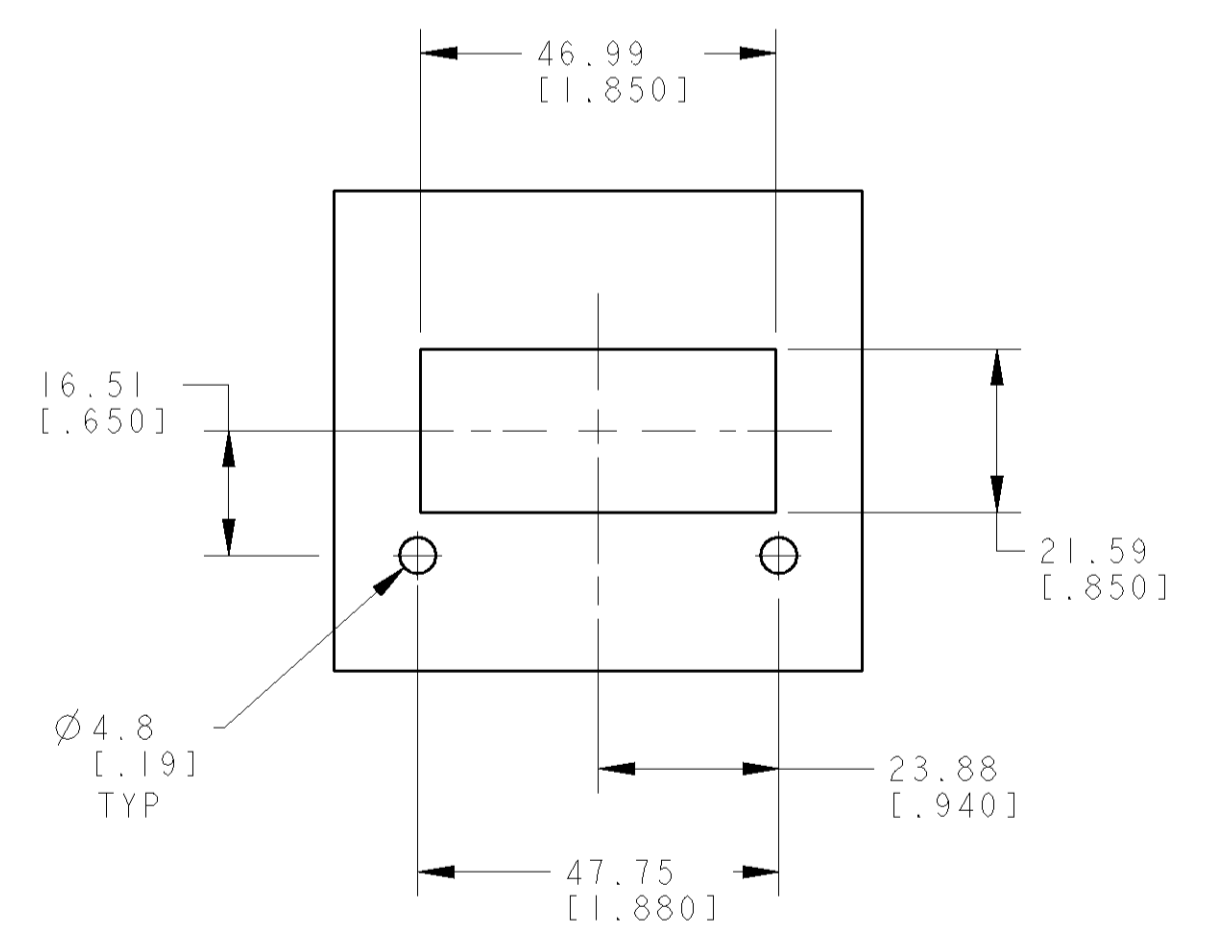


SCALE 2:1

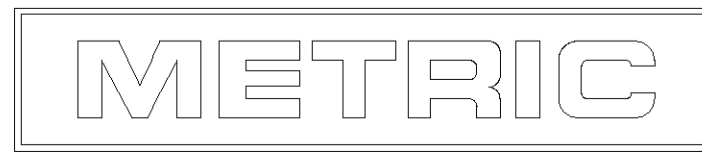
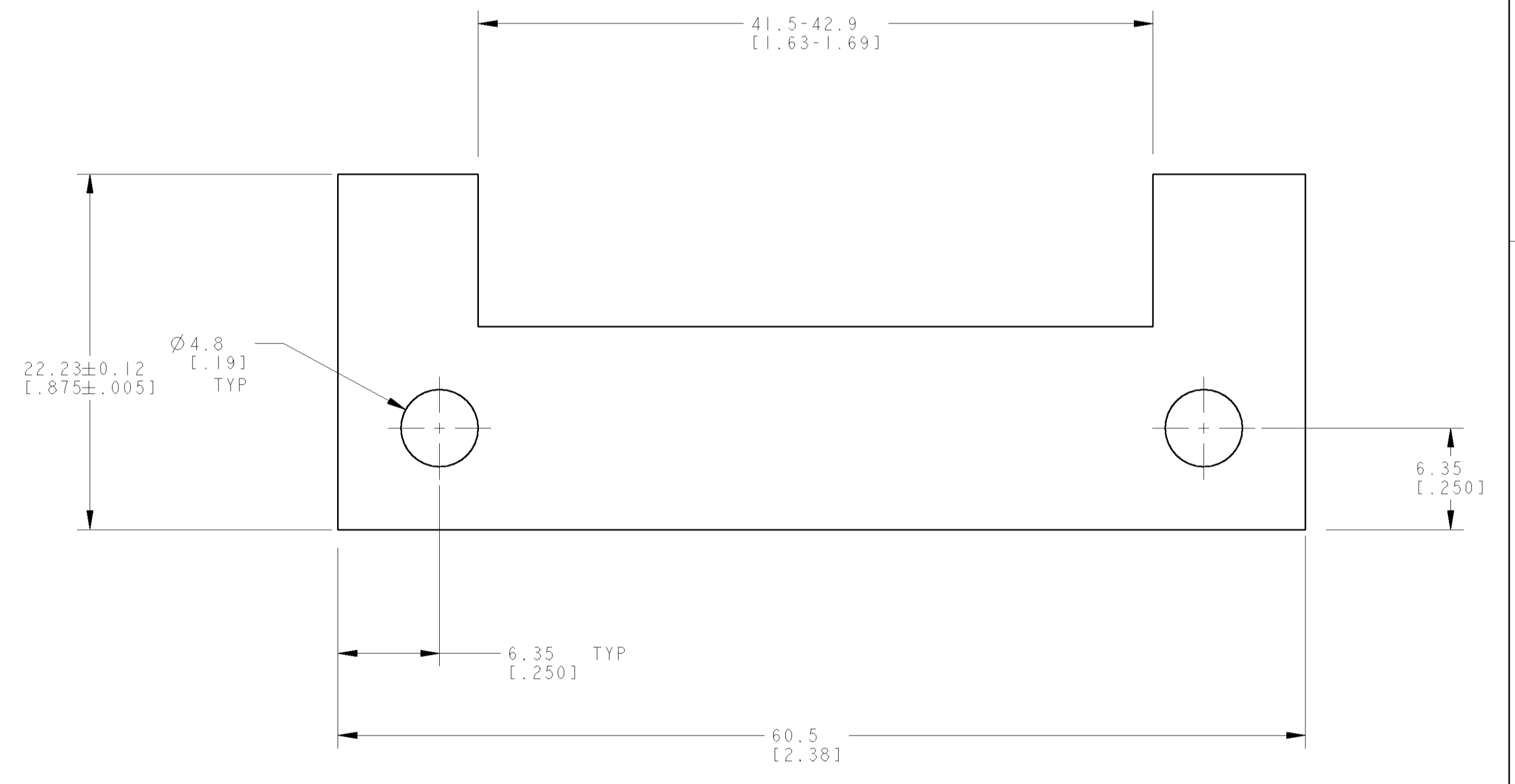
SCALE 2:1



RECOMMENDED PANEL CUT OUT
 (TWO BRACKETS)
 SCALE 1:1



RECOMMENDED PANEL CUT OUT
 (ONE BRACKET)
 SCALE 1:1



1744090-1
 PART NUMBER

DIMENSIONS: mm [INCHES]		TOLERANCES UNLESS OTHERWISE SPECIFIED:		DWN R. WHITAKER 29NOV2004 CHK J. ELLIS 29NOV2004 APVD J. ELLIS 29NOV2004		tyco Electronics Tyco Electronics Harrisburg, PA 17105-3608	
0 PLC ± 1 PLC ± 3 PLC ±0.18 [0.007] 4 PLC ± 5 PLC ±	± ± ± ±	FINISH -	ANGLE ±0°30'	PRODUCT SPEC -	APPLICATION SPEC 114-13108	NAME MOUNTING CLAMP, PANEL AMP POWER SERIES 120, DOUBLE POLE	SIZE CAGE CODE DRAWING NO A 100779 C=1744090
MATERIAL 13 GA (2.29 [0.09]) ALUMINUM				WEIGHT -		CUSTOMER DRAWING	
						RESTRICTED TO -	SCALE 4:1 SHEET 1 OF 1 REV 0